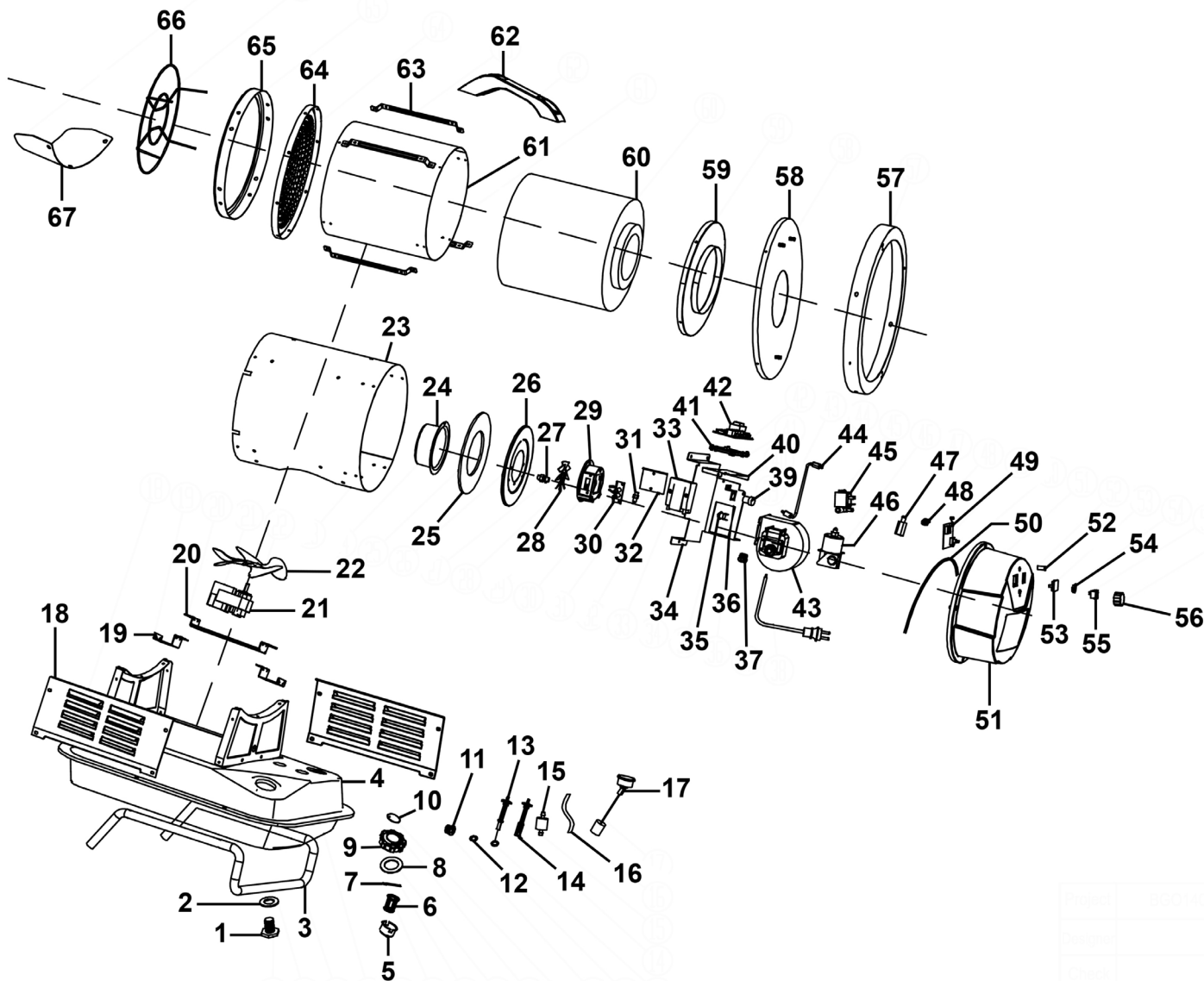




Parts Information:  
**Infrared Space Warmer® Kerosene/Diesel  
 Heater 68,000Btu/hr  
 Model No: IR20.V6**



Item	Part No.	Description	Qty
1	IR37-V6-07	Oil Drain Bolt	1
2	IR37-V6-08	Oil Drain Seal Ring	1
3	IR20-V6-03	Support Frame	1
4	IR20-V6-04	Fuel Tank	1
5	IR37-V6-15	Oil Inlet Filter Holder	1
6	IR37-V6-16	Oil Inlet Filter	1
7	IR37-V6-17	Fuel Tank Cap Shaft	1

Item	Part No.	Description	Qty
8	IR37-V6-18	Fuel Tank Cap Seal	1
9	IR37-V6-19	Fuel Tank Cap Assembly	1
10	IR37-V6-20	Breather Cover	1
11	IR20-V6-11	Cable Grip	1
12	IR20-V6-12	Sealing Ring	1
13	IR20-V6-13	Fuel Filter	1
14	IR20-V6-14	Fuel Filter Assembly	1

**NOTE:** It is our policy to continually improve products and as such we reserve the right to alter data, specifications and component parts without prior notice. There may be alternative versions of this product, please contact us should you require this information.

**IMPORTANT:** No liability is accepted for incorrect use of product. Spare parts must be fitted by a competent person

**WARRANTY:** Guarantee is 12 months from purchase date, proof of which will be required for any claim.

Sealey Group, Kempson Way, Suffolk Business Park, Bury St Edmunds, Suffolk. IP32 7AR



01284 757500



sales@sealey.co.uk



www.sealey.co.uk



Parts Information:  
**Infrared Space Warmer® Kerosene/Diesel  
Heater 68,000Btu/hr  
Model No: IR20.V6**

Item	Part No.	Description	Qty
15	IR20-V6-15	Oil Filter	1
16	IR20-V6-16	Oil Hose	1
17	IR20-V6-17	Oil Leveler	1
18	IR20-V6-18	Side Plate	2
19	IR20-V6-19	Motor Support	2
20	IR20-V6-20	Motor Fixing Bracket	1
21	IR20-V6-21	Motor	1
22	IR20-V6-22	Fan Blade	1
23	IR20-V6-23	Body	1
24	IR20-V6-24	Diffusion Cap	1
25	IR20-V6-25	Plate for Gasket Seal Ring	1
26	IR20-V6-26	Gasket Seal Ring	1
27	IR20-V6-27	Nozzle	1
28	IR20-V6-28	Blade for Combustion Chamber	1
29	IR20-V6-29	Burner Head	1
30	IR37-V6-42	Ignition Needle	1
31	IR20-V6-31	Burner Head Connector	1
32	IR20-V6-32	Bracket for Ignition Transformer	1
33	IR20-V6-33	Ignition Transformer	1
34	IR20-V6-34	Support Bracket	1
35	IR20-V6-35	Re-set Thermostat	1
36	IR20-V6-36	Bracket for Photocell Assembly	1
37	IR20-V6-37	Cable Grip	1
39	IR20-V6-39	Photocell Assembly	1
40	IR20-V6-40	PCB Holder Bracket	1
41	IR37-V6-50	PCB Support	1

Item	Part No.	Description	Qty
42	IR20-V6-42	Power PCB (A)	1
43	IR20-V6-43	Blower Motor Assembly	1
44	IR20-V6-44	Fuel Pipe Assembly	1
45	IR20-V6-45	Solenoid Valve	1
46	IR20-V6-46	Fuel Pump	1
47	IR20-V6-47	Pump Connector	1
48	IR20-V6-48	Fuel Connection	1
49	IR20-V6-49	Display PCB	1
50	IR20-V6-50	Waterproof Gasket	1
51	IR20-V6-51	Rear Cover (Plastic)	1
52	IR37-V6-34	Light Cover	1
53	IR37-V6-35	Display Window	1
54	IR37-V6-32	Thermostat Adjustment Knob Nut	1
55	IR37-V6-33	On/Off Switch	1
56	IR37-V6-31	Thermostat Knob	1
57	IR20-V6-57	Body Protection Ring (Rear)	1
58	IR20-V6-58	Air Flow Adjustment Collar	1
59	IR20-V6-59	Chamber Rear Cover	1
60	IR20-V6-60	Combustion Chamber	1
61	IR20-V6-61	Heat Insulation Casing	1
62	IR20-V6-62	Top Handle	1
63	IR20-V6-63	Chamber Shield Bracket	4
64	IR20-V6-64	Front Cover	1
65	IR20-V6-65	Body Protection Ring (Front)	1
66	IR20-V6-66	Safety Guard	1
67	IR20-V6-67	Lower Protection Plate	1

**NOTE:** It is our policy to continually improve products and as such we reserve the right to alter data, specifications and component parts without prior notice. There may be alternative versions of this product, please contact us should you require this information.

**IMPORTANT:** No liability is accepted for incorrect use of product. Spare parts must be fitted by a competent person

**WARRANTY:** Guarantee is 12 months from purchase date, proof of which will be required for any claim.

Sealey Group, Kempson Way, Suffolk Business Park, Bury St Edmunds, Suffolk. IP32 7AR



01284 757500



sales@sealey.co.uk



www.sealey.co.uk