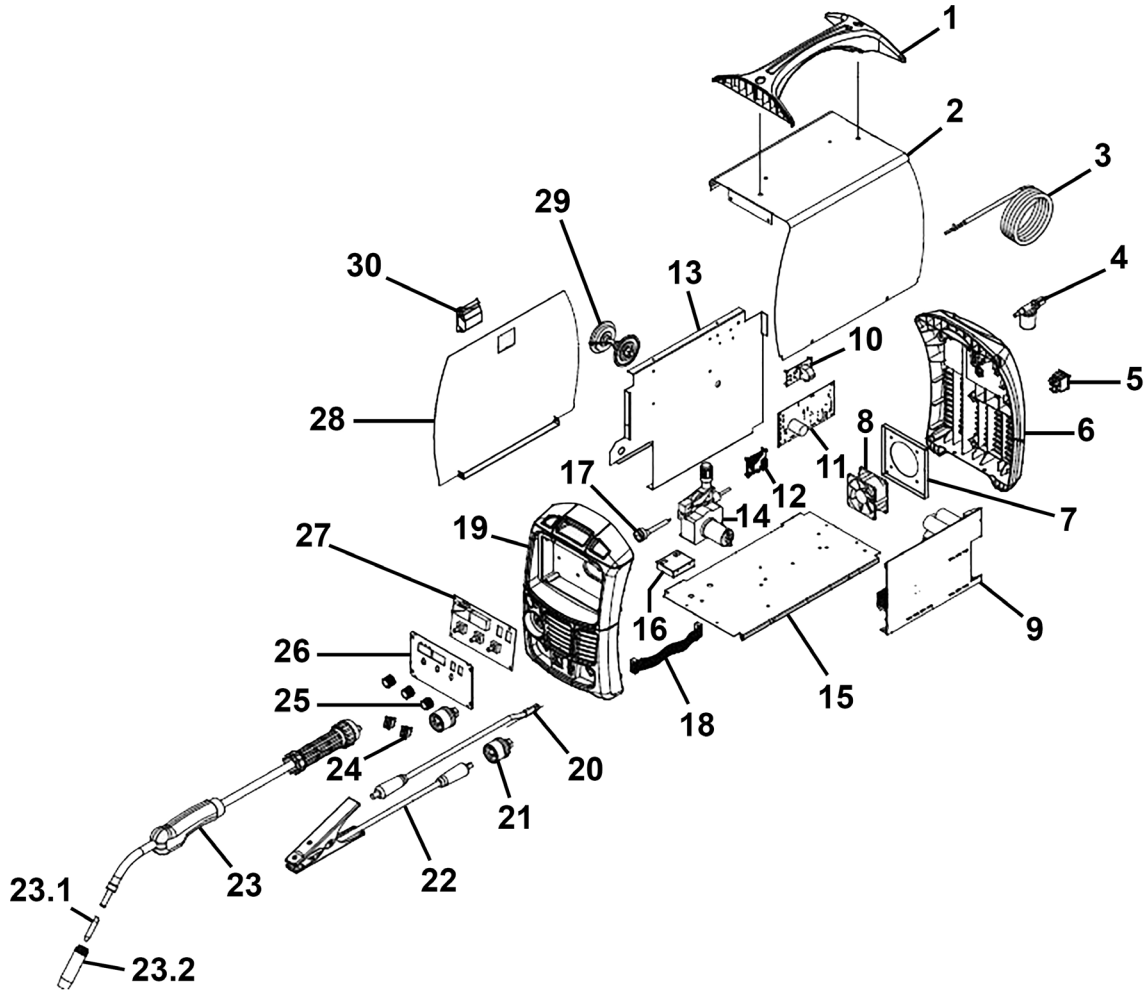




Parts Information:  
**Premier MIG, TIG & MMA Inverter Welder  
 200A**  
**Model No: INVMIG200.V4**



Item	Part No.	Description	Qty
1	HU20050080086	Top Handle	1
2	INVMIG200-V4-02	Side Cover	1
3	HU11120260039	Power Cable	1
4	HU12070020009	Solenoid Valve	1
5	HU20070800288	Rocker Switch	1
6	HU20050050197	Back Panel	1
7	HU20050051147	Fan Support	1
8	INVMIG200-V4-08	Fan	1
9	INVMIG200-V4-09	Main Control Board	1
10	HU11050110512	EMC Board	1
11	HU11050070294	Control Board	1
12	INVMIG200-V4-12	Fan Control Board	1
13	HU11010050553	Middle Panel	1
14	HU20070400404	Wire Feeder	1
15	HU11010042165	Bottom Panel	1
16	HU20300030019	Wire Feeder Support	1

Item	Part No.	Description	Qty
17	INVMIG200-V4-17	Torch Socket	1
18	HU20030303024	Connection Cable	1
19	HU20050050288	Front Panel	1
20	HU12070030101	Conversion Cable	1
21	HU20070570196	Quick Socket (Euro)	2
22	HU12080020697	Earth Clamp and Cable	1
23	HU20200010282	Mig Torch	1
23.1	INVMIG200V220	Contact tip	1
23.2	MIG955	Conical Nozzle MB15 Pack of 3	1
24	INVMIG200-V4-24	Rocker Switch	2
25	HU20070110017	Potentiometer Knob	3
26	INVMIG200-V4-26	Front Support Panel	1
27	INVMIG200-V4-27	Control Board	1
28	INVMIG200-V4-28	Side Panel	1
29	INVMIG200-V4-29	Spool Holder	1
30	HU20050050270	Door Latch	1

**NOTE:** It is our policy to continually improve products and as such we reserve the right to alter data, specifications and component parts without prior notice. There may be alternative versions of this product, please contact us should you require this information.

**IMPORTANT:** No liability is accepted for incorrect use of product. Spare parts must be fitted by a competent person

**WARRANTY:** Guarantee is 12 months from purchase date, proof of which will be required for any claim.

Sealey Group, Kempson Way, Suffolk Business Park, Bury St Edmunds, Suffolk. IP32 7AR



01284 757500



sales@sealey.co.uk



www.sealey.co.uk