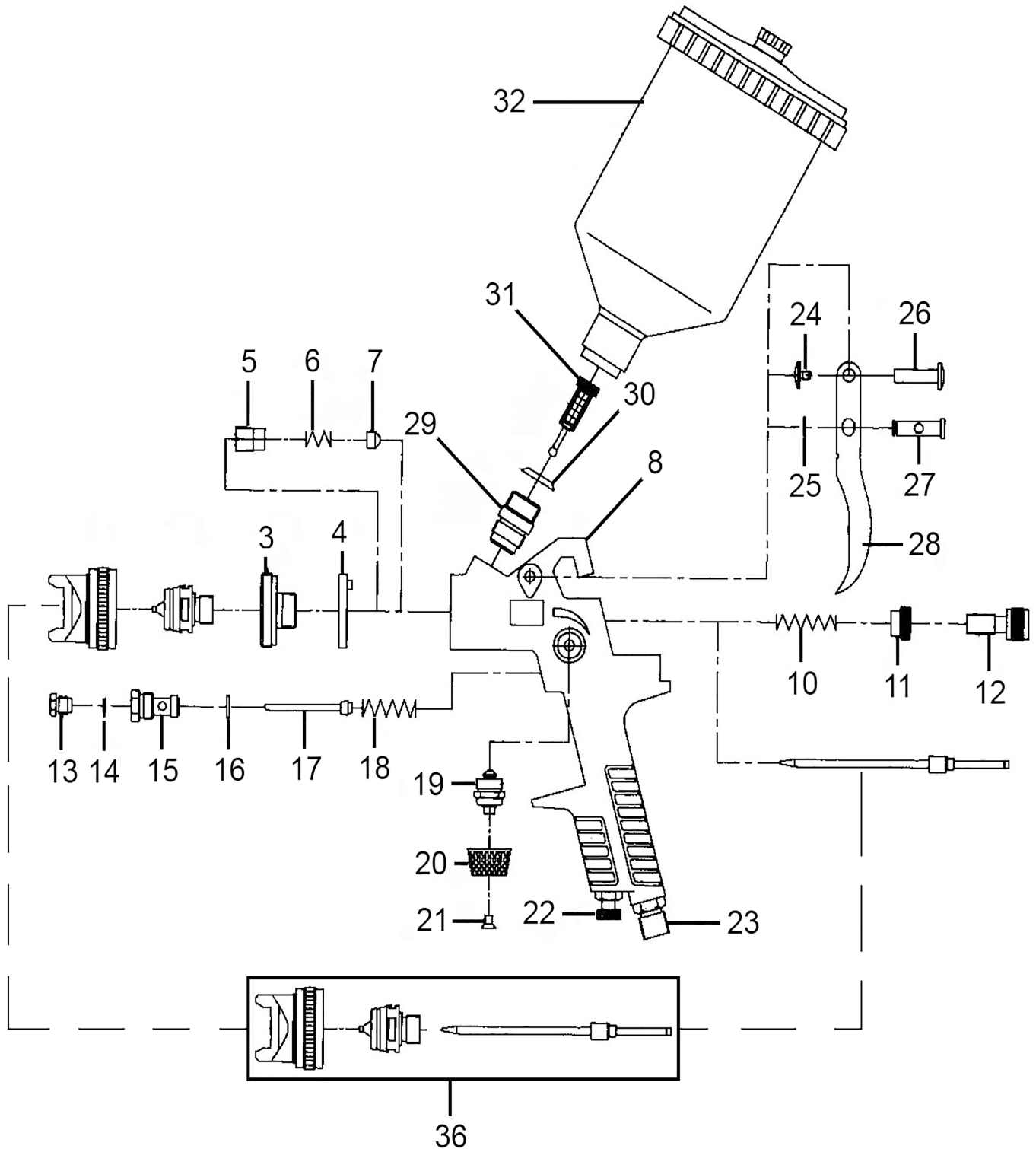




Parts Information:
Workshop Series HVLP Gravity Feed Spray
Gun 1.3mm Set-Up
Model No: HVLP741.V2



NOTE: It is our policy to continually improve products and as such we reserve the right to alter data, specifications and component parts without prior notice. There may be alternative versions of this product, please contact us should you require this information.

IMPORTANT: No liability is accepted for incorrect use of product. Spare parts must be fitted by a competent person

WARRANTY: Guarantee is 12 months from purchase date, proof of which will be required for any claim.

Sealey Group, Kempson Way, Suffolk Business Park, Bury St Edmunds, Suffolk. IP32 7AR



01284 757500



sales@sealey.co.uk



www.sealey.co.uk



Parts Information:
**Workshop Series HVLP Gravity Feed Spray
Gun 1.3mm Set-Up**
Model No: HVLP741.V2

| Item | Part No. | Description |
|------|------------|--|
| 3 | HVLP741.03 | Air Diversion |
| 4 | HVLP741.04 | Gasket |
| 5 | HVLP741.05 | Needle Packing Nut |
| 6 | HVLP741.06 | Spring Dia 12.3mm |
| 7 | HVLP741.07 | Needle Packing Gasket |
| 8 | HVLP741.08 | Spray Gun Body |
| 10 | HVLP742.10 | Needle Spring Dia 6.2mm |
| 11 | HVLP741.11 | Adjustment Screw Cap, Nozzle |
| 12 | HVLP741.12 | Fluid Adjustment Screw |
| 13 | HVLP741.13 | Air Valve Packing Screw |
| 14 | HVLP742.14 | Gasket |
| 15 | HVLP741.15 | Air Valve Seat |
| 16 | HVLP741.16 | Air Valve Gasket |
| 17 | HVLP741.17 | Air Valve Pole |
| 18 | HVLP741.18 | Air Valve Spring, Dia 6.3mm |
| 19 | HVLP741.19 | Valve Seat, Fan Adjuster |
| 20 | HVLP741.20 | Screw Cap, Fan Adjuster |
| 21 | MSC48.S | Csk Phillips Machine Screw M4 X 8 Zinc |

| Item | Part No. | Description |
|------|---------------|----------------------------------|
| 22 | HVLP741.22 | Air Adjustment Seat |
| 23 | HVLP741.23 | Air Joint |
| 24 | HVLP741.24 | Bolt M4x5 |
| 25 | HVLP741.25 | Stop Ring |
| 26 | HVLP741.26 | Trigger Pin |
| 27 | HVLP741.27 | Needle pin |
| 28 | HVLP741.28 | Trigger |
| 29 | HVLP741.29 | Fluid joint |
| 30 | HVLP741.30 | Paint Cup Gasket |
| 31 | HVLP742.31 | Filter |
| 32 | HVLP741.32 | Paint Cup Complete |
| 36 | HVLP741.36 | HVLP741 Set-Up 1.3mm |
| -- | HVLP741.35 | HVLP741 Set-Up 1.2mm (Not Shown) |
| -- | HVLP741.37 | HVLP741 Set-Up 1.4mm (Not Shown) |
| -- | HVLP741.33 | HVLP741 Set-Up 1.7mm (Not Shown) |
| -- | HVLP741.34 | HVLP741 Set-Up 2.0mm (Not Shown) |
| -- | HVLP741SET1.0 | HVLP741 Set-Up 1.0mm (Not Shown) |
| -- | HVLP741.FK | Accessory Kit (Not Shown) |

NOTE: It is our policy to continually improve products and as such we reserve the right to alter data, specifications and component parts without prior notice. There may be alternative versions of this product, please contact us should you require this information.

IMPORTANT: No liability is accepted for incorrect use of product. Spare parts must be fitted by a competent person

WARRANTY: Guarantee is 12 months from purchase date, proof of which will be required for any claim.

Sealey Group, Kempson Way, Suffolk Business Park, Bury St Edmunds, Suffolk. IP32 7AR



01284 757500



sales@sealey.co.uk



www.sealey.co.uk