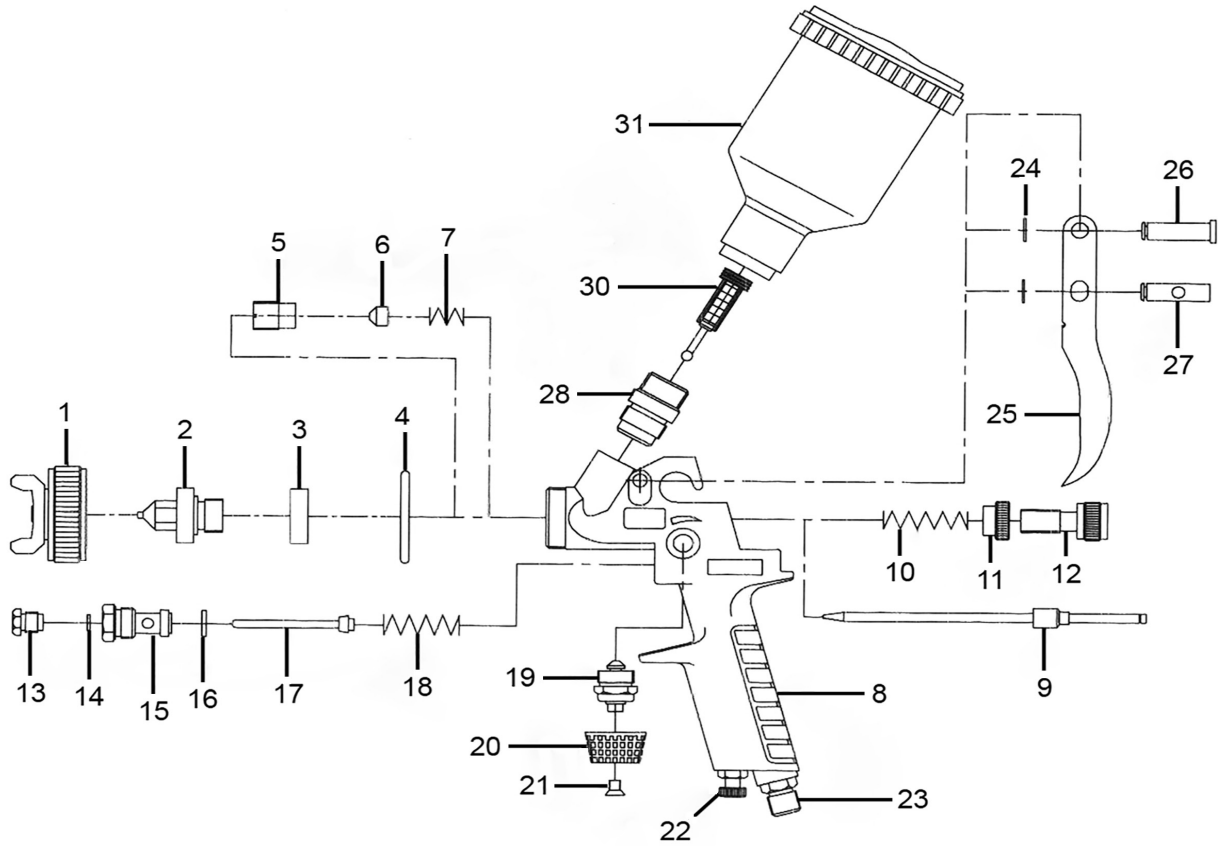


Parts Information:
**Workshop Series HVLP Gravity Feed
 Touch-Up Spray Gun 0.8mm Set-Up
 Model No: HVLP731**



Item	Part No.	Description
1	HVLP731.01	Air Cap
2	HVLP731.02	Fluid Nozzle
3	HVLP731.03	Air Diversion
4	HVLP731.04	Air Cap Gasket
5	HVLP731.05	Needle Packing Nut
6	HVLP731.06	Needle Packing Gasket
7	HVLP731.07	Spring Dia 4.76mm
8	HVLP731.08	Spray Gun Body
9	HVLP731.09	Needle
10	HVLP731.10	Needle Spring Dia 6.8mm
11	HVLP731.11	Adjustment Screw Cap, Nozzle
12	HVLP731.12	Fluid Adjustment Screw
13	HVLP731.13	Air Valve Packing Screw
14	HVLP731.14	Gasket
15	HVLP731.15	Air Valve Seat
16	HVLP731.16	Air Valve Gasket
17	HVLP731.17	Air Valve Pole

Item	Part No.	Description
18	HVLP731.18	Air Valve Spring Conical
19	HVLP731.19	Valve Seat, Fan Adjuster
20	HVLP731.20	Screw Cap, Fan Adjuster
21	HVLP731.21	Phillips Bolt M3x3
22	HVLP731.22	Air Adjustment Seat
23	HVLP731.23	Air Joint
24	HVLP731.24	E-Clip 3.0mm
25	HVLP731.25	Trigger
26	HVLP731.26	Trigger Pin
27	HVLP731.27	Needle Pin
28	HVLP731.28	Fluid Joint
30	HVLP731.30	Filter
31	HVLP731.31	Paint Cup Complete
--	HVLP731.29	Paint Cup Gasket (Not Shown)
--	HVLP731.32	HVLP731 Set-Up 1.0mm (Not Shown)
--	HVLP731.33	O-Ring For Air Valve Seat (Not Shown)

NOTE: It is our policy to continually improve products and as such we reserve the right to alter data, specifications and component parts without prior notice. There may be alternative versions of this product, please contact us should you require this information.

IMPORTANT: No liability is accepted for incorrect use of product. Spare parts must be fitted by a competent person

WARRANTY: Guarantee is 12 months from purchase date, proof of which will be required for any claim.