

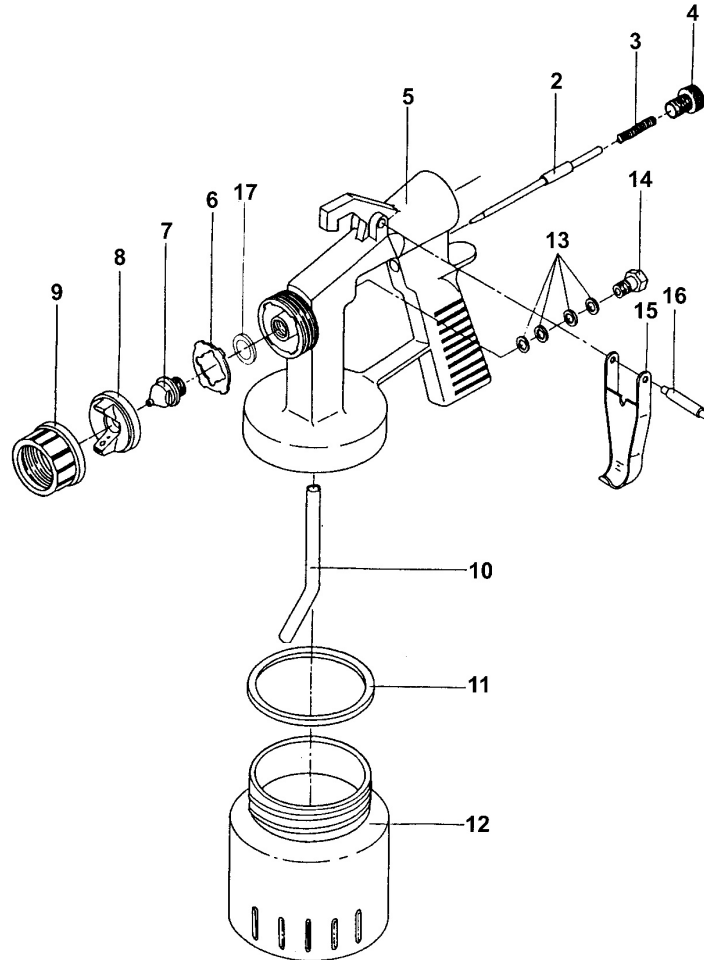
Item	Part No.	Description
1	HVLP2002/01	Main Housing
2	HVLP2002/02	Switch
3 & 4	HVLP2002/03	Motor Connector & Hose Fixture
5	HVLP2002/05	Hose
6	HVLP2002/06	Power Cord
7	HVLP2002/07	Tube Cover (A)
8	HVLP2002/08	Tube Cover (B)
9	HVLP2002/09	Screw
10	HVLP2002/10	Screw
11	HVLP2002/11	Motor
12	HVLP2002/12	Washer
13	HVLP2002/13	Screw
14	HVLP2002/14	Air Flow Tube

Item	Part No.	Description
15	HVLP2002/15	Screw
16	HVLP2002/16	Housing Screw
17	HVLP2002/17	Filter
18	HVLP2002/18	Filter Cover
19	HVLP2002/19	Pointing Label
20	HVLP2002/20	Hose Connector Pointing Label
21	HVLP2002/21	Warning Label
22	HVLP2002/22	Main Label
23	HVLP2002/23	Spray Gun Set
24	HVLP2002/24	Rubber Stand
25	HVLP2002/25	Wrench
26	HVLP2002/26	Viscosity Cup

NOTE: It is our policy to continually improve products and as such we reserve the right to alter data, specifications and component parts without prior notice.

IMPORTANT: No liability is accepted for incorrect use of product.

WARRANTY: Guarantee is 12 months from purchase date, proof of which will be required for any claim.



Item	Part No.	Description
2	HVLP2002/2302	Fluid Needle Assembly
3	HVLP2002/2303	Spring
4	HVLP2002/2304	Fluid Adjusting Screw
5	HVLP2002/2305	Gun Body
6	HVLP2002/2306	Air Flow
7	HVLP2002/2307	Fluid Tip
8	HVLP2002/2308	Air Cap
9	HVLP2002/2309	Lock Ring

Item	Part No.	Description
10	HVLP2002/2310	Fluid Tube
11	HVLP2002/2311	Container Gasket
12	HVLP2002/2312	Container
13	HVLP2002/2313	Fluid Needle Packing
14	HVLP2002/2314	Needle Packing Screw
15	HVLP2002/2315	Trigger
16	HVLP2002/2316	Trigger Pin
17	HVLP2002/2317	Nozzle Washer

NOTE: It is our policy to continually improve products and as such we reserve the right to alter data, specifications and component parts without prior notice.

IMPORTANT: No liability is accepted for incorrect use of product.

WARRANTY: Guarantee is 12 months from purchase date, proof of which will be required for any claim.