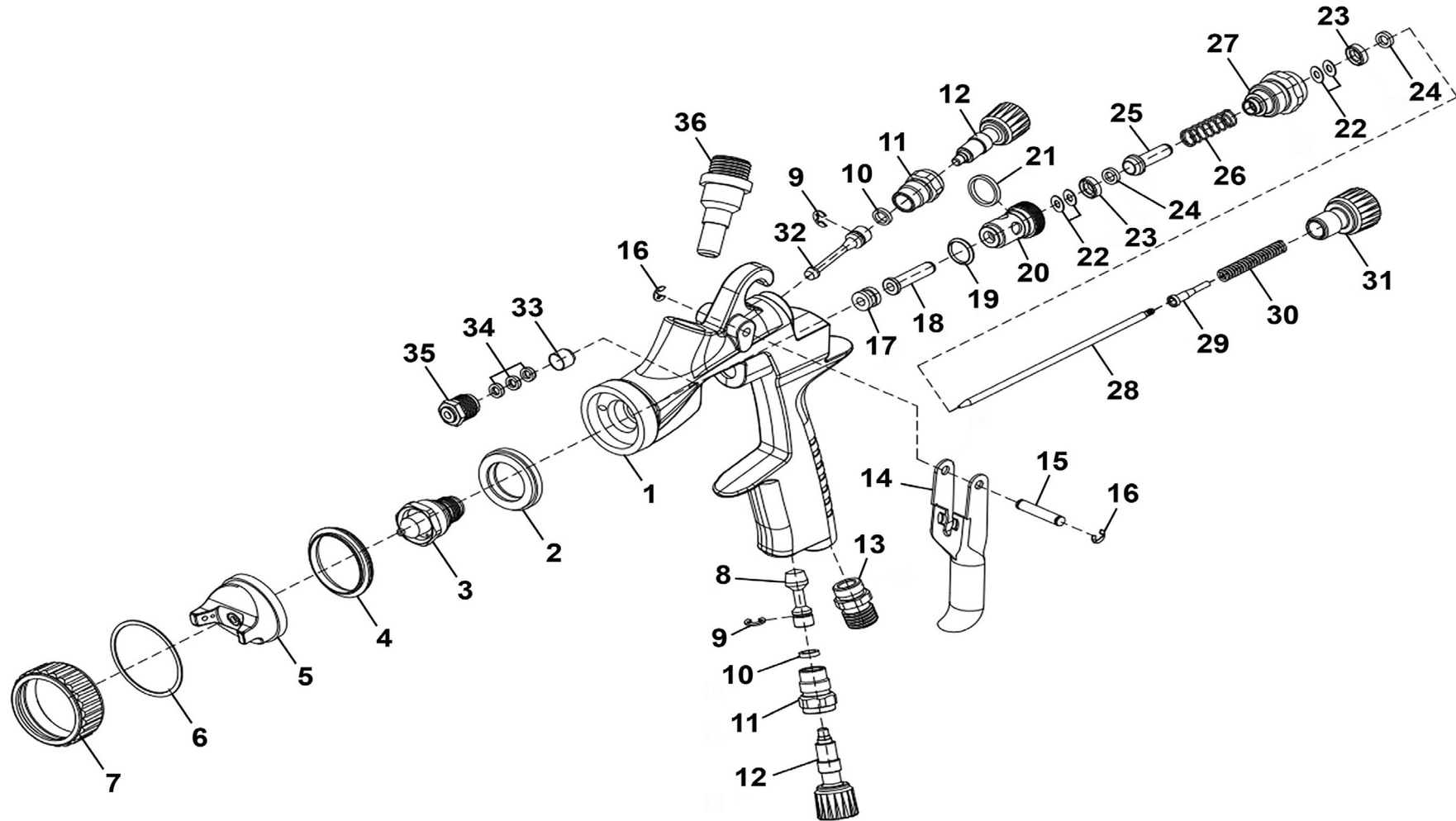




Parts Information:
Premier Professional HVLP Gravity Feed Spray Gun 1.3mm Set-Up
Model No: HVLP05



NOTE: It is our policy to continually improve products and as such we reserve the right to alter data, specifications and component parts without prior notice.

There may be alternative versions of this product, please contact us should you require this information.

IMPORTANT: No liability is accepted for incorrect use of product. Spare parts must be fitted by a competent person

WARRANTY: Guarantee is 12 months from purchase date, proof of which will be required for any claim.

Sealey Group, Kempson Way, Suffolk Business Park, Bury St Edmunds, Suffolk. IP32 7AR



01284 757500



sales@sealey.co.uk



www.sealey.co.uk



Parts Information:
**Premier Professional HVLP Gravity Feed
Spray Gun 1.3mm Set-Up
Model No: HVLP05**

Item	Part No.	Description
1	HVLP05-01	Gun Body
2	HVLP05-02	Air Baffle
3	HVLP05-03	Fluid Nozzle 1.3mm (Standard)
4	HVLP05-04	Lock Ring Seal
5	HVLP05-05	Air Cap 1.3mm (Standard)
6	HVLP05-06	Air Cap Seal
7	HVLP05-07	Locking Ring
8	HVLP05-08	Air Adjusting Valve Rod
9	HVLP05-09	E-Clip 5mm
10	HVLP05-10	Air Adjusting Valve Seal
11	HVLP05-11	Air Adjusting Valve Housing
12	HVLP05-12	Knob, Air Adjustment, Knurled, Aluminium
13	HVLP05-13	Air Adaptor
14	HVLP05-14	Trigger
15	HVLP05-15	Trigger Pin
16	HVLP05-16	E-Clip 3mm
17	HVLP05-17	Air Valve Shaft Sleeve (A)
18	HVLP05-18	Air Valve Shaft
19	HVLP05-19	Air Valve Seal (A)
20	HVLP05-20	Air Valve Housing
21	HVLP05-21	Air Valve Seal (B)
22	HVLP05-22	Air Valve Shaft Seal (X2)
23	HVLP05-23	Air Valve Shaft Seal Guide

Item	Part No.	Description
24	HVLP05-24	Air Valve Gasket
25	HVLP05-25	Air Valve Rod
26	HVLP05-26	Air Valve Rod Spring
27	HVLP05-27	Fluid Needle Adjusting Guide
28	HVLP05-28	Fluid Needle 1.3mm (Standard)
29	HVLP05-29	Fluid Needle Seat
30	HVLP05-30	Fluid Needle Spring
31	HVLP05-31	Knob, Needle Adjustment, Knurled
32	HVLP05-32	Pattern Adjusting Valve Rod
33	HVLP05-33	Needle Packing
34	HVLP05-34	Needle Gaskets (x3)
35	HVLP05-35	Packing Nut
36	HVLP05-36	Fluid Inlet
--	HVLP05-37	Fluid Pot (Not Shown)
--	HVLP05-03A	Fluid Nozzle 1.2mm Optional (Not Shown)
--	HVLP05-03B	Fluid Nozzle 1.4mm Optional (Not Shown)
--	HVLP05-05A	Air Cap 1.2mm Optional (Not Shown)
--	HVLP05-05B	Air Cap 1.4mm Optional (Not Shown)
--	HVLP05-28A	Fluid Needle 1.2mm Optional (Not Shown)
--	HVLP05-28B	Fluid Needle 1.4mm Optional (Not Shown)
--	HVLP05-S1.2	Complete Set-up 1.2mm (Not Shown)
--	HVLP05-S1.3	Complete Set-up 1.3mm (Not Shown)
--	HVLP05-S1.4	Complete Set-up 1.4mm (Not Shown)

NOTE: It is our policy to continually improve products and as such we reserve the right to alter data, specifications and component parts without prior notice. There may be alternative versions of this product, please contact us should you require this information.

IMPORTANT: No liability is accepted for incorrect use of product. Spare parts must be fitted by a competent person

WARRANTY: Guarantee is 12 months from purchase date, proof of which will be required for any claim.

Sealey Group, Kempson Way, Suffolk Business Park, Bury St Edmunds, Suffolk. IP32 7AR



01284 757500



sales@sealey.co.uk



www.sealey.co.uk