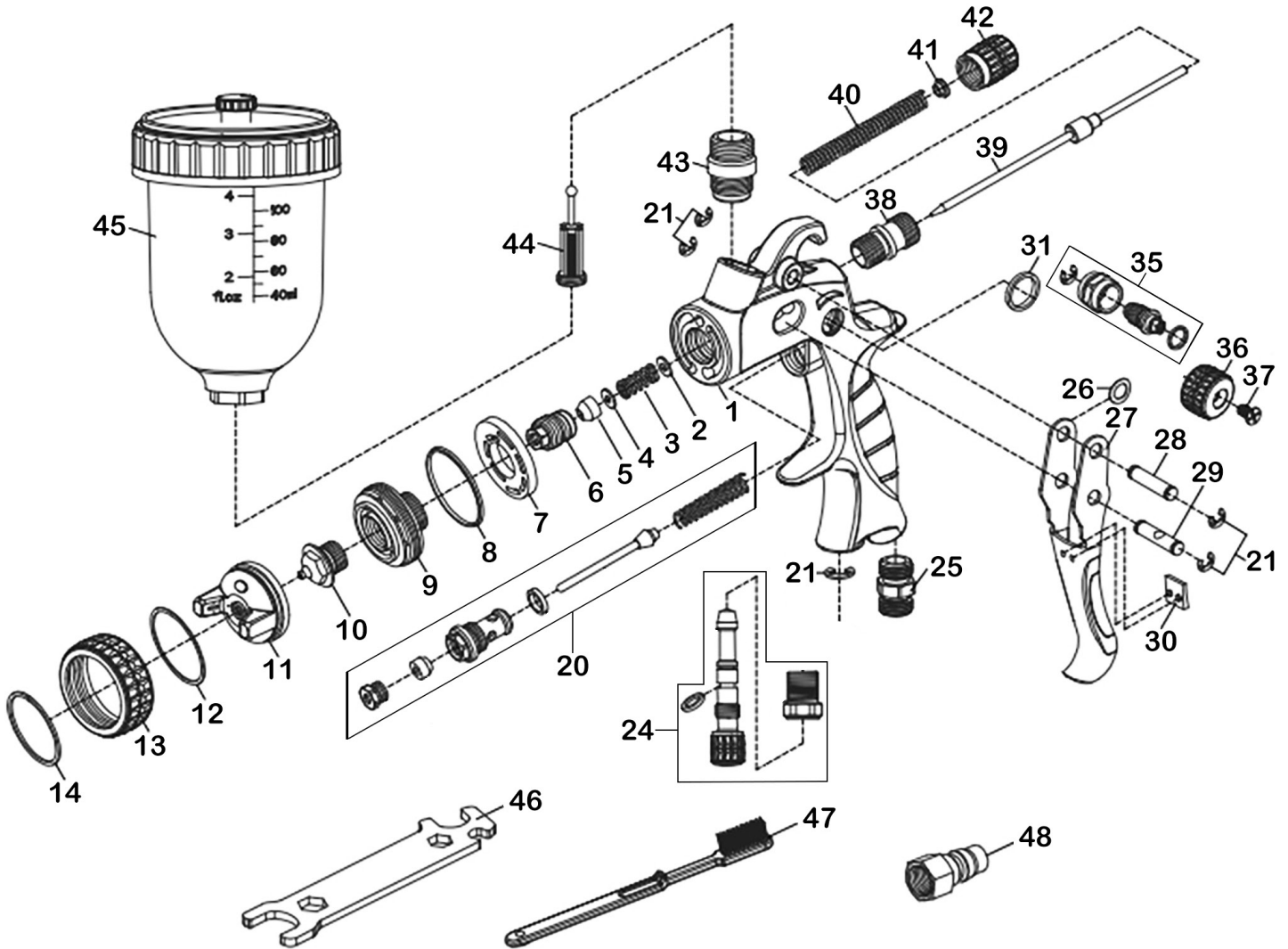


Parts Information:
**Premier Professional HVLP Gravity Feed
 Touch-Up Spray Gun 1mm Set-Up
 Model No: HVLP04**



Item	Part No.	Description
1	HVLP04.01	Gun Body
2	HVLP04.02	Needle Packing Screw Washer
3	HVLP04.03	Needle Packing Spring
4	HVLP04.04	Needle Packing Washer
5	HVLP04.05	Needle Packing Gasket
6	HVLP04.06	Needle Packing Screw
7	HVLP04.07	Air Baffle
8	HVLP04.08	Washer for Nozzle Seat
9	HVLP04.09	Nozzle Seat

Item	Part No.	Description
10	HVLP04.10	Fluid Nozzle 1.0mm
11	HVLP04.11	Air Cap 1.0mm
12	HVLP04.12	Washer for Air Cap
13	HVLP04.13	Locking Ring
14	HVLP04.14	Retainer
20	HVLP04.15-20	Air Valve Assembly
21	HVLP04.21	Retainer
24	HVLP04.22-24	Air Adjustment Assembly
25	HVLP04.25	Air Adaptor

NOTE: It is our policy to continually improve products and as such we reserve the right to alter data, specifications and component parts without prior notice. There may be alternative versions of this product, please contact us should you require this information.

IMPORTANT: No liability is accepted for incorrect use of product. Spare parts must be fitted by a competent person

WARRANTY: Guarantee is 12 months from purchase date, proof of which will be required for any claim.



Parts Information:
**Premier Professional HVLP Gravity Feed
Touch-Up Spray Gun 1mm Set-Up
Model No: HVLP04**

Item	Part No.	Description
26	HVLP04.26	Washer
27	HVLP04.27	Trigger
28	HVLP04.28	Trigger Pin
29	HVLP04.29	Hinge Pin
30	HVLP04.30	Washer
31	HVLP04.31	Gasket
35	HVLP04.32-35	Spray Pattern Adjustment Assembly
36	HVLP04.36	Knob, Spray Pattern Adjustment
37	HVLP04.37	Spray Pattern Adjustment Knob Screw
38	HVLP04.38	Needle Adjustment Adaptor
39	HVLP04.39	Fluid Needle 1.0mm
40	HVLP04.40	Needle Adajustment Spring

Item	Part No.	Description
41	HVLP04.41	Spring Plug
42	HVLP04.42	Knob, Needle Adjustment
43	HVLP04.43	Fluid Pot Adaptor
44	SP01.43	Fluid Pot Filter
45	HVLP04.45	Fluid Pot
46	HVLP04.46	Multi-Purpose Spanner
47	SP01.52	Brush
48	HVLP04.48	Adaptor (Male)
--	HVLP04.10A	Fluid Nozzle 0.8mm (Not Shown)
--	HVLP04.11A	Air Cap 0.8mm (Not Shown)
--	HVLP04.39A	Fluid Needle 0.8mm (Not Shown)

NOTE: It is our policy to continually improve products and as such we reserve the right to alter data, specifications and component parts without prior notice. There may be alternative versions of this product, please contact us should you require this information.

IMPORTANT: No liability is accepted for incorrect use of product. Spare parts must be fitted by a competent person

WARRANTY: Guarantee is 12 months from purchase date, proof of which will be required for any claim.

Sealey Group, Kempson Way, Suffolk Business Park, Bury St Edmunds, Suffolk. IP32 7AR



01284 757500



sales@sealey.co.uk



www.sealey.co.uk