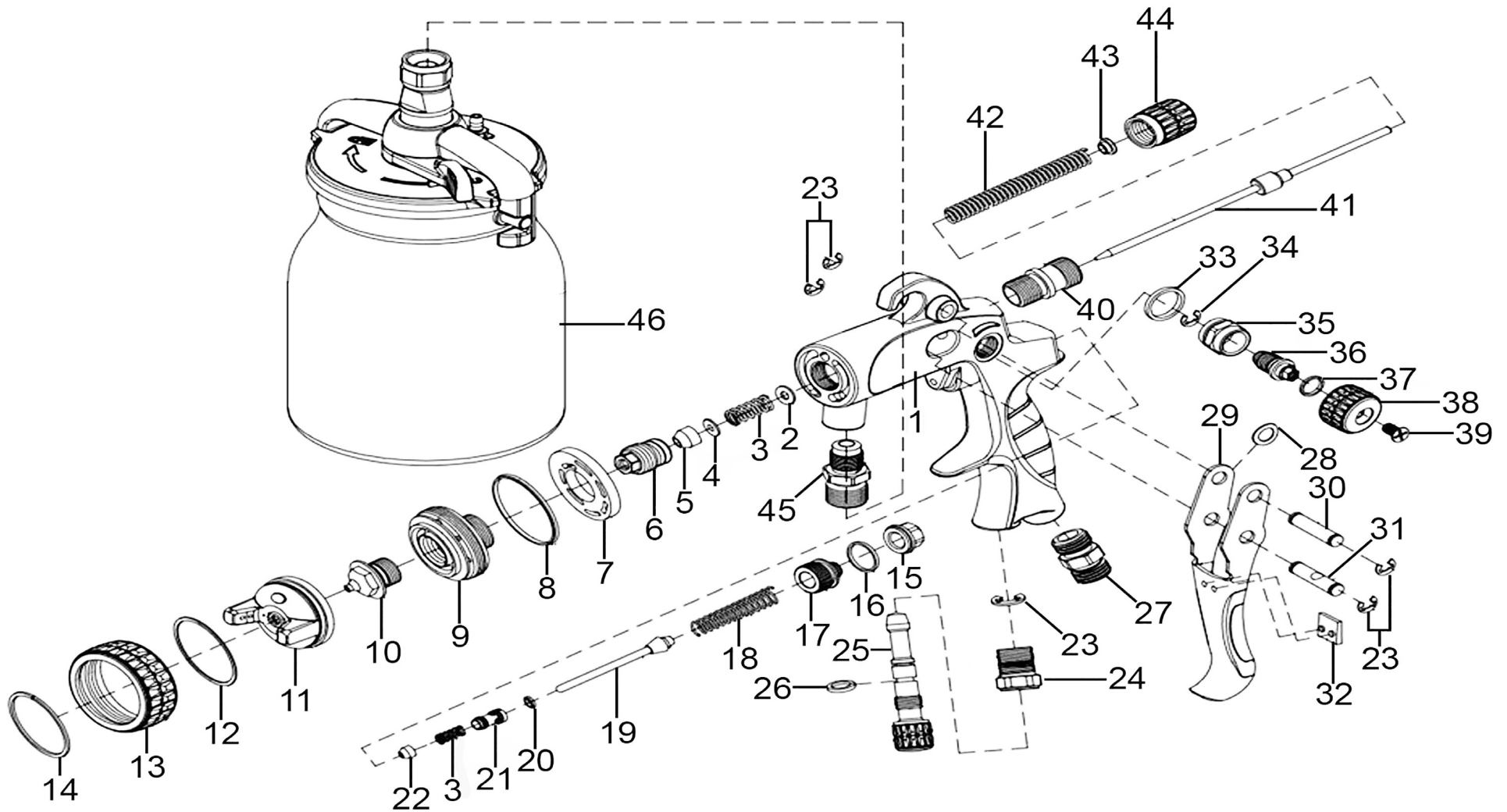




Parts Information:
HVLP Suction Feed Spray Gun 1.7mm Set-Up
Model No: HVLP02



NOTE: It is our policy to continually improve products and as such we reserve the right to alter data, specifications and component parts without prior notice.

There may be alternative versions of this product, please contact us should you require this information.

IMPORTANT: No liability is accepted for incorrect use of product. Spare parts must be fitted by a competent person

WARRANTY: Guarantee is 12 months from purchase date, proof of which will be required for any claim.

Sealey Group, Kempson Way, Suffolk Business Park, Bury St Edmunds, Suffolk. IP32 7AR



01284 757500



sales@sealey.co.uk



www.sealey.co.uk



Parts Information:
HVLP Suction Feed Spray Gun 1.7mm Set-Up
Model No: HVLP02

Item	Part No.	Description
1	HVLP02.01	Gun Body
2	HVLP02.02	Gasket
3	HVLP02.03	Needle Packing Spring Dia 6.8mm
4	FWM3.S	Flat Washer M3 Zinc
5	HVLP02.05	Needle Packing Gasket
6	HVLP02.06	Needle Packing Screw
7	HVLP02.07	Air Baffle
8	HVLP02.08	White Nylon Washer For Nozzle Set
9	HVLP02.09	Nozzle Seat
10	HVLP02.10	Nozzle 1.7mm
11	HVLP02.11	Air Cap 1.7mm
12	HVLP02.12	White Nylon Washer For Nozzle Set
13	HVLP02.13	Locking Ring
14	HVLP02.14	Retainer
15	HVLP02.15	Knob, Plastic, Domed, Hexagona
16	HVLP02.16	Sealing Gasket
17	HVLP02.17	Spring Seat
18	HVLP02.18	Air Valve Spring Conical
19	HVLP02.19	Air Valve Spindle
20	HVLP02.20	White Nylon Air Valve Washer
21	HVLP02.21	Air Valve
22	HVLP02.22	Air Valve Seat
23	HVLP02.23	E-Clip 5mm
24	HVLP02.24	Air Adjust Adapter
25	HVLP02.25	Knob, Air Adjustment
26	HVLP02.26	Gland Seal
27	HVLP02.27	Air Adapter
28	HVLP02.28	Wave Washer
29	HVLP02.29	Trigger

Item	Part No.	Description
30	HVLP02.30	Trigger Pin
31	HVLP02.31	Hinge Pin
32	HVLP02.32	Black Plastic Square Washer
33	HVLP02.33	Gasket
34	HVLP02.34	E-Clip 5mm ID
35	HVLP02.35	Spray Pattern Adjust Adapter
36	HVLP02.36	Spray Pattern Adjust Lever
37	HVLP02.37	White Nylon Washer
38	HVLP02.38	Spray Pattern Adjust Knob
39	MSC48.S	Csk Phillips Machine Screw M4 X 8 Zinc
40	HVLP02.40	Needle Adjust Adaptor
41	HVLP02.41	Needle 1.7mm
42	HVLP02.42	Needle Adjust Spring Dia 7.2mm
43	HVLP02.43	Spring Plug
44	HVLP02.44	Knob, Needle Adjustment
45	HVLP02.45	Cup Adapter
46	HVLP02.46	Pot
--	HVLP02.47	Multipurpose Spanner (Not Shown)
--	HVLP02.48	Hex Spanner (Not Shown)
--	HVLP02.49	Brush 'a' (Not Shown)
--	HVLP02.50	Cleaning Pin (Not Shown)
--	HVLP02.51	Cleaning Pin (Not Shown)
--	HVLP02.52	Brush 'b' (Not Shown)
--	HVLP02.53	Male Plug (Not Shown)
--	HVLP02.54	Hex Socket (Not Shown)
--	HVLP02-S1.3	Set-Up 1.3mm (Not Shown)
--	HVLP02-S1.4	Set-Up 1.4mm (Not Shown)
--	HVLP02-S2.0	Set-Up 2.0mm (Not Shown)
--	HVLP02-S1.7	Set-Up 1.7mm (Not Shown)

NOTE: It is our policy to continually improve products and as such we reserve the right to alter data, specifications and component parts without prior notice. There may be alternative versions of this product, please contact us should you require this information.

IMPORTANT: No liability is accepted for incorrect use of product. Spare parts must be fitted by a competent person

WARRANTY: Guarantee is 12 months from purchase date, proof of which will be required for any claim.

Sealey Group, Kempson Way, Suffolk Business Park, Bury St Edmunds, Suffolk. IP32 7AR



01284 757500



sales@sealey.co.uk



www.sealey.co.uk