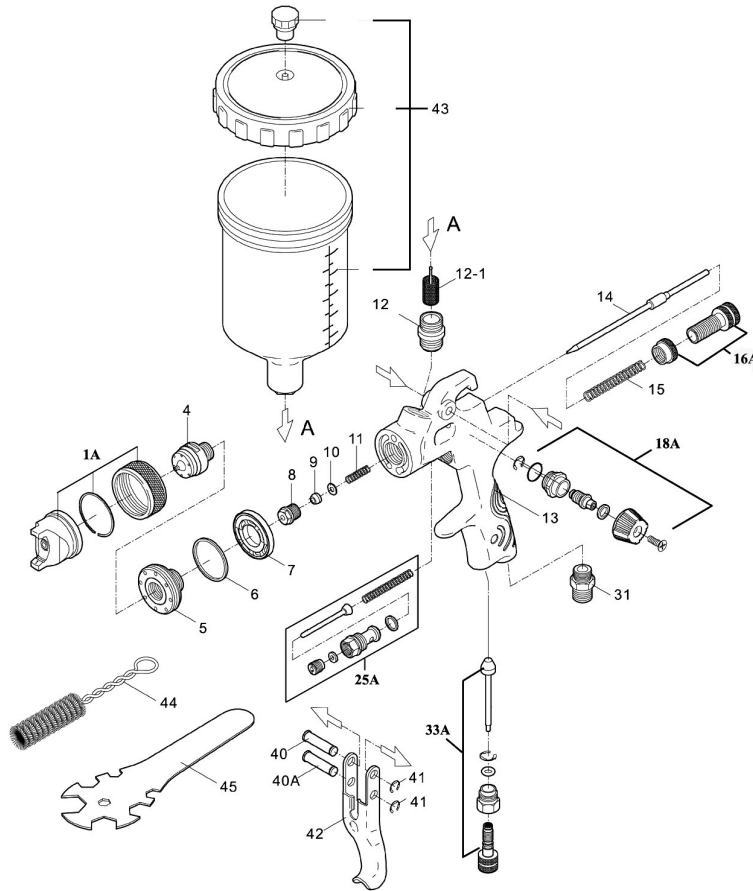




Parts Information:
HVLP Spray Gun Gravity Feed 1.3mm Set-Up
Model No: HVLP-751.V4



Item	Part No.	Description
1A	HVLP751.01B	NOZZLE ASSEMBLY (1.3mm)
1A	HVLP751.01A	NOZZLE ASSEMBLY (1.4mm)
1A	HVLP751.01C	NOZZLE ASSEMBLY (1.5mm)
1A	HVLP751.01D	NOZZLE ASSEMBLY (1.7mm)
1A	HVLP751.01E	NOZZLE ASSEMBLY (2mm)
4	HVLP751.04A	FLUID NOZZLE (1.3mm)
4	HVLP751.04	FLUID NOZZLE (1.4mm)
4	HVLP751.04B	FLUID NOZZLE (1.5mm)
4	HVLP751.04C	FLUID NOZZLE (1.7mm)
4	HVLP751.04D	FLUID NOZZLE (2mm)
5	HVLP750.05	BRASS RING
6	HVLP750.06	TEFLON O-RING
7	HVLP750.07	GASKET
8	HVLP750.08	SCREW FOR NEEDLE
9	HVLP79.V2-09	TEFLON SEAL
10	FWM3.S	FLAT WASHER M3 SINGLE
11	HVLP750.11	SPRING
12	HVLP751.12	CONNECTOR
12-1	HVLP751.12-1	SLEEVE

Item	Part No.	Description
13	HVLP751.13	GUN BODY
14	HVLP751.14A	COMPLETE NEEDLE (1.3mm)
14	HVLP751.14	COMPLETE NEEDLE (1.4mm)
14	HVLP751.14B	COMPLETE NEEDLE (1.5mm)
14	HVLP751.14C	COMPLETE NEEDLE (1.7mm)
14	HVLP751.14D	COMPLETE NEEDLE (2mm)
15	HVLP750.15	SPRING FOR NEEDLE
16A	HVLP79.V2-17A	CONTROL KNOB SET
18A	HVLP750.18A	ADJUSTING SET
25A	HVLP750.25A	VALVE ASSEMBLY
31	HVLP750.31	AIR INLET 1/4" BSP
33A	HVLP750.33A	PRESSURE ADJUSTING SET
40	HVLP750.40	PIN
40A	HVLP750.40A	PIN
41	HVLP750.41	E-RING
42	HVLP750.42	TRIGGER
43	HVLP741.32	PAINT CUP COMPLETE
44	HVLP750.44	BRUSH
45	HVLP750.45	SPANNER

NOTE: It is our policy to continually improve products and as such we reserve the right to alter data, specifications and component parts without prior notice.

IMPORTANT: No liability is accepted for incorrect use of product.

WARRANTY: Guarantee is 12 months from purchase date, proof of which will be required for any claim.

Sealey Group, Kempson Way, Suffolk Business Park, Bury St Edmunds, Suffolk. IP32 7AR



01284 757500



01284 703534



sales@sealey.co.uk



www.sealey.co.uk