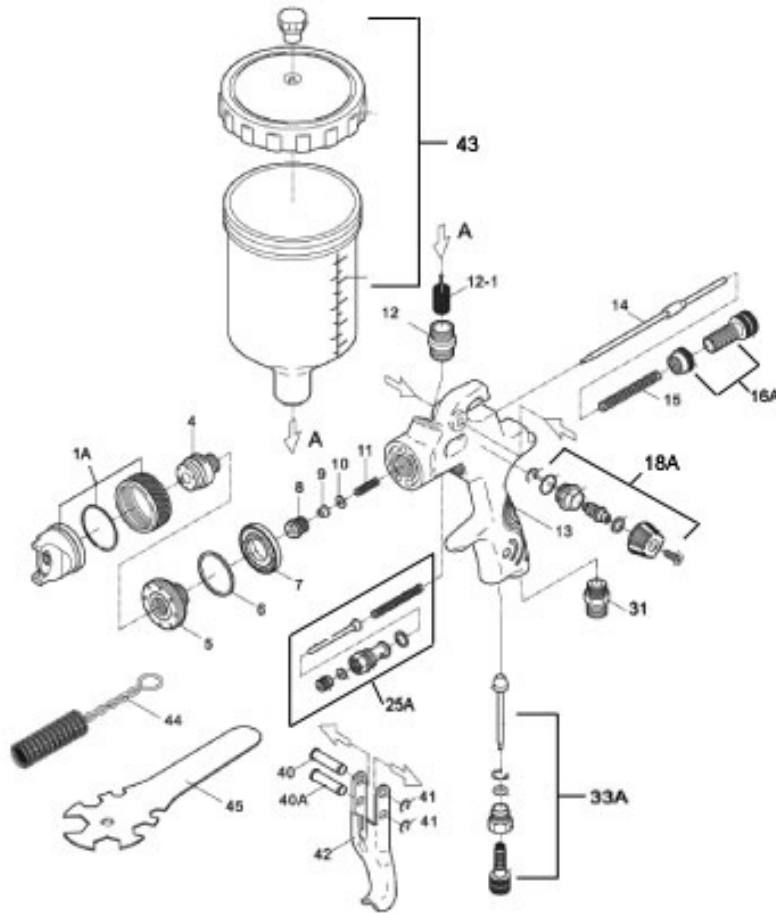




Parts Information:  
**Spray Gun HVLP Gravity Feed 1.4mm Set-Up**  
**Model No: HVLP-751.V3**



Item	Part No.	Description
1A	HVLP751.01A	NOZZLE ASSEMBLY (1.4mm)
--	HVLP751.01B	NOZZLE ASSEMBLY (1.3mm) (NOT SHOWN)
--	HVLP751.01C	NOZZLE ASSEMBLY (1.5mm) (NOT SHOWN)
--	HVLP751.01D	NOZZLE ASSEMBLY (1.7mm) (NOT SHOWN)
--	HVLP751.01E	NOZZLE ASSEMBLY (2mm) (NOT SHOWN)
4	HVLP751.04	FLUID NOZZLE (1.4mm)
--	HVLP751.04A	FLUID NOZZLE (1.3mm) (NOT SHOWN)
--	HVLP751.04B	FLUID NOZZLE (1.5mm) (NOT SHOWN)
--	HVLP751.04C	FLUID NOZZLE (1.7mm) (NOT SHOWN)
--	HVLP751.04D	FLUID NOZZLE (2mm) (NOT SHOWN)
5	HVLP750.05	BRASS RING
6	HVLP750.06	TEFLON O-RING
7	HVLP750.07	GASKET
8	HVLP750.08	SCREW FOR NEEDLE
9	HVLP79.V2-09	TEFLON SEAL
10	FWM3.S	FLAT WASHER M3 SINGLE
11	HVLP750.11	SPRING
12	HVLP751.12	CONNECTOR
12-1	HVLP751.12-1	SLEEVE

Item	Part No.	Description
13	HVLP751.13	GUN BODY
14	HVLP751.14	COMPLETE NEEDLE (1.4mm)
--	HVLP751.14A	COMPLETE NEEDLE (1.3mm) (NOT SHOWN)
--	HVLP751.14B	COMPLETE NEEDLE (1.5mm) (NOT SHOWN)
--	HVLP751.14C	COMPLETE NEEDLE (1.7mm) (NOT SHOWN)
--	HVLP751.14D	COMPLETE NEEDLE (2mm) (NOT SHOWN)
15	HVLP750.15	SPRING FOR NEEDLE
16A	HVLP79.V2-17A	CONTROL KNOB SET
18A	HVLP750.18A	ADJUSTING SET
25A	HVLP750.25A	VALVE ASSEMBLY
31	HVLP750.31	AIR INLET 1/4"BSP
33A	HVLP750.33A	PRESSURE ADJUSTING SET
40	HVLP750.40	PIN
40A	HVLP750.40A	PIN
41	HVLP750.41	E-RING
42	HVLP750.42	TRIGGER
43	HVLP741.32	PAINT CUP COMPLETE
44	HVLP750.44	BRUSH
45	HVLP750.45	SPANNER

**NOTE:** It is our policy to continually improve products and as such we reserve the right to alter data, specifications and component parts without prior notice.

**IMPORTANT:** No liability is accepted for incorrect use of product.

**WARRANTY:** Guarantee is 12 months from purchase date, proof of which will be required for any claim.

**Sealey Group**, Kempson Way, Suffolk Business Park, Bury St Edmunds, Suffolk. IP32 7AR



01284 757500



01284 703534



sales@sealey.co.uk



www.sealey.co.uk