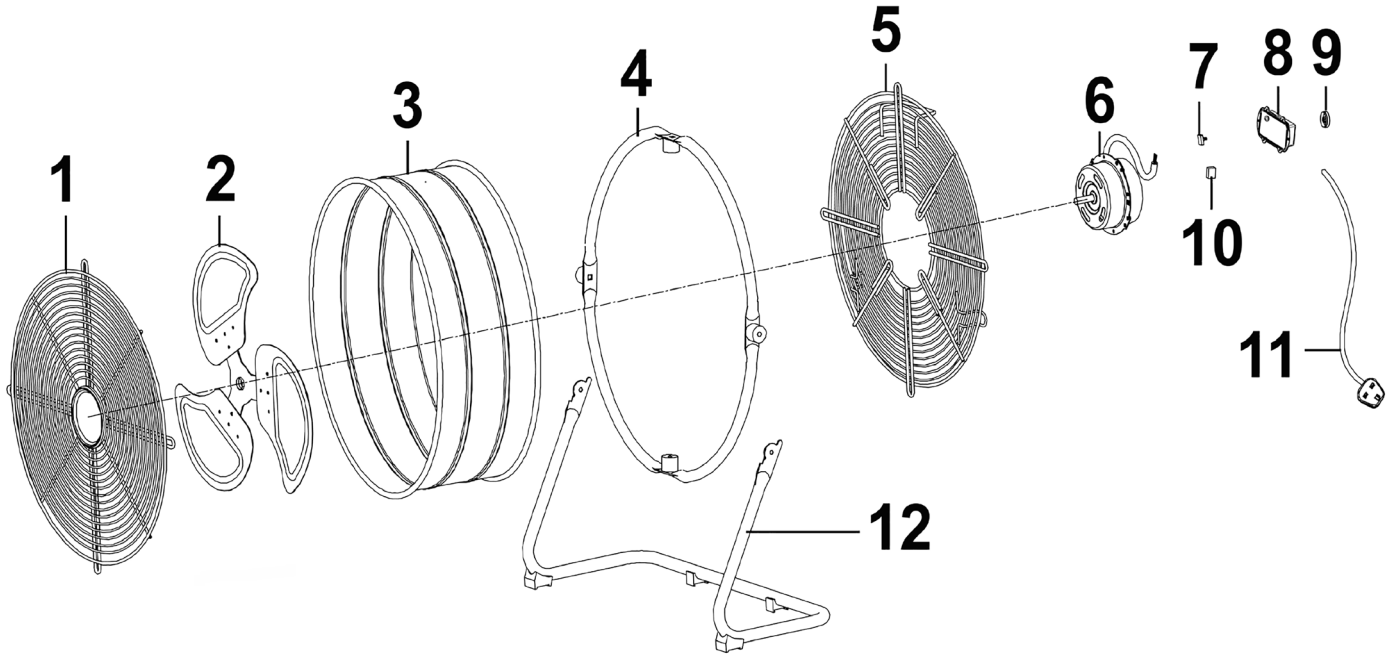




Parts Information:
Industrial High Velocity Orbital Drum Fan
20" 230V
Model No: HVF20S.V2



Item	Part No.	Description
1	HVF20S.V2-01	Front Guard
2	HVF20S.V2-02	Fan Blade 20"
3	HVF20S.V2-03	Drum
4	HVF20S.V2-04	Support Ring
5	HVF20S.V2-05	Rear Guard
6	HVF20S.V2-06	Motor

Item	Part No.	Description
7	HVF20S.V2-07	Switch
8	HVF20S.V2-08	Switch Box
9	HVF20S.V2-09	Speed Switch Knob
10	HVF20S.V2-10	Capacitor
11	MC3CX0.75	Mains Cable, 3 Core, 0.75 mm ²
12	HVF20S.V2-12	Base

NOTE: It is our policy to continually improve products and as such we reserve the right to alter data, specifications and component parts without prior notice. There may be alternative versions of this product, please contact us should you require this information.

IMPORTANT: No liability is accepted for incorrect use of product. Spare parts must be fitted by a competent person

WARRANTY: Guarantee is 12 months from purchase date, proof of which will be required for any claim.

Sealey Group, Kempson Way, Suffolk Business Park, Bury St Edmunds, Suffolk. IP32 7AR



01284 757500



sales@sealey.co.uk



www.sealey.co.uk