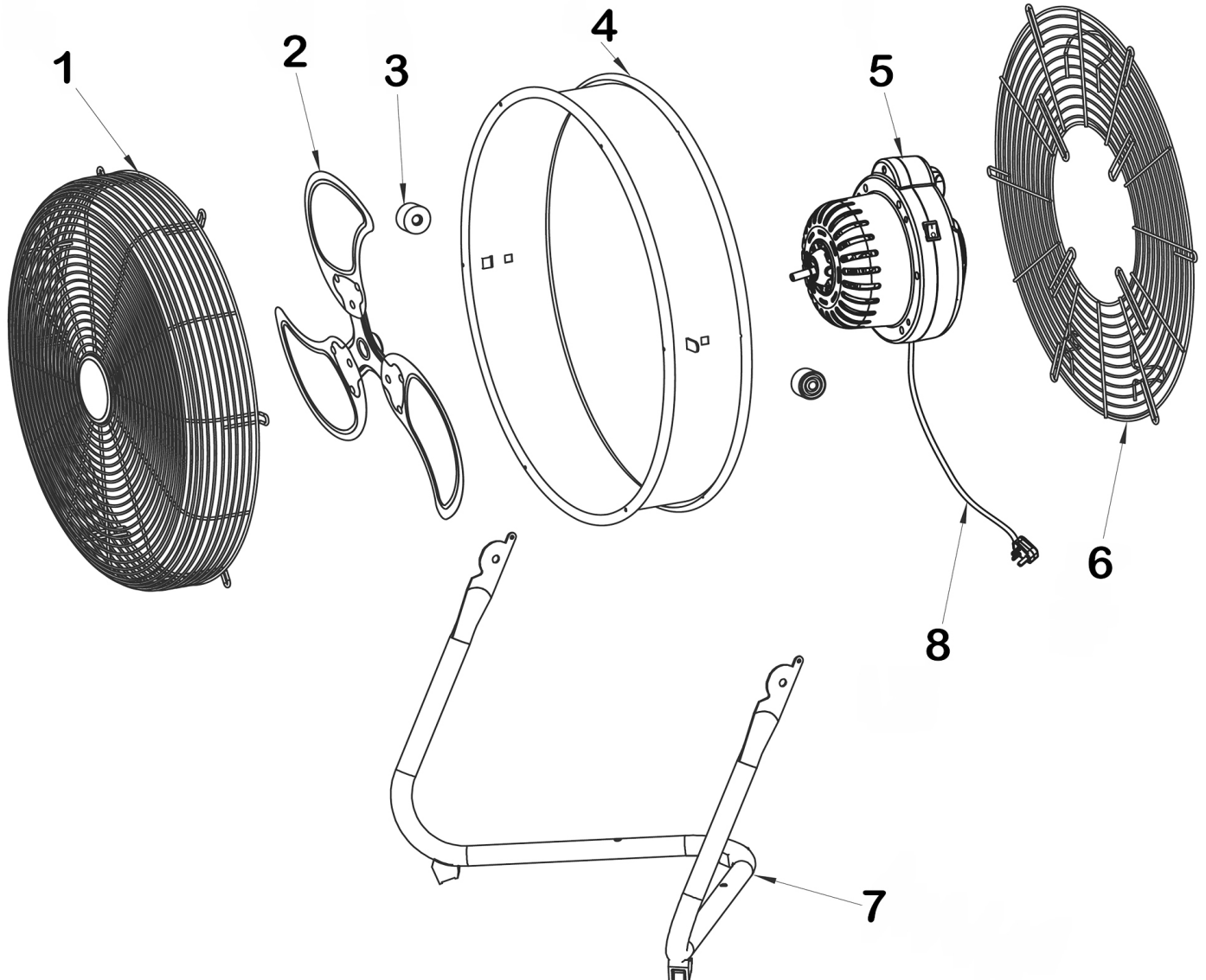


Parts Information:
**Industrial High Velocity Floor Fan with
 Internal Oscillation 18"**
Model No: HVF18IS



Item	Part No.	Description
1	HVF18IS.01	Front Guard
2	HVF18IS.02	Blade
3	HVF18IS.03	Rubber Support
4	HVF18IS.04	Drum Body
5	HVF18IS.05	Motor (External 230v 58w)

Item	Part No.	Description
6	HVF18IS.06	Rear Guard
7	HVF18IS.07	Bracket
8	HVF18IS.08	Power Cord (With Plug)
--	HVF18IS.FK	Fixing Kit (Not Shown)

NOTE: It is our policy to continually improve products and as such we reserve the right to alter data, specifications and component parts without prior notice. There may be alternative versions of this product, please contact us should you require this information.

IMPORTANT: No liability is accepted for incorrect use of product. Spare parts must be fitted by a competent person

WARRANTY: Guarantee is 12 months from purchase date, proof of which will be required for any claim.