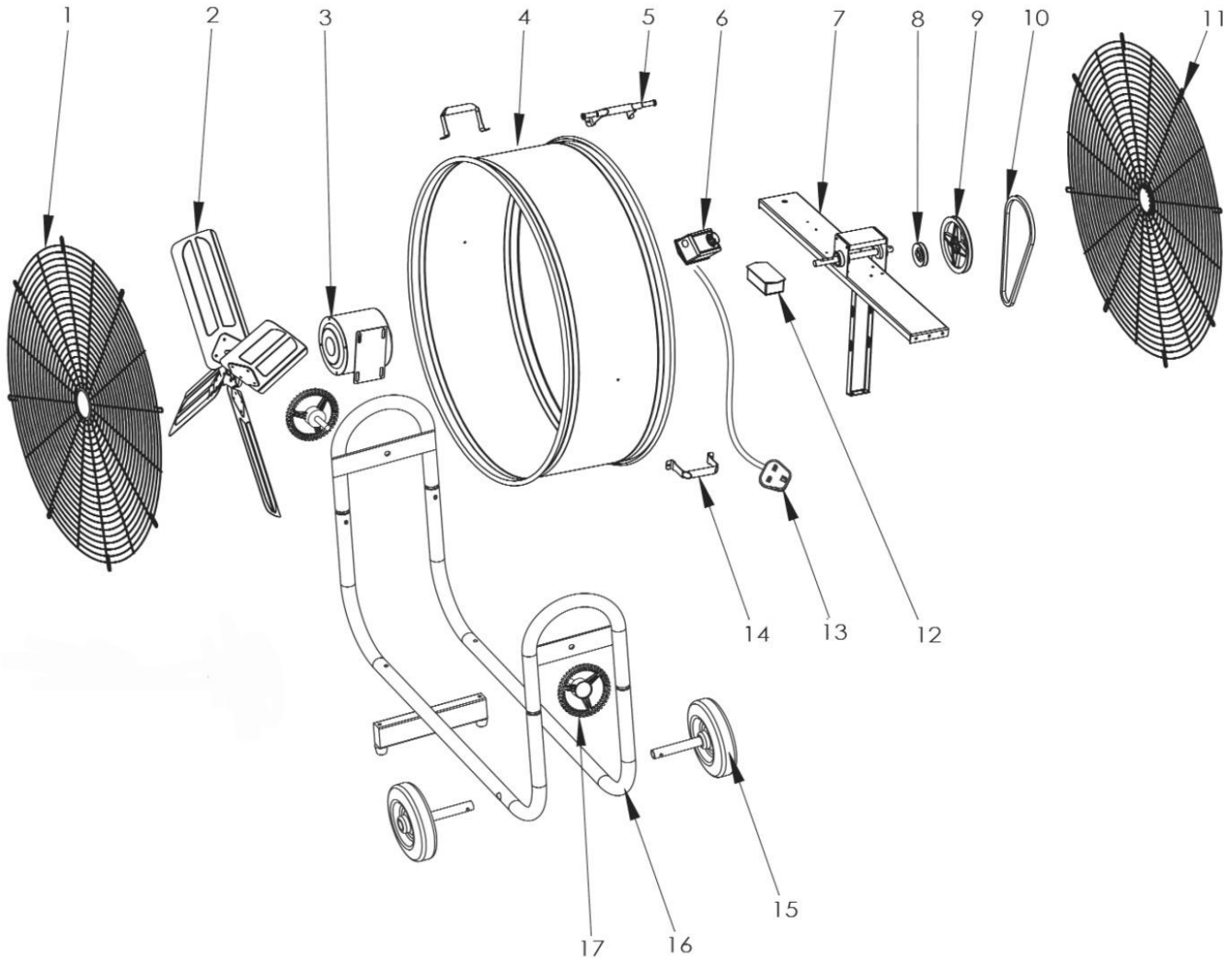


Parts Information:  
**Industrial High Velocity Drum Fan 42" Belt Drive 230V**  
**Model No: HVD42B**



Item	Part No.	Description
1	HVD42B.01	FRONT GUARD
2	HVD42B.02	FAN KIT (42")
3	HVD42B.03	MOTOR
4	HVD42B.04	DRUM
5	HVD42B.05	CORD WRAP
6	HVD36.V2-10	SWITCH COMPLETE (BOX, SWITCH AND WIRES)
7	HVD42B.07	MIDDLE SUPPORT
8	HVD42B.08	BUSHING
9	HVD42B.09	PULLEY
10	HVD42B.10	BELT,RIBBED (ID-815)
11	HVD42B.11	REAR GUARD

Item	Part No.	Description
12	HVD42B.12	CONTROL BOX COVER ONLY
--	HVD42B.12-1	CAPACITOR 15uF/450V (CBB61) (NOT SHOWN)
13	MC3CX0.75	MAINS CABLE BLK, 3 CORE, 0.75 MM2
14	HVD42B.14	SIDE HANDLE
15	HVD42B.15	WHEEL, FIXED (200x20x47)
16	HVD42B.16	BASE
17	HVD36.V2-10	SWITCH COMPLETE (BOX, SWITCH AND WIRES)
--	HVD42B.17	TILT LOCKING HANDLE (NOT SHOWN)
--	HVD42B.18	WHEEL AXLE (FEMALE) (NOT SHOWN)
--	HVD42B.19	WHEEL AXLE (MALE) (NOT SHOWN)

**NOTE:** It is our policy to continually improve products and as such we reserve the right to alter data, specifications and component parts without prior notice.

**IMPORTANT:** No liability is accepted for incorrect use of product.

**WARRANTY:** Guarantee is 12 months from purchase date, proof of which will be required for any claim.