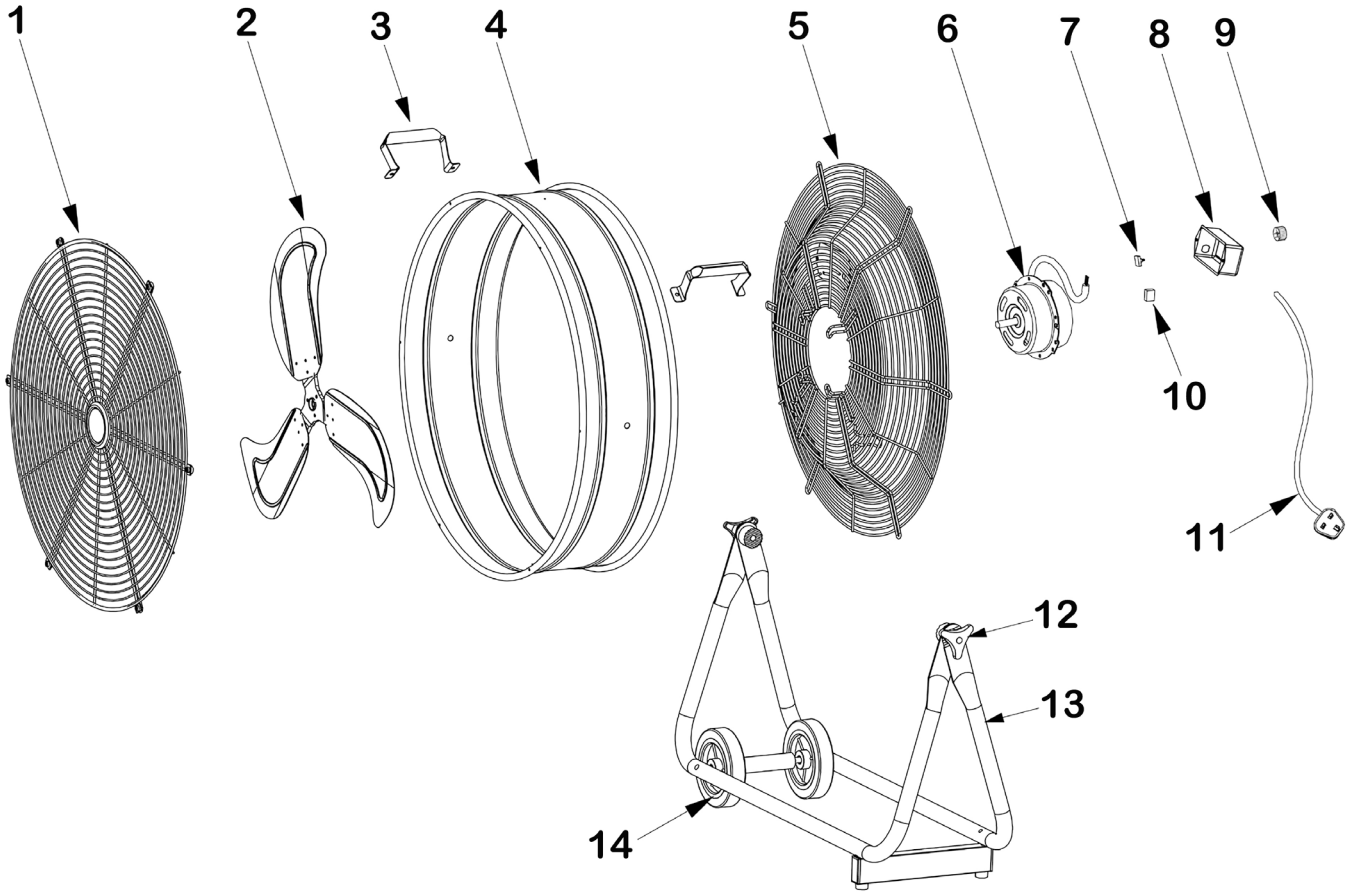




Parts Information:  
**Industrial High Velocity Drum Fan 24"**  
**230V**  
**Model No: HVD24.V3**



Item	Part No.	Description
1	HVD24.V3-01	Front Guard
2	HVD24.V3-02	Fan Blade 24"
3	HVD24.V3-03	Drum Handle
4	HVD24.V3-04	Drum
5	HVD24.V3-05	Rear Guard
6	HVD24.V3-06	Motor
7	HVD24.V3-07	Switch

Item	Part No.	Description
8	HVD24.V3-08	Switch Box
9	HVD24.V3-09	Speed Switch Knob
10	HVD24.V3-10	Capacitor
11	MC3CX0.75	Mains cable blk, 3 core, 0.75 mm2 (per metre)
12	HVD24.V3-12	Adjustable Knob
13	HVD24.V3-13	Base
14	HVD24.V3-14	Fixed Wheel

**NOTE:** It is our policy to continually improve products and as such we reserve the right to alter data, specifications and component parts without prior notice. There may be alternative versions of this product, please contact us should you require this information.

**IMPORTANT:** No liability is accepted for incorrect use of product. Spare parts must be fitted by a competent person

**WARRANTY:** Guarantee is 12 months from purchase date, proof of which will be required for any claim.

Sealey Group, Kempson Way, Suffolk Business Park, Bury St Edmunds, Suffolk. IP32 7AR



01284 757500



sales@sealey.co.uk



www.sealey.co.uk