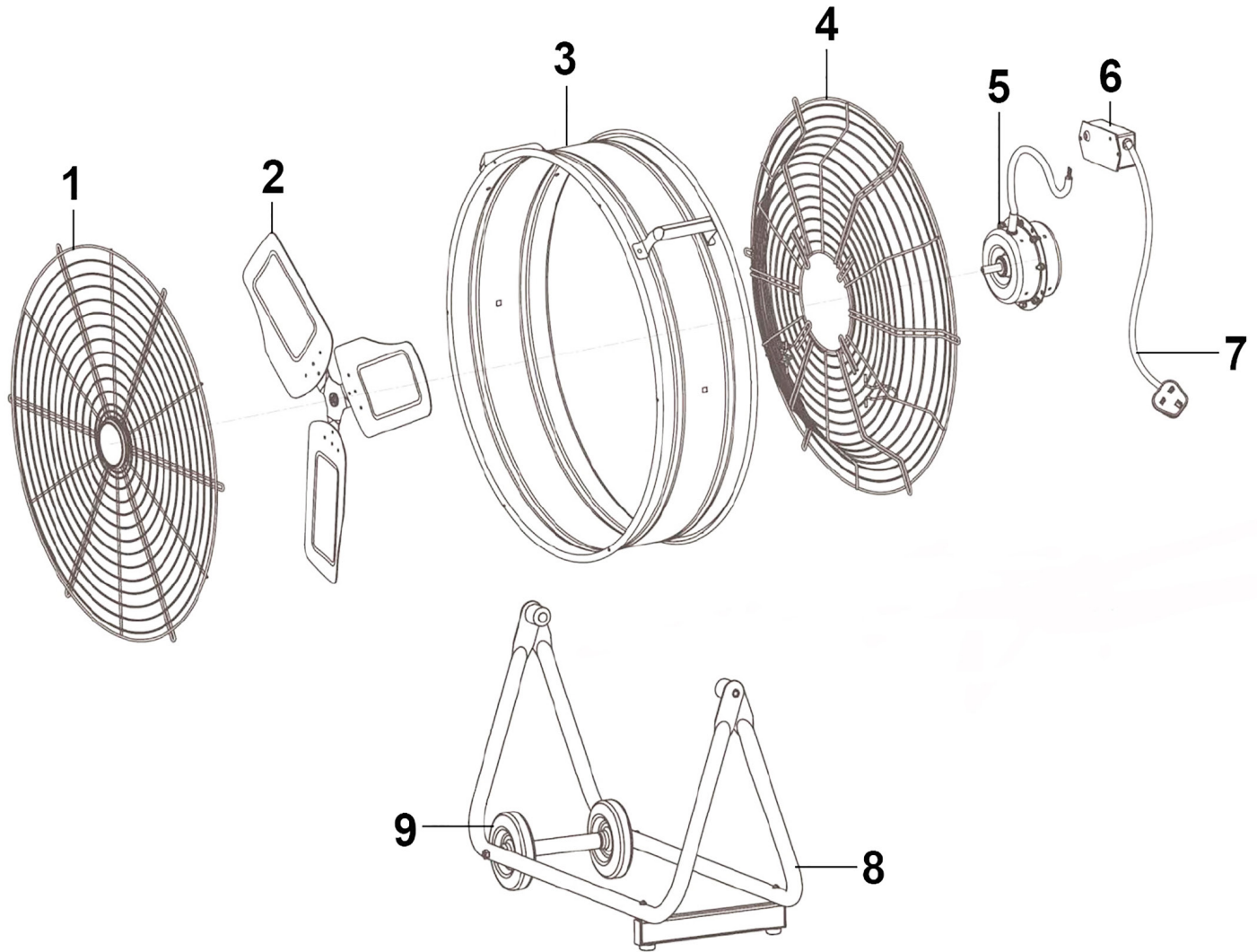




Parts Information:
Industrial High Velocity Drum Fan 24"
230V
Model No: HVD24.V2



Item	Part No.	Description
1	HVD24.V2-01	Front Guard
2	HVD24.V2-02	Fan Blade 24"
3	HVD24.V2-03	Drum
4	HVD24.V2-04	Rear Guard
5	HVD24.V2-05	Motor (External 220-240v 50hz)
6	HVD24.V2-06	Control Box

Item	Part No.	Description
7	MC3CX0.75	Mains Cable Blk, 3 Core, 0.75 mm2 (Per Metre)
8	HVD24.V2-08	Base
9	HVD24.V2-09	Fixed Wheel,Pair c/w Axle (125x35x15)
--	HVD36.V2-10	Rotary Switch c/w Housing and Mains Cable (Not Shown)
--	HVD36.V2-06	Control Box Cover (Not Shown)

NOTE: It is our policy to continually improve products and as such we reserve the right to alter data, specifications and component parts without prior notice. There may be alternative versions of this product, please contact us should you require this information.

IMPORTANT: No liability is accepted for incorrect use of product. Spare parts must be fitted by a competent person

WARRANTY: Guarantee is 12 months from purchase date, proof of which will be required for any claim.

Sealey Group, Kempson Way, Suffolk Business Park, Bury St Edmunds, Suffolk. IP32 7AR



01284 757500



sales@sealey.co.uk



www.sealey.co.uk