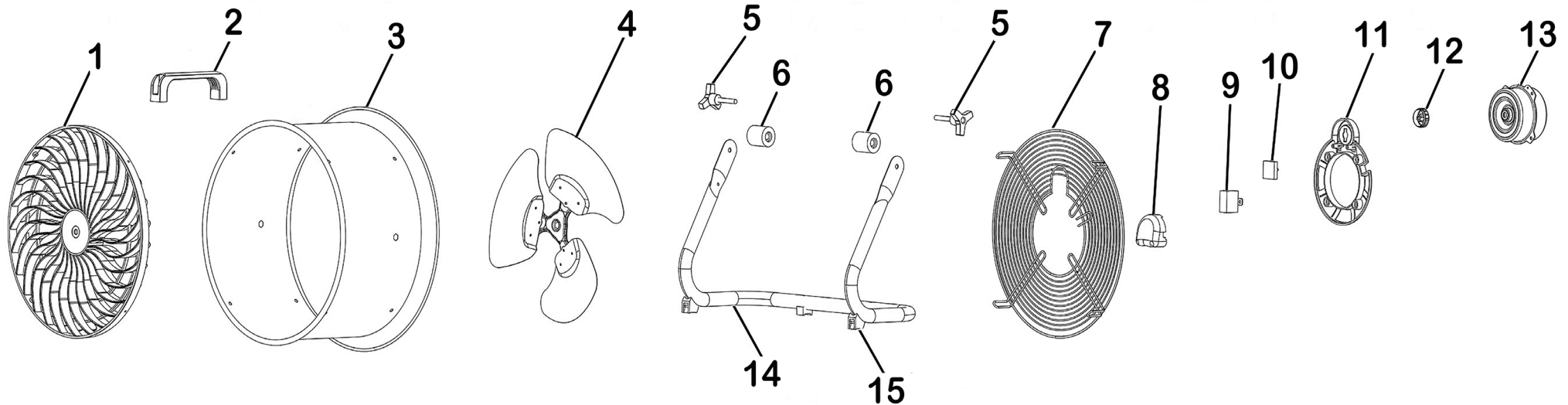




Parts Information:
High Velocity Drum Fan 16" 230V
Model No: HVD16



Item	Part No.	Description
1	HVD16.01	Fan Guard 16"
2	HVD16.02	Handle
3	HVD16.03	Body
4	HVD16.04	Fan Blade 16"
5	HVD16.05	Adjustable Knob

Item	Part No.	Description
6	HVD16.06	Rubber Support
7	HVD16.07	Rear Guard 16"
8	HVD16.08	Switch Housing
9	HVD16.09	Capacitor
10	HVD16.10	Switch

Item	Part No.	Description
11	HVD16.11	Switch Support Plate
12	HVD16.12	Switch Knob
13	HVD16.13	Motor
14	HVD16.14	Base
15	HVD16.15	Rubber Foot

NOTE: It is our policy to continually improve products and as such we reserve the right to alter data, specifications and component parts without prior notice.

There may be alternative versions of this product, please contact us should you require this information.

IMPORTANT: No liability is accepted for incorrect use of product. Spare parts must be fitted by a competent person

WARRANTY: Guarantee is 12 months from purchase date, proof of which will be required for any claim.

Sealey Group, Kempson Way, Suffolk Business Park, Bury St Edmunds, Suffolk. IP32 7AR



01284 757500



sales@sealey.co.uk



www.sealey.co.uk