

NOTE: It is our policy to continually improve products and as such we reserve the right to alter data, specifications and component parts without prior notice.

IMPORTANT: No liability is accepted for incorrect use of product.

WARRANTY: Guarantee is 12 months from purchase date, proof of which will be required for any claim.



Parts Information:
Hydraulic Platform Truck 750kg
Model No: HPT750

Item	Part No.	Description
101	HPT750.101M	Handle Grip
102	HPT750.102	Handle
103	HPT750.103	Pin
104	SN8.S	Steel Nut M8 Zinc Din934 (Single)
105	HPT750.105	Bolt With Hole m8x25
106	HPT750.106	Sleeve
107	HPT750.107	Pull Rod
108	HPT750.108	Pin
109	HPT750.109	Shaft
110	HPT750.110	Cam
111	HPT750.111	Pedal
112	HPT750.112	Screw
113	SN8.S	Steel Nut M8 Zinc Din934 (Single)
114	HPT750.114	Washer
115	HPT750.115	Washer
116	HPT750.116	Bolt m8x9
117	HPT750.117	Bolt m10x25
118	SN10.S	Steel Nut M10 Zinc Din934(Single)
119	HPT750.119	Nut
120	HPT750.120	Spring
121	HPT750.121	Wheel Seat
122	HPT750.122	SKT. HD Bolt M12x8
123	HPT750.123	Brake
124	HPT750.124	Washer
125	B/6204-2RS	Bearing 6204-2RS
126	HPT1000.126	Wheel,Fixed (150x40x50)
127	HPT750.127	Axle
128	HPT750.128	Washer
129	SN12.S	Steel Nut M12 Zinc Din934(Single)
130	B/6205-2RS	Bearing 6205-2RS
131	HPT750.131	Washer
132	B/30205	Bearing 30205
133	HPT750.133	Frame

Item	Part No.	Description
134	HPT750.134	Bolt
135	HPT750.135	Shaft
136	HPT750.136	Retaining Ring
137	HPT750.137	Axle For Wheel
138	HPT750.138	Pump Unit
139	HPT750.139	Pin
140	HPT750.140	Roller
141	HPT750.141	Retaining Ring
142	HPT750.142	Pin
143	HPT750.143	Washer
144	HPT750.144	Retaining Ring
145	HPT750.145	Connecting Rod
146	HPT750.146	Cushion
147	HPT750.147	Bolt
148	HPT750.148	Washer
149	HPT750.149	Washer
150	HPT750.150	Nut
151	HPT750.151	Protecting Cover
152	HPT750.152	Pedal Bar
153	HPT750.153	Retaining Ring
154	HPT750.154	Roller
155	HPT750.155	Roller
156	HPT750.156	Table
157	HPT750.157	Retaining Ring
158	HPT750.158	Shaft
159	HPT750.159	Arm
160	HPT750.160	Washer
161	HPT750.161	Screw
162	HPT750.162	Screw
163	HPT750.163	Nut
164	HPT750.164	Support
165	HPT750.165	Pin
--	HPT750.166	Protector (NOT SHOWN)

NOTE: It is our policy to continually improve products and as such we reserve the right to alter data, specifications and component parts without prior notice.

IMPORTANT: No liability is accepted for incorrect use of product.

WARRANTY: Guarantee is 12 months from purchase date, proof of which will be required for any claim.

Sealey Group, Kempson Way, Suffolk Business Park, Bury St Edmunds, Suffolk. IP32 7AR



01284 757500



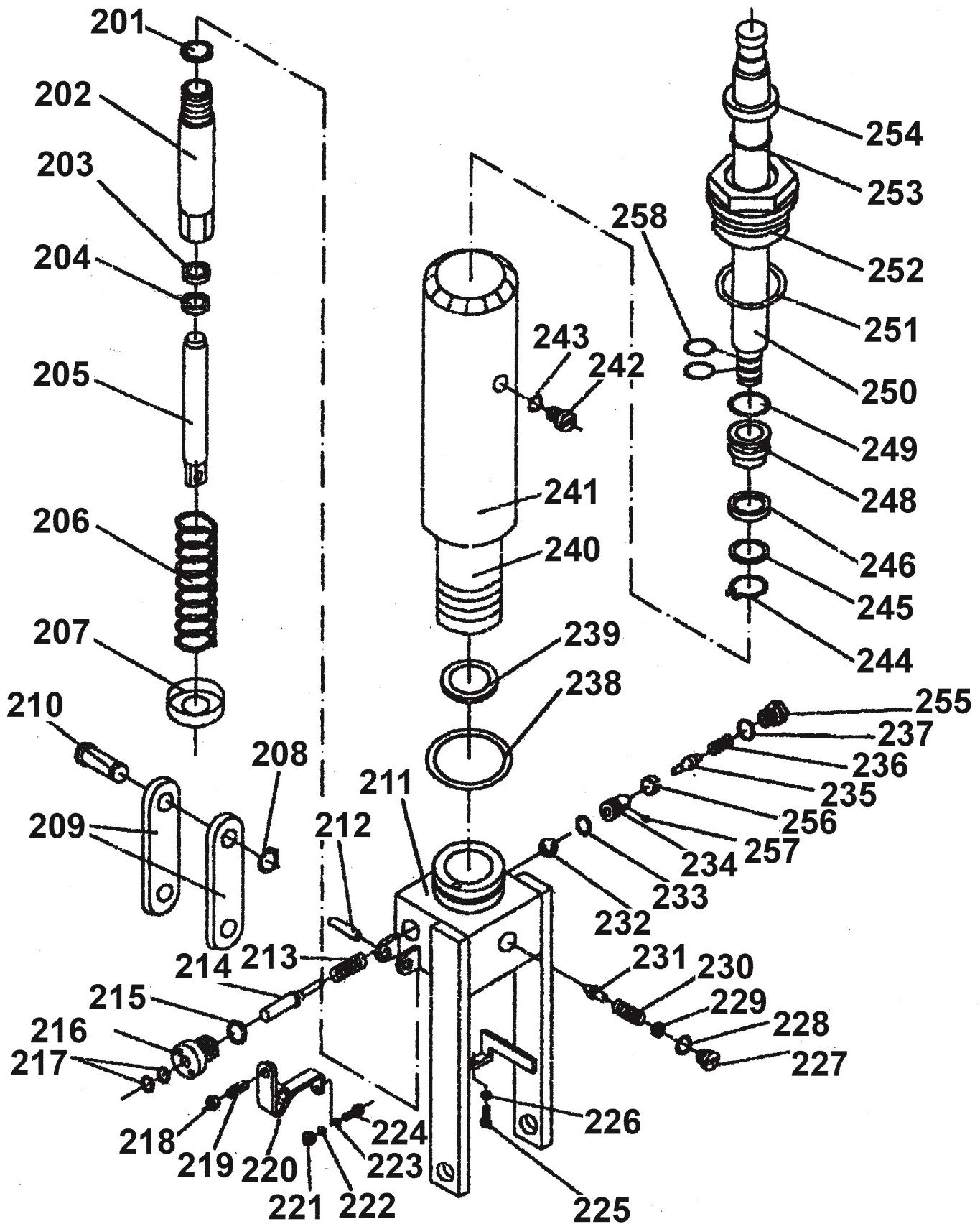
01284 703534



sales@sealey.co.uk



www.sealey.co.uk



NOTE: It is our policy to continually improve products and as such we reserve the right to alter data, specifications and component parts without prior notice.

IMPORTANT: No liability is accepted for incorrect use of product.

WARRANTY: Guarantee is 12 months from purchase date, proof of which will be required for any claim.



Parts Information:
Hydraulic Platform Truck 750kg
Model No: HPT750

Item	Part No.	Description
--	HPT750.167	Bolt (NOT SHOWN)
--	HPT750.168	Bushing (NOT SHOWN)
201	HPT750.201	Seal Washer
202	HPT750.202	Pump Cylinder
203	HPT750.203	Dust Ring
204	HPT750.204	Y-Seal
205	HPT750.205	Pump Piston
206	HPT750.206	Spring
207	HPT750.207	Spring Cap
208	HPT750.208	Retaining Ring
209	HPT750.209B	Joint Plate
210	HPT750.210	Pin
211	HPT750.211B	Pump Body
212	HPT750.212	Pin
213	HPT750.213	Spring
214	HPT750.214B	Pin
215	HPT750.215	Seal Washer
216	HPT750.216B	Axle Sleeve
217	HPT750.217	O-Ring
218	SN8.S	Steel Nut M8 Zinc Din934 (Single)
219	HPT750.219	Screw
220	HPT750.220	Lever Plate
221	SN8.S	Steel Nut M8 Zinc Din934 (Single)
222	HPT750.222	Washer
223	HPT750.223	Washer
224	HPT750.224	Bolt M8x20 With Hole
225	HPT750.225	Bolt With Hole M8x20
226	SN8.S	Steel Nut M8 Zinc Din934 (Single)
227	HPT750.227	Plug
228	HPT750.228	O-Ring

Item	Part No.	Description
229	HPT750.229	Adjusting Bolt M14x6
230	HPT750.230	Spring
231	HPT750.231	Spindle For Safety Valve
232	SB-7.0	Steel Ball 7.0mm
233	HPT750.233	O-Ring
234	HPT750.234	Seat For Pumping Valve
235	HPT750.235	Spindle For Pumping Valve
236	HPT750.236	Spring
237	HPT750.237	Seal Washer
238	HPT750.238B	O-Ring
239	HPT750.239B	Seal Washer
240	HPT750.240B	Cylinder
241	HPT750.241B	Housing
242	HPT750.242	Phillips Bolt M8x12
243	HPT750.243	Seal Washer
244	HPT750.244	Retaining Ring
245	HPT750.245B	Washer
246	HPT750.246B	O-Ring
--	HPT750.247B	Cup Packing (NOT SHOWN)
248	HPT750.248B	Piston
249	HPT750.249B	O-Ring
250	HPT750.250B	Piston Rod
251	HPT750.251B	O-Ring
252	HPT750.252B	Cylinder Cap
253	HPT750.253B	O-Ring
254	HPT750.254B	Dust Ring
255	HPT750.255B	Plug
256	HPT750.256	Throttle Sheath
257	HPT750.257	Bolt
258	HPT750.258B	O-Ring

NOTE: It is our policy to continually improve products and as such we reserve the right to alter data, specifications and component parts without prior notice.

IMPORTANT: No liability is accepted for incorrect use of product.

WARRANTY: Guarantee is 12 months from purchase date, proof of which will be required for any claim.

Sealey Group, Kempson Way, Suffolk Business Park, Bury St Edmunds, Suffolk. IP32 7AR



01284 757500



01284 703534



sales@sealey.co.uk



www.sealey.co.uk