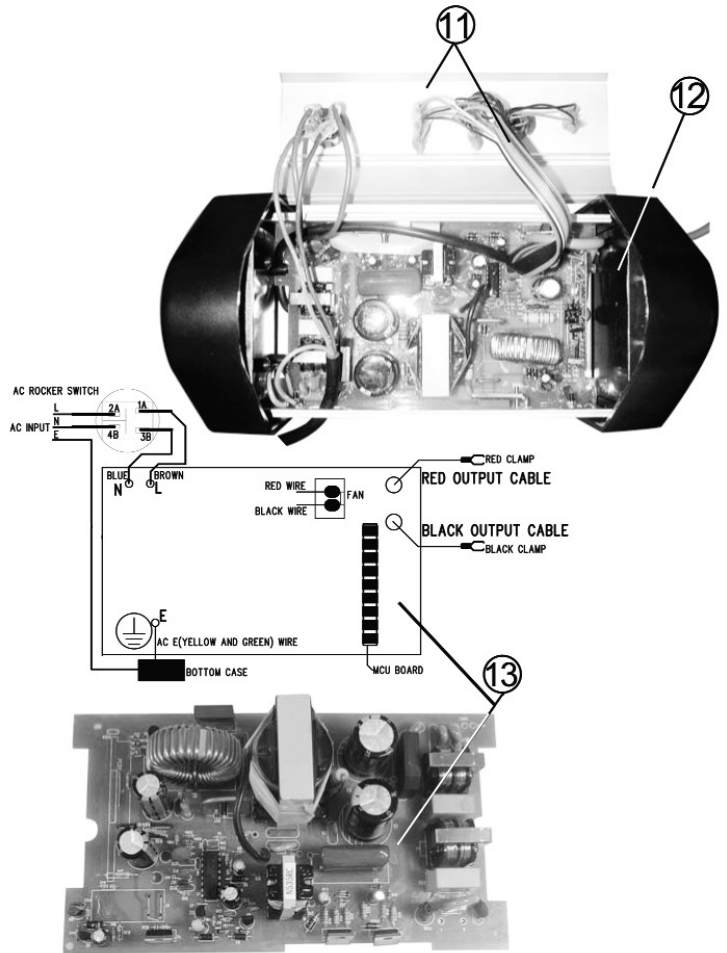




Parts Information:
**SmartCharge Inverter Battery Charger 12V
 16Amp 230V
 Model No: HFC16**



Item	Part No.	Description
1	HFC8.01	Red Clamp
2	HFC16.02	Red Charging Cable (Positive)
3	HFC8.03	Black Clamp
4	HFC16.04	Black Charging Cable (Negative)
5	HFC16.05	Main Power Switch
6	HFC8.06	Left Case Cover
7	HFC8.07	Right Case Cover
8	HFC16.08	Handle

Item	Part No.	Description
9	HFC16.09	Front Label
10	HFC16.10	Safety Warning Label
11	HFC16.11	Top Display C/W Labels
12	HFC16.12	Cooling Fan
13	HFC16.13	PCB Board
--	HFC16.14	Bottom Panel (NOT SHOWN)
--	HFC12.15	Selection Switch (NOT SHOWN)

NOTE: It is our policy to continually improve products and as such we reserve the right to alter data, specifications and component parts without prior notice.

IMPORTANT: No liability is accepted for incorrect use of product.

WARRANTY: Guarantee is 12 months from purchase date, proof of which will be required for any claim.

Sealey Group, Kempson Way, Suffolk Business Park, Bury St Edmunds, Suffolk. IP32 7AR



01284 757500



01284 703534



sales@sealey.co.uk



www.sealey.co.uk