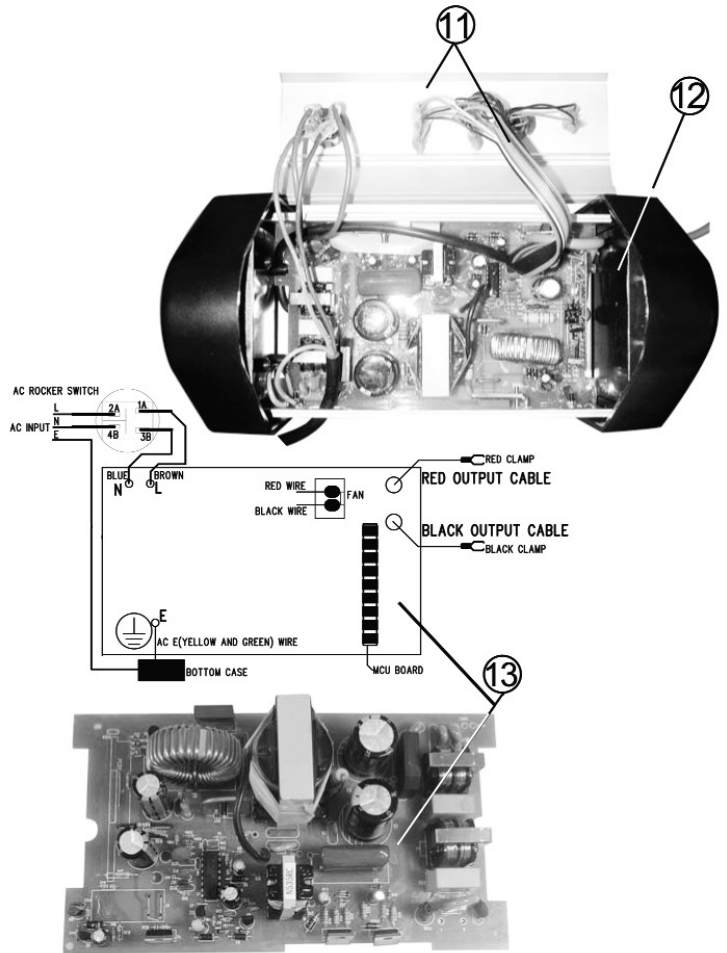




Parts Information:  
**SmartCharge Inverter Battery Charger 12V  
 12Amp 230V  
 Model No: HFC12**



Item	Part No.	Description
1	HFC8.01	Red Clamp
2	HFC12.02	Red Charging Cable (Positive)
3	HFC8.03	Black Clamp
4	HFC12.04	Black Charging Cable (Negative)
5	HFC16.05	Main Power Switch
6	HFC8.06	Left Case Cover
7	HFC8.07	Right Case Cover
8	HFC12.08	Handle

Item	Part No.	Description
9	HFC12.09	Front Label
10	HFC12.10	Safety Warning Label
11	HFC12.11	Top Display C/W Labels
12	HFC12.12	Cooling Fan
13	HFC12.13	PCB Board
--	HFC12.14	Bottom Panel (NOT SHOWN)
--	HFC12.15	Selection Switch (NOT SHOWN)

**NOTE:** It is our policy to continually improve products and as such we reserve the right to alter data, specifications and component parts without prior notice.

**IMPORTANT:** No liability is accepted for incorrect use of product.

**WARRANTY:** Guarantee is 12 months from purchase date, proof of which will be required for any claim.

**Sealey Group**, Kempson Way, Suffolk Business Park, Bury St Edmunds, Suffolk. IP32 7AR



01284 757500



01284 703534



sales@sealey.co.uk



www.sealey.co.uk