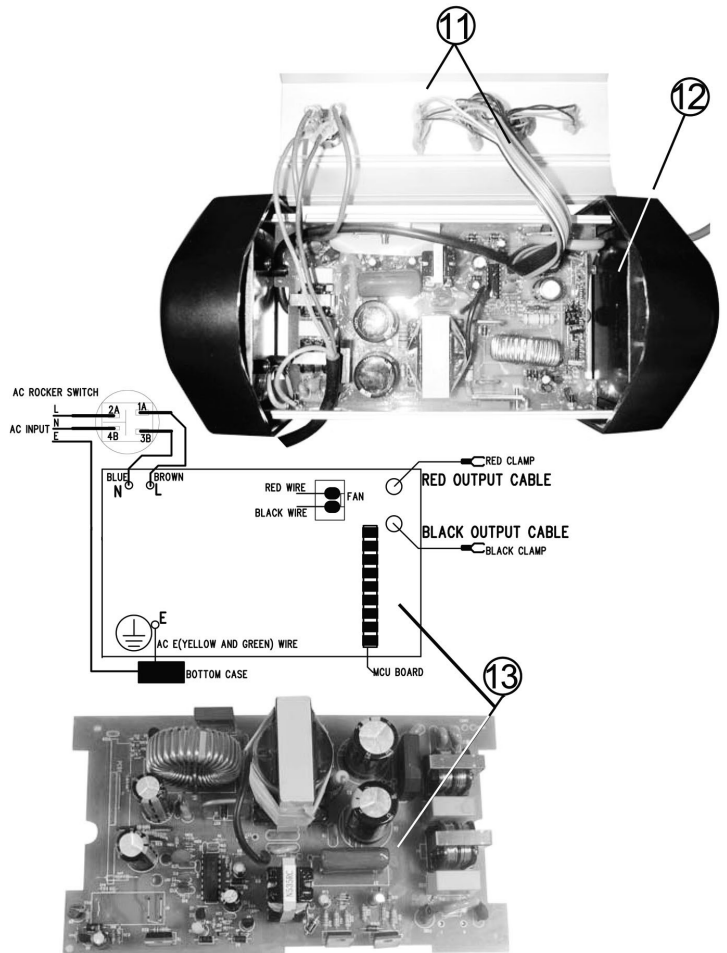




Parts Information:
SmartCharge Inverter Battery Charger
Lead Calcium 12V 12Amp 230V
Model No: HFC12LC



Item	Part No.	Description
1	HFC8.01	Red Clamp
2	HFC12.02	Red Charging Cable (Positive)
3	HFC8.03	Black Clamp
4	HFC12.04	Black Charging Cable (Negative)
5	HFC16.05	Main Power Switch
6	HFC8.06	Left Case Cover
7	HFC8.07	Right Case Cover

Item	Part No.	Description
8	HFC12.08	Handle
9	HFC12LC.09	Front Label
10	HFC12LC.10	Safety Warning Label
11	HFC12LC.11	Top Display C/W Labels
12	HFC12.12	Cooling Fan
13	HFC12LC.13	PCB Board

NOTE: It is our policy to continually improve products and as such we reserve the right to alter data, specifications and component parts without prior notice.

IMPORTANT: No liability is accepted for incorrect use of product.

WARRANTY: Guarantee is 12 months from purchase date, proof of which will be required for any claim.

Sealey Group, Kempson Way, Suffolk Business Park, Bury St Edmunds, Suffolk. IP32 7AR



01284 757500



01284 703534



sales@sealey.co.uk



www.sealey.co.uk