

NOTE: It is our policy to continually improve products and as such we reserve the right to alter data, specifications and component parts without prior notice. There may be alternative versions of this product, please contact us should you require this information.

IMPORTANT: No liability is accepted for incorrect use of product. Spare parts must be fitted by a competent person

WARRANTY: Guarantee is 12 months from purchase date, proof of which will be required for any claim.



Parts Information:
Pneumatic Oil Filter Crusher
Model No: HFC08.V2

Item	Part No.	Description
1	HFC08.V2-01	Connection
2	HFC08.V2-02	Regulator With Filter
3	SWM5.SB	Spring Washer M5 Black
4	SCB510.SB	Socket Cap Bolt M5 x 10mm Black
5	HFC08.V2-05	Elbow Connector
6	HFC08.V2-06	Air Pipe 1~ (8*280mm)
7	HFC08.V2-07	Air Switch Rod
8	HFC08.V2-08	Air Switch. w/o Rod
9	SCB422.S	"Socket Cap Bolt M4 x 22mm
10	HFC08.V2-10	Air Pipe 2~ (8*235mm)
11	SCB530.SB	Socket Cap Bolt M5 x 30mm Black
12	HFC08.V2-12	Muffler (1/4")
13	HFC08.V2-13	Air Pipe 3 (8*250mm)
14	HFC08.V2-14	Air Pipe 4 (8*220mm)
15	HFC08.V2-15	Quick Vent Valve
16	HFC08.V2-16	Muffler (3/8")
17	HFC08.V2-17	Air Pipe 5 (8*500mm)
18	HFC08.V2-18	Drain Hose 11mm x 21mm x 790mm
19	HFC08.V2-19	Clamp
20	HFC08.V2-20	Crusher Plate Ass'y
21	FWM4.S	Flat Washer M4
22	NLN4.S	Nyloc Nut M4 Zinc
23	HFC08.V2-23	Perspex Screen
24	HFC08.V2-24	Door

Item	Part No.	Description
25	MSP410.S	Machine Screw Pan Head Phillips M4 X 10mm
26	HFC08.V2-26	Lock Ass'y
27	HFC08.V2-27	Support Frame Ass'y
28	HFC08.V2-28	Guide ring
29	PBS90.18	O-Ring, (Ex: 59.48 In: 53.60 Cs: 2.94)
30	HFC08.V2-30	O-Ring, (Ex: 286.05 In: 278.99 Cs: 3.53)
31	SN12.S	Steel Nut M12 Zinc
32	HFC08.V2-32	Shaft For Cylinder
33	FWM12.S	Flat Washer M12 Zinc
34	YK509FAH.06	Flat Washer M12
35	HFC08.V2-35	Piston Rod Ass'y
36	HFC08.V2-36	O-Ring, (Ex: 302.13 In: 291.47 Cs: 5.33)
37	HFC08.V2-37	Guide Ring
38	HFC08.V2-38	Seal Ring
39	HFC08.V2-39	Plate Ass'y
40	SWM10.SB	Spring Washer M10 Black
41	SS1020.S	Hex Head Set Screw M10 X 20 Zinc
42	HFC08.V2-42	Air Cylinder
43	HFC08.V2-43	Upper Cover Ass'y
44	HFC08.V2-44	Safety Valve
45	HFC08.V2-45	Connector (1/4")
46	HFC08.V2-46	Control Valve
--	HFC08.V2-47	Stand Complete (See Separate Diagram)

NOTE: It is our policy to continually improve products and as such we reserve the right to alter data, specifications and component parts without prior notice. There may be alternative versions of this product, please contact us should you require this information.

IMPORTANT: No liability is accepted for incorrect use of product. Spare parts must be fitted by a competent person

WARRANTY: Guarantee is 12 months from purchase date, proof of which will be required for any claim.

Sealey Group, Kempson Way, Suffolk Business Park, Bury St Edmunds, Suffolk. IP32 7AR



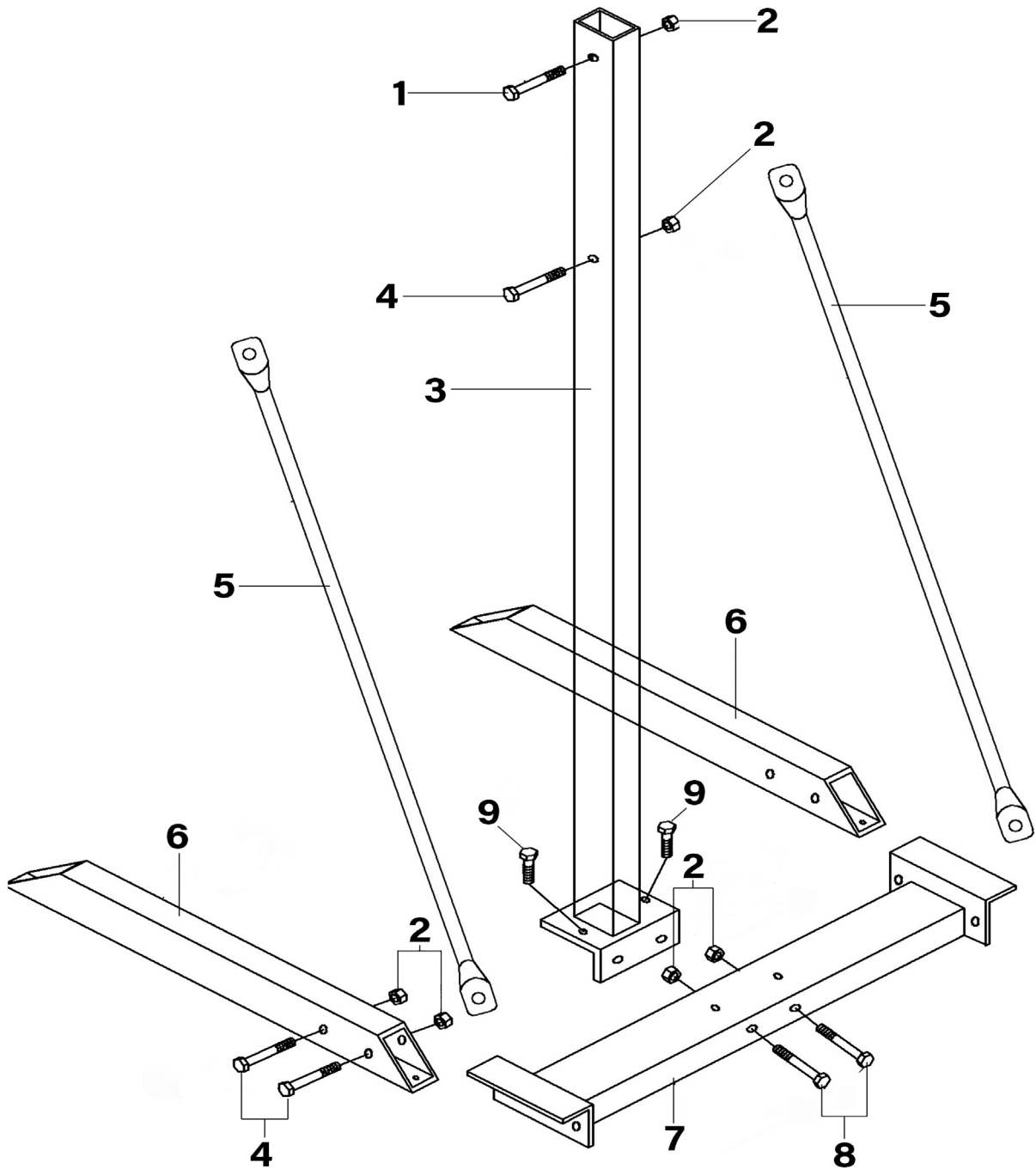
01284 757500



sales@sealey.co.uk



www.sealey.co.uk



Item	Part No.	Description
1	HFC08.V2-S1	Bolt M12x85
2	NLN12.S	Nyloc Nut M12 Zinc
3	HFC08.V2-S3	Upright Ass'y
4	HHB1270.S	Hex Head Bolt M12 x 70mm
5	HFC08.V2-S5	Support Bar

Item	Part No.	Description
6	HFC08.V2-S6	Leg
7	HFC08.V2-S7	Base Ass'y
8	HFC08.V2-S8	Bolt M12x110
9	HFC08.V2-S9	Bolt M8x20

NOTE: It is our policy to continually improve products and as such we reserve the right to alter data, specifications and component parts without prior notice. There may be alternative versions of this product, please contact us should you require this information.

IMPORTANT: No liability is accepted for incorrect use of product. Spare parts must be fitted by a competent person

WARRANTY: Guarantee is 12 months from purchase date, proof of which will be required for any claim.