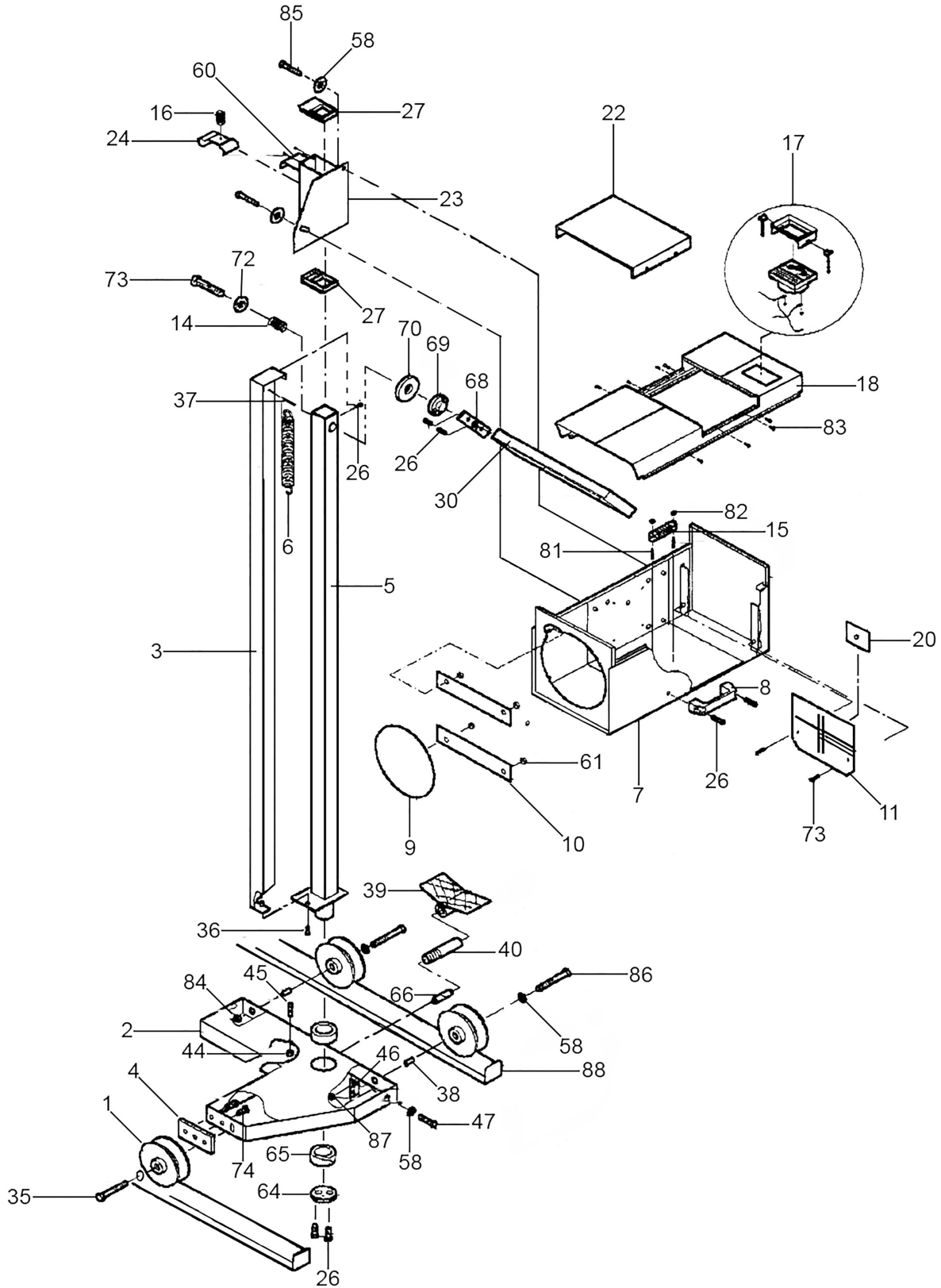




Parts Information:
Headlamp Beam Setter with Rails - DVSA Approved
Model No: HBS97V2



NOTE: It is our policy to continually improve products and as such we reserve the right to alter data, specifications and component parts without prior notice. There may be alternative versions of this product, please contact us should you require this information.

IMPORTANT: No liability is accepted for incorrect use of product. Spare parts must be fitted by a competent person

WARRANTY: Guarantee is 12 months from purchase date, proof of which will be required for any claim.

Jack Sealey Ltd t/a Sealey Group, Kempson Way, Suffolk Business Park, Bury St Edmunds, Suffolk, IP32 7AR UK
Jack Sealey (EU) Ltd t/a Sealey Group, Farney Street, Carrickmacross, Co. Monaghan, A81 PK68 Ireland
Tel: 01284 757500 · Email: sales@sealey.co.uk · Web: www.sealey.co.uk



TM

Parts Information:
**Headlamp Beam Setter with Rails - DVSA
 Approved**
Model No: HBS97V2

Item	Part No.	Description
1	TC024010004	Wheel, Fixed, Plastic (c/w bushing) (Ø98 x 35 x 11mm)
2	TC029010023	Base
3	TC020010042	Column Case
4	TC020010091	Plate for Regulation Wheel
5	TC020010092	Column 1650mm
6	TC025010004	Spring For Vertical Sliding System Ø30.2mm
7	TC024010002	Optical Box (Diagonal Corners)
8	TC025030011	Black Handle
9	TC025030014	Glass Ø200mm
10	TC025030013	Lens Stand
11	TC027010037A	Aiming Screen (Light Vehicles)(from 2005)
14	TC025020009	Brake Spring Ø19.8mm
15	TC020010038	Spirit Level
16	TC026010011	Spring Covered In Black Heat Shrink
17	TC020020053	Luxmeter (0/240)
18	TC020010255	Steel
20	TC020020018	Electronic Ward (c/w Photodiode)
22	TC020010050	Plexiglass Cover
23	TC025010005	Vertical Sliding System
24	TC025010135	Spring Pusher Assembly
26	TCNA0010009	Screw M6 x 16mm
27	TC025010130	Brake, VSS
30	TC025020011	Mirror Visor
35	SS850.S	Hex Head Set Screw M8 x 50mm
36	TCNA5010010	Screw M6 x 16mm
37	TCNA0010010	Screw M5 x 45mm
38	TC020010047	Wheel Axle (Ø14mm x 45mm)
39	TC022040010	Brake Pedal
40	TC022040006	Pivot-Thread, Brake
44	SN10.S	Steel Nut M10
45	TCNA0010002	Screw M10 x 16mm

Item	Part No.	Description
46	TC029010049	Regulator Plate
47	TCNA6010005	Screw M8 x 35mm
58	FWM8.S	Flat Washer M8
60	TCNA4010025	Rd Head S/T Screw M4 x 12mm Large Head
61	SN3.S	Steel Nut M3
64	TC025010068	Washer (2 Holes)
65	B/6005-2RS	Bearing 6005-2RS
66	TC022040014	Pivot Pin
68	TC025010122	Plate for Mirror Visor
69	TC025010121	Compass for Mirror Visor
70	TC025010123	PVC Washer
72	RW1038.S	Repair Washer M10 x 38mm
73	TCNA1010034	Screw M10 x 80mm
74	TCNA0010025	Screw M8 x 16mm
81	TC020010037	Spring for Spirit Level
82	SN4.S	Steel Nut M4
83	TCNA4010006	Screw 3.9 x 9.5mm
84	SN8.S	Steel Nut M8
85	SS825.S	Hex Head Set Screw M8 x 25mm
86	TCNA2010011	Screw M8 x 60mm
87	NLN10.S	Nyloc Nut M10
88	HBS97R	Rails for Headlamp Beam Setter - Please see Catalogue
--	TC020010051	Dust Cover - Optional (Not Shown)
--	TCNA2010037	Screw M8 x 110mm (Not Shown)
--	TC025010136	CPL. Sliding System
--	TC029010023_V	Base Only (Not Shown)
--	TC022010122	Column Mounting Support (Not Shown)
--	TC024010038	Optical Box Complete (Not Shown)
--	TC027010056	Aiming Screen - High Vehicles(Not Shown)
--	TC027010007	Aiming Screen - Left Hand Drive (Not Shown)

NOTE: It is our policy to continually improve products and as such we reserve the right to alter data, specifications and component parts without prior notice. There may be alternative versions of this product, please contact us should you require this information.

IMPORTANT: No liability is accepted for incorrect use of product. Spare parts must be fitted by a competent person

WARRANTY: Guarantee is 12 months from purchase date, proof of which will be required for any claim.

Jack Sealey Ltd t/a Sealey Group, Kempson Way, Suffolk Business Park, Bury St Edmunds, Suffolk, IP32 7AR UK

Jack Sealey (EU) Ltd t/a Sealey Group, Farney Street, Carrickmacross, Co. Monaghan, A81 PK68 Ireland

Tel: 01284 757500 · Email: sales@sealey.co.uk · Web: www.sealey.co.uk