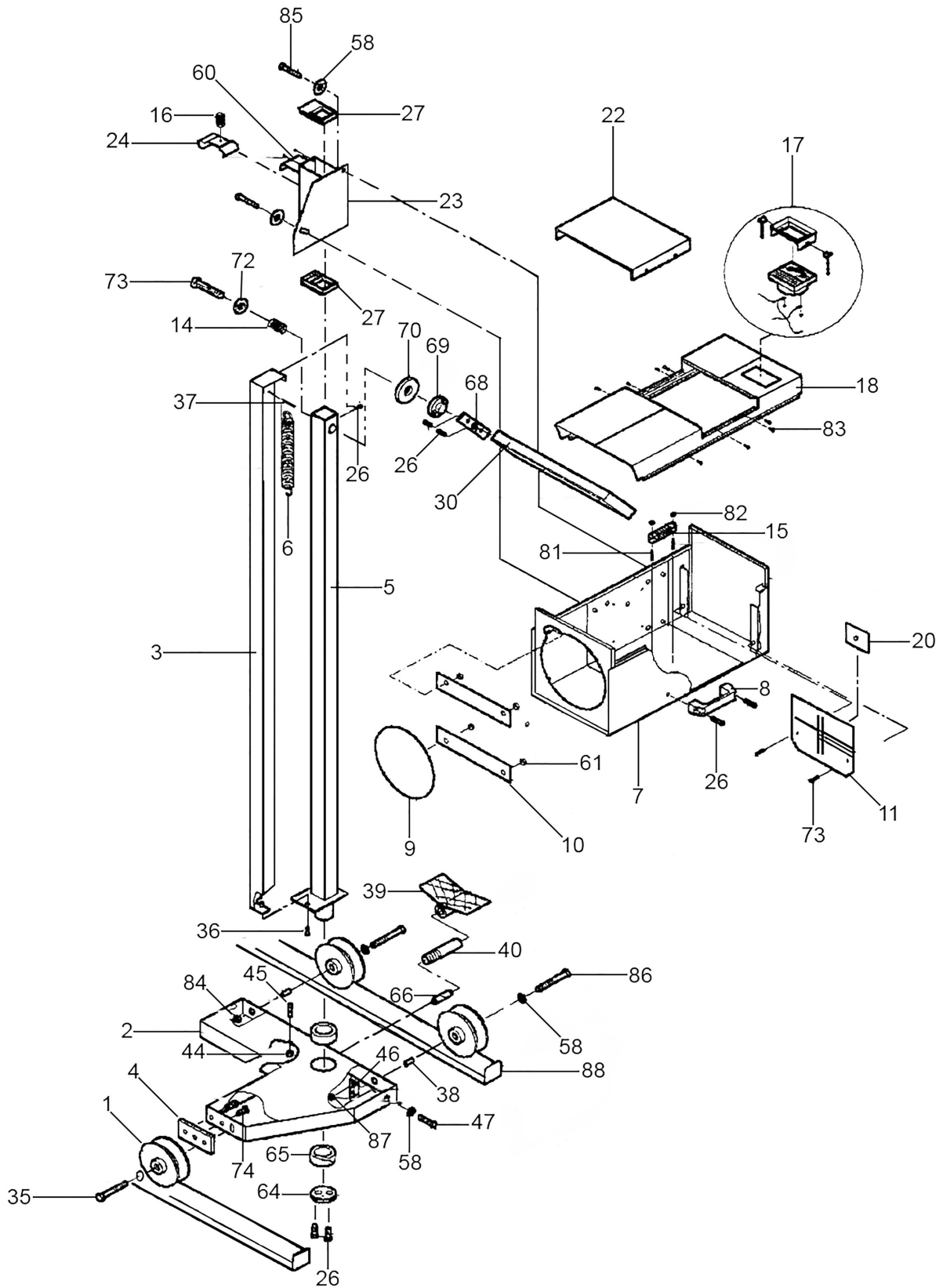




Parts Information:
**Headlamp Beam Setter with Rails &
Commercial Aiming Screen**
Model No: HBS97.HGV



NOTE: It is our policy to continually improve products and as such we reserve the right to alter data, specifications and component parts without prior notice. There may be alternative versions of this product, please contact us should you require this information.

IMPORTANT: No liability is accepted for incorrect use of product. Spare parts must be fitted by a competent person

WARRANTY: Guarantee is 12 months from purchase date, proof of which will be required for any claim.

Sealey Group, Kempson Way, Suffolk Business Park, Bury St Edmunds, Suffolk. IP32 7AR



01284 757500



sales@sealey.co.uk



www.sealey.co.uk



Parts Information:
**Headlamp Beam Setter with Rails &
Commercial Aiming Screen**
Model No: HBS97.HGV

Item	Part No.	Description
1	TC024010004	Fixed Wheel c/w bushing (D:98 W:35 B:11)
2	TC029010023	Base
3	TC020010042	Column Case
4	TC020010091	Plate For Regulation Wheel
5	TC020010092	Column- Height 1650
6	TC025010004	Spring For Vertical Sliding System Dia 30.2mm
7	TC024010002	Optical Box (Diagonal Corners)
8	TC025030011	Black Handle
9	TC025030014	Glass 200mm Dia
10	TC025030013	Lens Stand
11	TC027010056	Aiming Screen***For High Vehicles***
14	TC025020009	Brake Spring Dia 19.8mm
15	TC020010038	Spirit level
16	TC026010011	Spring Covered In Black Heat Shrink
17	TC020020053	Luxmeter (0/240)
18	TC020010152	Steel Cover
20	TC020020018	Electronic Card With Photodiode
22	TC020010050	Plexiglass Cover
23	TC025010005	Vertical Sliding System
24	TC025010135	Spring Pusher (Complete)
26	TCNA0010009	Screw (M6x16)
27	TC025010130	Brake, VSS
30	TC025020011	Mirror Visor
35	SS850.S	Hex Head Set Screw M8 X 50 Zinc
36	TCNA5010010	Screw, (M6x16)
37	TCNA0010010	Screw, (M5x45)
38	TC020010047	Wheel Bushing, Plastic (L:45mm D:14mm)

Item	Part No.	Description
39	TC022040010	Brake Pedal
40	TC022040006	Pivot-Thread For Brake
44	SN10.S	Steel Nut M10 Zinc
45	TCNA0010002	Screw, (M10x16)
46	TC029010049	Regulator Plate
47	TCNA6010005	Screw (M8x35)
58	FWM8.S	Flat Washer M8 Zinc
60	TCNA4010025	Rd Head S/T Screw M4 X 12 Large Head
61	SN3.S	Steel Nut M3 Zinc
64	TC025010068	Washer With 2 Holes
65	B/6005-2RS	Bearing 6005-2RS
66	TC022040014	Pivot Pin
68	TC025010122	Plate For Mirror Visor
69	TC025010121	Compass For Mirror Visor
70	TC025010123	Pvc Washer
72	RW1038.S	Repair Washer (M10 X 38)
73	TCNA1010034	Screw (M10x80)
74	TCNA0010025	Screw (M8x16)
81	TC020010037	Spring For Spirit Level
82	SN4.S	Steel Nut M4 Zinc
83	TCNA4010006	Screw (M3.9x9.5)
84	SN8.S	Steel Nut M8 Zinc
85	SS825.S	Hex Head Set Screw M8 X 25 Zinc
86	TCNA2010011	Screw (M8x60)
87	NLN10.S	Nyloc Nut M10 Zinc
88	HBS97R	Rails For Headlamp Beam Setter
--	TC020010051	Dust Cover (Not Shown)

NOTE: It is our policy to continually improve products and as such we reserve the right to alter data, specifications and component parts without prior notice. There may be alternative versions of this product, please contact us should you require this information.

IMPORTANT: No liability is accepted for incorrect use of product. Spare parts must be fitted by a competent person

WARRANTY: Guarantee is 12 months from purchase date, proof of which will be required for any claim.

Sealey Group, Kempson Way, Suffolk Business Park, Bury St Edmunds, Suffolk. IP32 7AR



01284 757500



sales@sealey.co.uk



www.sealey.co.uk