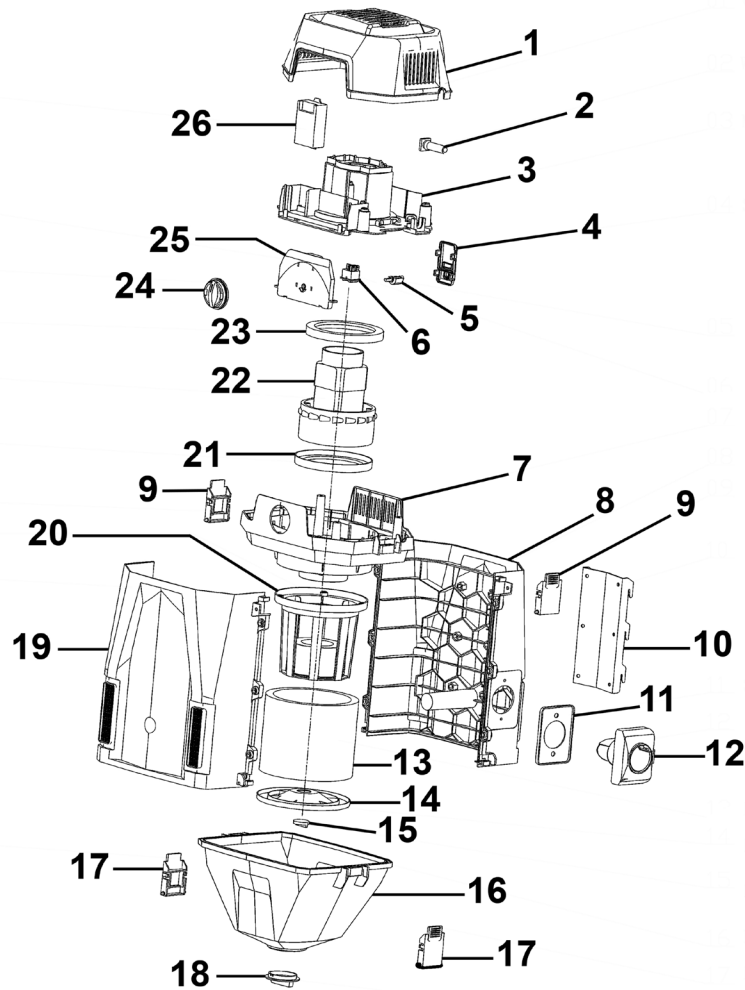


Parts Information:
Garage Vacuum 1500W with Remote Control - Wall Mounting
Model No: GV180WM.V2



Item	Part No.	Description
1	GV180WM-V2-01	Top Cover
2	GV180WM-V2-02	Cable Sleeve
3	GV180WM-V2-03	Motor Support, Upper Cover
4	GV180WM-V2-04	Switch Backing Cover
5	GV180WM-V2-05	Switch Shaft/Pin
6	GV180WM-V2-06	Rocker Switch
7	GV180WM-V2-07	Motor Support, Lower Cover
8	GV180WM-V2-08	Rear Cover
9	GV180WM-V2-09	Tank Clip (Upper)
10	GV180WM-V2-10	Hanging Frame Holder
11	GV180WM-V2-11	Air Inlet Seal
12	GV180WM-V2-12	Air Inlet
13	GV180WMV2CF	Cartridge Filter
14	GV180WM-V2-14	Filter Cover
15	GV180WM-V2-15	Filter Buckle Clip
16	GV180WM-V2-16	Dust Hopper
17	GV180WM-V2-17	Dust Hopper Clip

Item	Part No.	Description
18	GV180WM-V2-18	Dust Cover
19	GV180WM-V2-19	Front Cover
20	GV180WM-V2-20	Filter Basket
21	GV180WM-V2-21	Lower Motor Support Ring
22	GV180WM-V2-22	Motor
23	GV180WM-V2-23	Upper Motor Support Ring
24	GV180WM-V2-24	Switch Knob
25	GV180WM-V2-25	Switch Panel
26	GV180WM-V2-26	Remote Control
--	GV180WM-V2-ACC1	Telescopic Extension Tubes (Not Shown)
--	GV180WM-V2-ACC2	Round Brush (Not Shown)
--	GV180WM-V2-ACC3	Combo Brush (Not Shown)
--	GV180WM-V2-ACC4	Deluxe Car Nozzle (Not Shown)
--	GV180WM-V2-ACC5	Crevice Tool (Not Shown)
--	GV180WM-V2-ACC6	Elbow Connector (Not Shown)
--	GV180WM-V2-ACC7	Flexible Hose 10m (Not Shown)

NOTE: It is our policy to continually improve products and as such we reserve the right to alter data, specifications and component parts without prior notice. There may be alternative versions of this product, please contact us should you require this information.

IMPORTANT: No liability is accepted for incorrect use of product. Spare parts must be fitted by a competent person

WARRANTY: Guarantee is 12 months from purchase date, proof of which will be required for any claim.