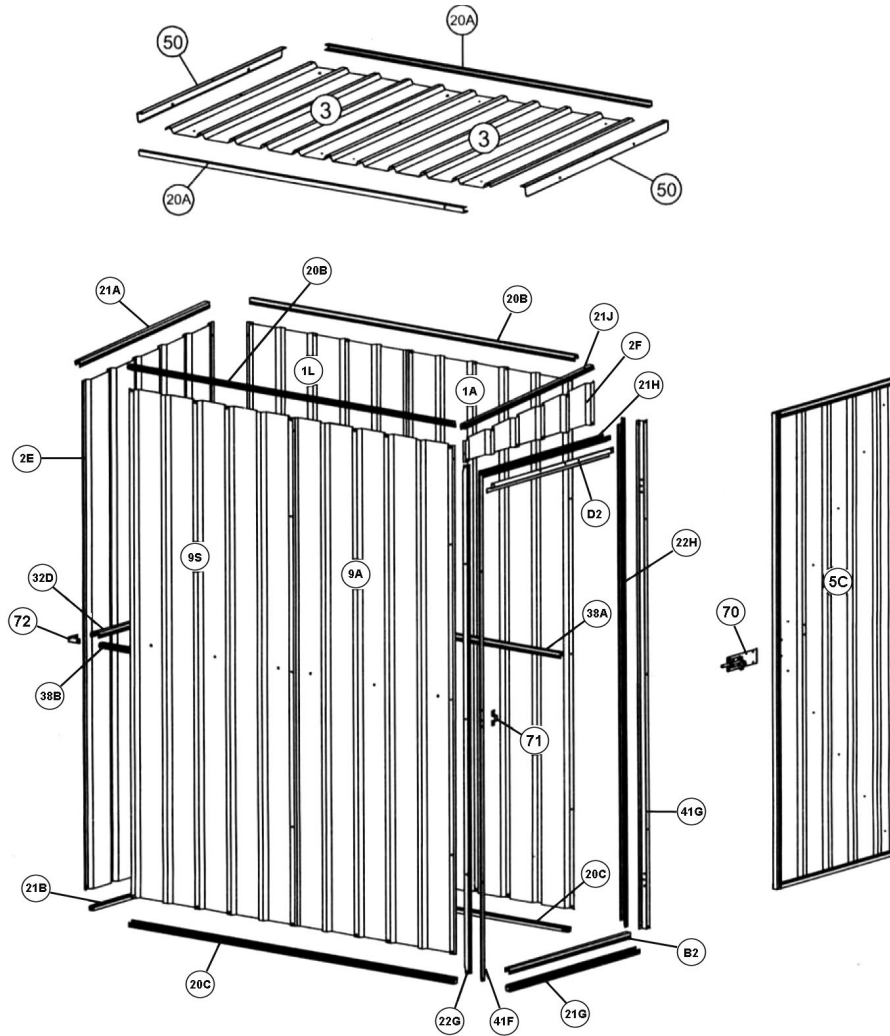


Parts Information:  
**Galvanized Steel Shed Green 1.5 x 0.8 x 1.9mtr**  
**Model No: GSS150819SDG**



Item	Part No.	Description
1A	GSSG.01A	REAR PANEL (R/S)
1L	GSSG.01L	REAR PANEL (LEFT SIDE)
2E	GSSG.02E	REAR PANEL
2F	GSSG.02F	GABLE
3	GSSG.03	ROOF PANEL
5C	GSSG.05C	DOOR
9A	GSSG.09A	FRONT PANEL (L/S)
9S	GSSG.09S	REAR/SIDE PANEL (LEFT/RIGHT SIDE)
20A	GSSG.20A	SUPPORT FOR ROOF/SIDE PANEL
20B	GSSG.20B	UPPER SUPPORT (REAR PANEL)
20C	GSSG.20C	LOWER SUPPORT (REAR PANEL)
21A	GSSG.21A	UPPER SUPPORT (SIDE PANEL)
21B	GSSG.21B	LOWER SUPPORT (SIDE PANEL)
21G	GSSG.21G	LOWER SUPPORT
21H	GSSG.21H	LOWER SUPPORT FOR GABLE

Item	Part No.	Description
21J	GSSG.21J	UPPER SUPPORT FOR GABLE
22G	GSSG.22G	UPPER SUPPORT BEAM (L/S)
22H	GSSG.22H	UPPER SUPPORT BEAM (R/S)
32D	GSSG.32D	MIDDLE SUPPORT (REAR PANEL)
38A	GSSG.38A	MIDDLE SUPPORT (SIDE PANEL)
38B	GSSG.38B	MIDDLE SUPPORT (SIDE PANEL)
41F	GSSG.41F	DOOR SUPPORT BEAM (L/S)
41G	GSSG.41G	DOOR SUPPORT BEAM (R/S)
50	GSSG.50	END ROOF SUPPORT
B2	GSSG.70	BOLT LOCK
D2	GSSG.71	LOCK BRACE
70	GSSG.72	ANGLE BRACE
71	GSSG.B2	DOOR SUPPORT
72	GSSG.D2	DOOR SUPPORT
--	GSSG.FK	FIXING KIT (FOR GSS150819SDG) (NOT SHOWN)

**NOTE:** It is our policy to continually improve products and as such we reserve the right to alter data, specifications and component parts without prior notice.

**IMPORTANT:** No liability is accepted for incorrect use of product.

**WARRANTY:** Guarantee is 12 months from purchase date, proof of which will be required for any claim.