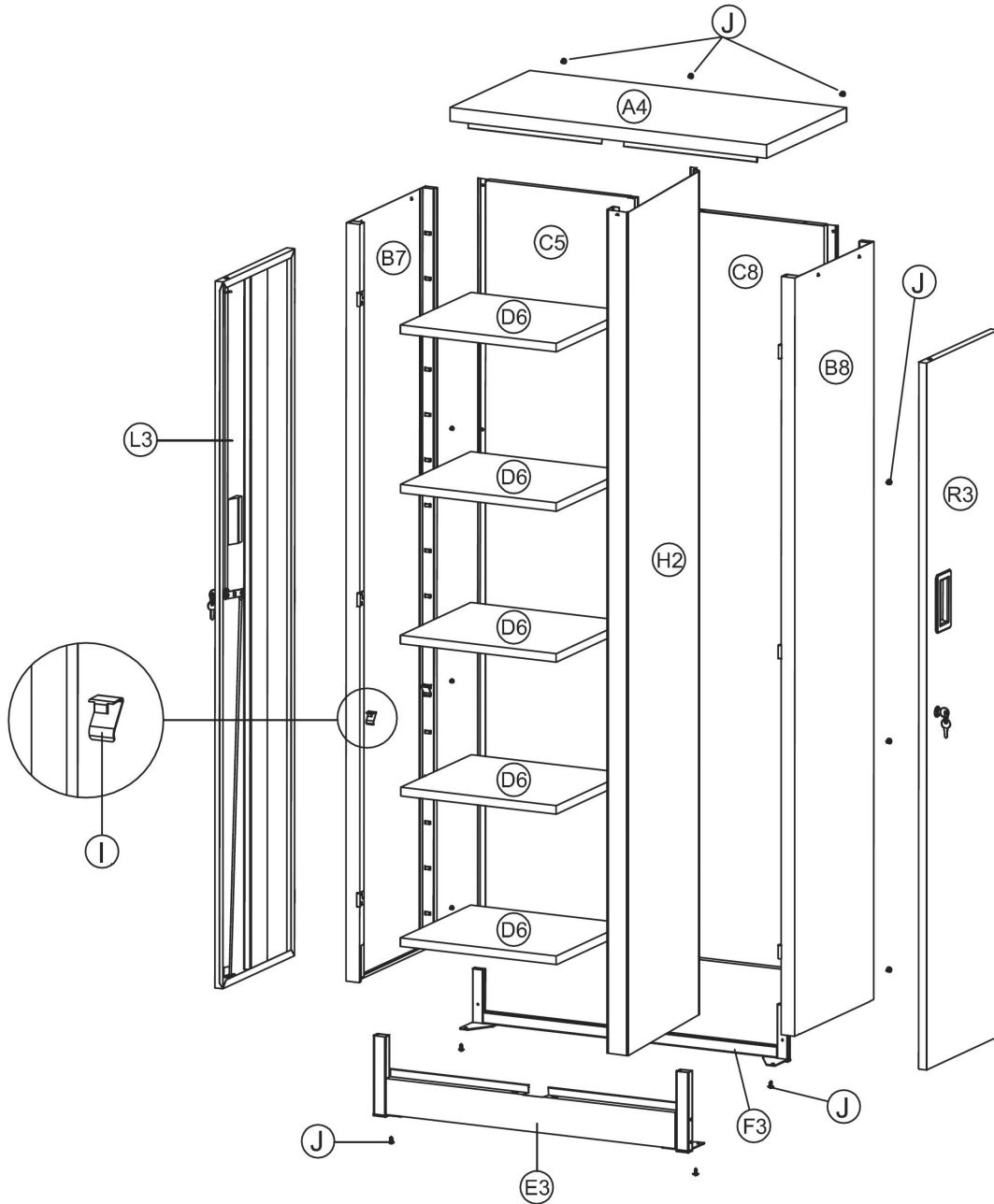


Parts Information:
**Galvanized Steel Floor Cabinet 5 Shelf with
 Freestanding Storage Extra-Wide
 Model No: GSC110385SP**



Item	Part No.	Description
A4	GSCSP.A4	TOP PANEL (
B7	GSCSP.B7	LEFT SIDE PANEL
B8	GSCSP.B8	RIGHT SIDE PANEL
C5	GSCSP.C5	LEFT BACK PANEL
C8	GSCSP.C8	RIGHT BACK PANEL
D6	GSCSP.D6	SHELF (567X435X20)
E3	GSCSP.E3	FRONT BASE BRACKET

Item	Part No.	Description
F3	GSCSP.F3	BACK BASE BRACKET
H2	GSCSP.H2	MIDDLE COLUMN
L3	GSCSP.L3	LEFT DOOR
R3	GSCSP.R3	RIGHT DOOR
I	GSC110385SP.I	SHELF SUPPORT
J	GSC110385SP.J	RD HEAD S/T SCREW M4X10

NOTE: It is our policy to continually improve products and as such we reserve the right to alter data, specifications and component parts without prior notice.

IMPORTANT: No liability is accepted for incorrect use of product.

WARRANTY: Guarantee is 12 months from purchase date, proof of which will be required for any claim.