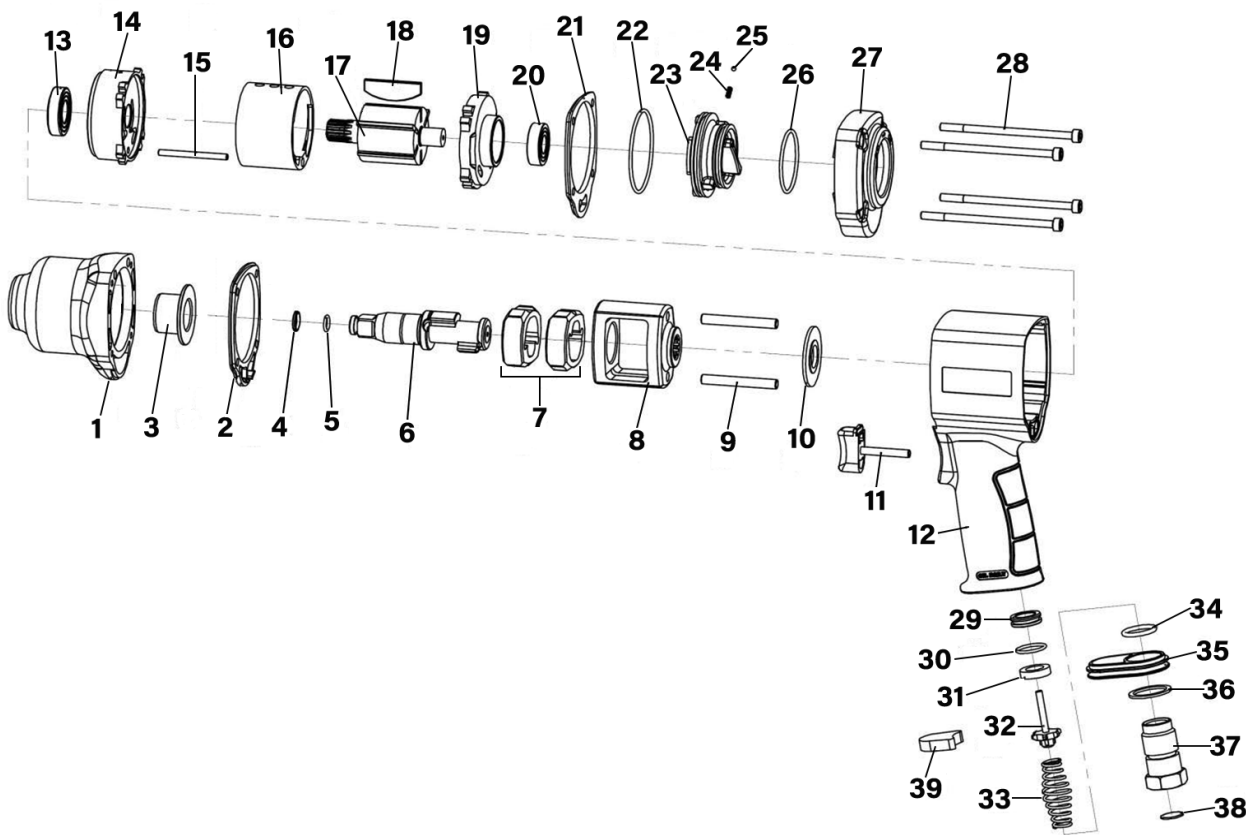


Parts Information:
**Composite Air Impact Wrench 1/2" Sq Drive
 - Twin Hammer**
Model No: GSA6002.V2



Item	Part No.	Description
1	GSA6002.V2-01	Hammer Case & Anvil Bushing
2	GSA6002.V2-02	Rubber Gasket
3	GSA6002.V2-03	Anvil Bushing
4	SA6006.17	Socket Retainer
5	GSA08.09-4	O-Ring, (Ex: 11.21 In: 7.65 Cs: 1.78)
6	GSA6002.V2-06	Anvil
7	GSA6002.V2-07	Hammer
8	GSA6002.V2-08	Hammer Cage
9	GSA6002.V2-09	Hammer Pin
10	GSA6002.V2-10	Gasket
11	GSA6002.V2-11	Trigger
12	GSA6002.V2-11A	Handle Ass'y
13	B/16002ZZ	Bearing 16002ZZ
14	GSA6002.V2-14	Front End Plate
15	GSA6002.V2-15	Pin
16	GSA6002.V2-16	Cylinder
17	GSA6002.V2-17A	Rotor Ass'y
18	GSA6002.V2-18	Rotor Vane
19	GSA6002.V2-19	Rear End Plate
20	GSA6002.V2-20	Bearing

Item	Part No.	Description
21	GSA6002.V2-21	Rubber Gasket
22	GSA6002.V2-22	O-Ring, (Ex: 51.86 In: 48.77 Cs: 1.55)
23	GSA6002.V2-23	Timing Button
24	GSA6002.V2-24	Spring Dia 2.5mm
25	SB-3.0	Steel Ball 3.0mm
26	GSA6002.V2-26	O-Ring, (Ex: 41.06 In: 38.61 Cs: 1.23)
27	GSA6002.V2-27	Rear Cover
28	SCB590.SB	Socket Cap Bolt M5 x 90mm Black
29	GSA6004.V2-29	Inlet Gasket
30	SM40.V2-35	O-Ring, (Ex: 20.73 In: 17.17 Cs: 1.78)
31	GSA6004.V2-31	Rubber Seal
32	GSA6002.V2-32	Inlet Valve
33	GSA6005.32	Inlet Spring
34	SA682.V2-60	O-Ring, (Ex: 23.96 In: 18.72 Cs: 2.62)
35	GSA6002.V2-35	Plastic Cover
36	GSA6002.V2-36	Gasket
37	GSA6002.V2-37	Air Inlet
38	GSA6002.V2-38	Air Inlet Screen
39	GSA6002.V2-39	Muffler

NOTE: It is our policy to continually improve products and as such we reserve the right to alter data, specifications and component parts without prior notice. There may be alternative versions of this product, please contact us should you require this information.

IMPORTANT: No liability is accepted for incorrect use of product. Spare parts must be fitted by a competent person

WARRANTY: Guarantee is 12 months from purchase date, proof of which will be required for any claim.