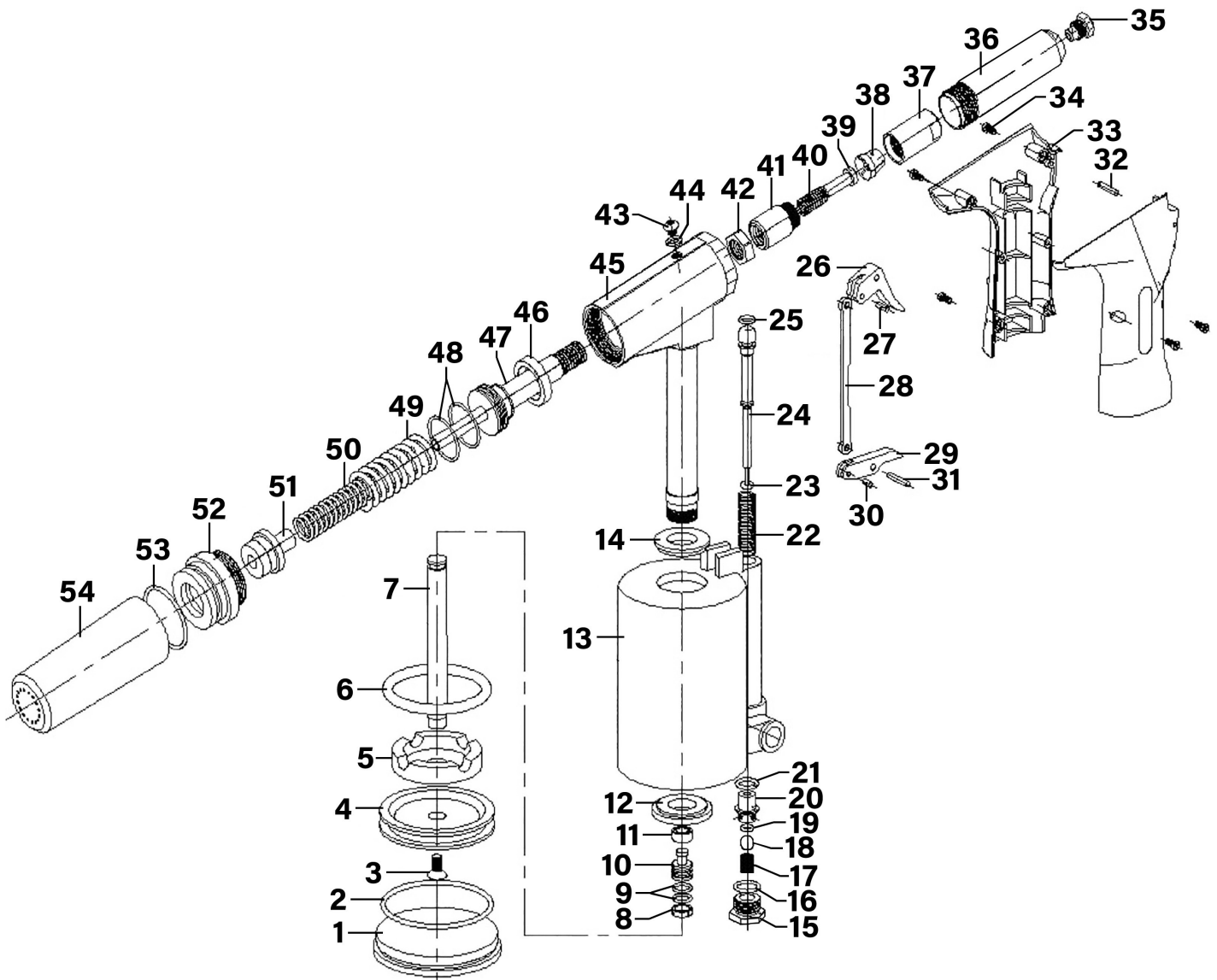




Parts Information:  
**Air Riveter Steel Aluminium & Stainless  
 Steel Rivets**  
**Model No: GSA312 & GSA314**



| Item | Part No.      | Description  |
|------|---------------|--|
| 1    | GSA312.01     | Bottom Cover (For GSA312 ONLY)                           |
| 1    | GSA314.01     | Bottom Cover (For GSA314 ONLY)                           |
| 2    | AK4560D.209   | O-Ring, (Ex: 71.58 In: 66.34 Cs: 2.62) (For GSA312 ONLY) |
| 2    | SJBEX200LP30N | O-ring, (Ex: 81.11 In: 75.87 Cs: 2.62) (For GSA314 ONLY) |
| 3    | GSA314.03     | Countersunk Screw  |
| 4    | GSA312.04     | Piston Disc (For GSA312 ONLY)                            |
| 4    | GSA314.04     | Piston Disc (For GSA314 ONLY)                            |
| 5    | GSA312.05     | Piston Cushion (For GSA312 ONLY)                         |
| 5    | SA314.V5-21   | Piston Cushion (For GSA314 ONLY)                         |
| 6    | SBJ30W.02     | O-Ring, (Ex: 73.53 In: 62.87 Cs: 5.33)(For GSA312 ONLY)  |

| Item | Part No.    | Description  |
|------|-------------|--|
| 6    | SA314.V4-42 | O-Ring, (Ex: 79.88 In: 69.22 Cs: 5.33) (For GSA314 ONLY) |
| 7    | GSA314.07   | Piston Rod   |
| 8    | GSA314.08   | Piston Ring  |
| 9    | GSA314.09   | O-Ring, (Ex: 12.45 In: 9.88 Cs: 1.29)                    |
| 10   | GSA314.10   | Piston   |
| 11   | GSA314.11   | Guide Ring   |
| 12   | GSA314.12   | Locking Nut  |
| 13   | GSA312.13   | Cylinder (For GSA312 ONLY)                               |
| 13   | GSA314.13   | Cylinder (For GSA314 ONLY)                               |
| 14   | GSA312.14   | Bushing (For GSA312 ONLY)                                |
| 14   | GSA314.14   | Bushing (For GSA314 ONLY)                                |

**NOTE:** It is our policy to continually improve products and as such we reserve the right to alter data, specifications and component parts without prior notice. There may be alternative versions of this product, please contact us should you require this information.

**IMPORTANT:** No liability is accepted for incorrect use of product. Spare parts must be fitted by a competent person

**WARRANTY:** Guarantee is 12 months from purchase date, proof of which will be required for any claim.

Sealey Group, Kempson Way, Suffolk Business Park, Bury St Edmunds, Suffolk. IP32 7AR



01284 757500



sales@sealey.co.uk



www.sealey.co.uk



Parts Information:  
Air Riveter Steel Aluminium & Stainless  
Steel Rivets  
Model No: GSA312 & GSA314

| Item | Part No.      | Description                            |
|------|---------------|--|
| 15   | GSA314.15     | End Plug                               |
| 16   | 840.V2-M18    | O-Ring, (Ex: 15.98 In: 12.42 Cs: 1.78) |
| 17   | GSA314.17     | Spring Dia 6.9mm                       |
| 18   | GSA314.18     | Steel Ball                             |
| 19   | AK458DX.V4-20 | O-Ring, (Ex: 8.84 In: 5.28 Cs: 1.78)   |
| 20   | GSA314.20     | Valve Base                             |
| 21   | GSA314.21     | O-Ring, (Ex: 11.60 In: 9.20 Cs: 1.20)  |
| 22   | GSA314.22     | Valve Rod Spring 10mm                  |
| 23   | GSA314.23     | O-Ring, (Ex: 7.90 In: 3.10 Cs: 2.40)   |
| 24   | GSA314.24     | Valve Rod                              |
| 25   | GSA314.25     | O-Ring, (Ex: 9.91 In: 6.35 Cs: 1.78)   |
| 26   | GSA314.26     | Trigger                                |
| 27   | GSA314.27     | Spring Pin M3 x 8                      |
| 28   | GSA314.28     | Connecting Rod                         |
| 29   | GSA314.29     | Link Plate                             |
| 30   | GSA314.30     | Spring Pin M3.3 X 6                    |
| 31   | GSA314.31     | Link Plate Pin                         |
| 32   | GSA314.32     | Pin for Casing                         |
| 33   | GSA314.33     | Handle Case Covers (Left & Right)      |
| 34   | GSA314.34     | Screw for Casing                       |
| 35   | SA314.V5-01A  | Nosepiece 3/32"                        |
| 35   | SA314.V5-01B  | Nosepiece 1/8"                         |
| 35   | SA314.V5-01C  | Nosepiece 5/32"                        |

| Item | Part No.     | Description                             |
|------|--------------|---|
| 35   | SA314.V5-01D | Nosepiece 3/16"                         |
| 35   | SA314.V5-01E | Nosepiece 1/4" <b>(For GSA314 ONLY)</b> |
| 36   | GSA314.36    | Cylinder Head                           |
| 37   | GSA314.37    | Jaw Sleeve                              |
| 38   | GSA314.38    | Jaw Set (3pc)                           |
| 39   | SA314.V5-05  | Jaw Pusher                              |
| 40   | GSA314.40    | Jaw Pusher Spring                       |
| 41   | GSA314.41    | Jaw Cylinder                            |
| 42   | GSA314.42    | Adjusting Nut                           |
| 43   | GSA314.43    | Screw for Main Handle                   |
| 44   | GSA314.44    | Seal for Main Handle                    |
| 45   | GSA314.45    | Main Handle                             |
| 46   | GSA314.46    | Guide Ring                              |
| 47   | GSA314.47    | Main Rod                                |
| 48   | SA141.24     | O-ring, (Ex: 28.68 In: 25.12 Cs: 1.78)  |
| 49   | GSA314.49    | Main Rod Spring (Large) Dia 23.7mm      |
| 50   | GSA314.50    | Spring Dia 15.7mm                       |
| 51   | GSA314.51    | Resetting Spring Pusher                 |
| 52   | GSA314.52    | Back Cover                              |
| 53   | AK451DX.06   | O-Ring, (Ex: 38.41 In: 31.35 Cs: 3.53)  |
| 54   | SA314.V5-15  | Bottle                                  |
| --   | SA314.V5-C01 | Wrench (Not Shown)                      |
| --   | GSA314.56    | Oil Syringe (Not Shown)                 |

**NOTE:** It is our policy to continually improve products and as such we reserve the right to alter data, specifications and component parts without prior notice. There may be alternative versions of this product, please contact us should you require this information.

**IMPORTANT:** No liability is accepted for incorrect use of product. Spare parts must be fitted by a competent person

**WARRANTY:** Guarantee is 12 months from purchase date, proof of which will be required for any claim.

Sealey Group, Kempson Way, Suffolk Business Park, Bury St Edmunds, Suffolk. IP32 7AR



01284 757500



sales@sealey.co.uk



www.sealey.co.uk