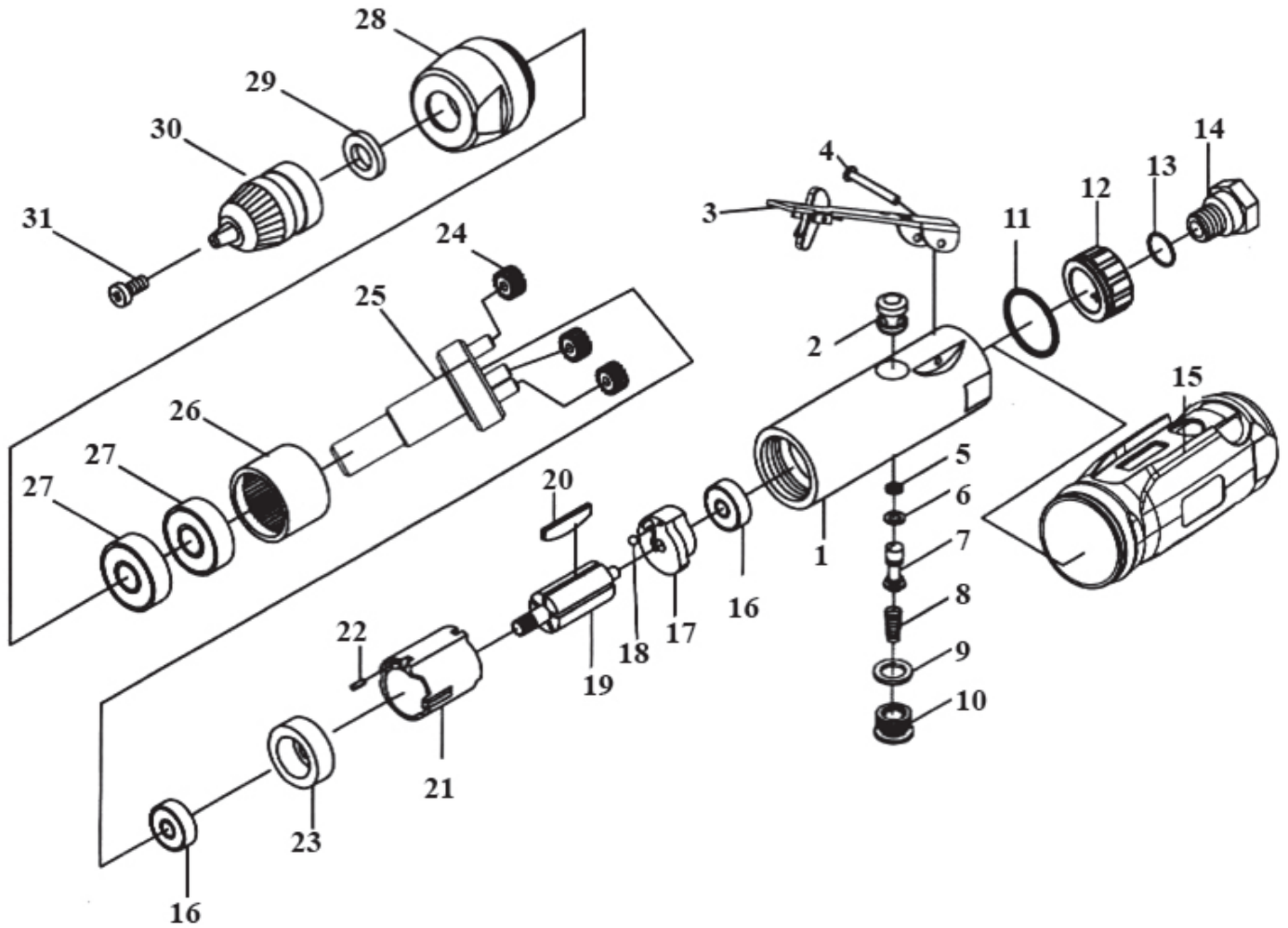


Parts Information:
**Air Drill Straight with Ø10mm Keyless
 Chuck**
Model No: GSA232



Item	Part No.	Description
1	GSA232.01	Housing
2	GSA232.02	Valve Bushing
3	GSA232.03	Trigger Assembly
4	GSA232.04	Trigger Pin
5	SA802.23	O-Ring
6	GSA232.06	O-Ring
7	GSA232.07	Throttle Valve
8	GSA232.08	Spring
9	SA6005.04	O-Ring
10	GSA232.10	Nut
11	SA720.V2-29	O-Ring
12	GSA232.12	Muffle Cover
13	GSA232.13	O-Ring
14	GSA232.14	Air Inlet Connector
15	GSA232.15	Housing Sleeve
16	B/626ZZ	Bearing

Item	Part No.	Description
17	GSA232.17	End Plate
18	SB-2.5	Steel Ball
19	GSA232.19	Rotor
20	GSA232.20	Rotor Blade
21	GSA232.21	Cylinder
22	GSA232.22	Spring Pin
23	GSA232.23	Front Plate
24	GSA232.24	Planetary Gear
25	GSA232.25	Work Spindle
26	GSA232.26	Gear Ring
27	B/6201ZZ	Bearing
28	GSA232.28	Front Housing
29	GSA232.29	Washer, Thick M10
30	DC/J-38HC	Drill Chuck, Keyless
31	SA24.V3-32	Left Hand Thread Chuck Screw M5 x 18mm

NOTE: It is our policy to continually improve products and as such we reserve the right to alter data, specifications and component parts without prior notice. There may be alternative versions of this product, please contact us should you require this information.

IMPORTANT: No liability is accepted for incorrect use of product. Spare parts must be fitted by a competent person

WARRANTY: Guarantee is 12 months from purchase date, proof of which will be required for any claim.