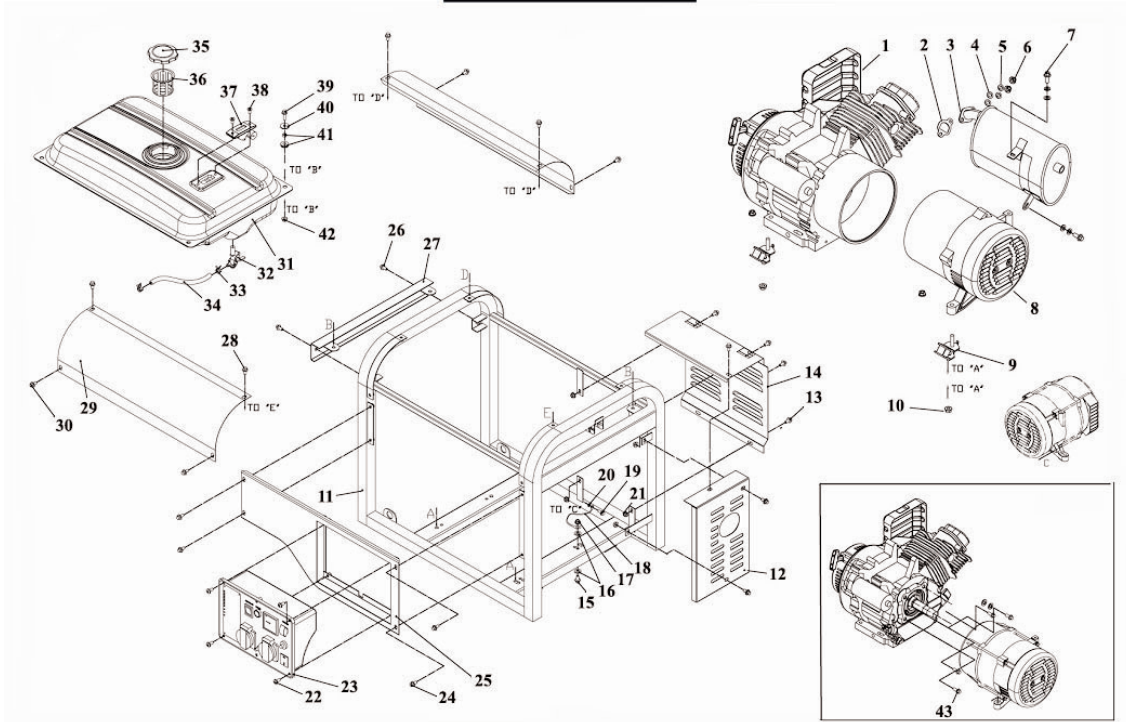


MAIN ASSEMBLY



Item	Part No.	Description
1	GG3800.01	ENGINE
2	GG3800.02	MUFFLER WASHER
3	GG3800.03	MUFFLER
4	FWM8.S	FLAT WASHER M8 SINGLE
5	SWM8.S	SPRING WASHER M8 ZINC (SINGLE)
6	SN8.S	STEEL NUT M8 ZINC DIN934 (SINGLE)
7	GG3800.07	FLANGE BOLT M8X20
8	GG3800.08	ALTERNATOR ASS'Y
9	GG3800.09	SHOCK ABSORBER
10	SN8.S	STEEL NUT M8 ZINC DIN934 (SINGLE)
11	GG3800.11	FRAME
12	GG3800.12	MUFFLER COVER
13	SFS612.S	HEX HEAD FLANGE BOLT M6x12 SINGLE
14	GG3800.14	MUFFLER COVER
15	SFS612.S	HEX HEAD FLANGE BOLT M6x12 SINGLE
16	GG3800.16	GASKET
17	FN6.S	FLANGE NUT SERRATED M6 ZINC (SINGLE)
18	GG3800.18	WIRE
19	HFC08.20	FLANGE BOLT M8X12
20	GG3800.20	GASKET
21	FN6.S	FLANGE NUT SERRATED M6 ZINC (SINGLE)
22	GG3800.22	SCREW (M6*12)
23	GG3800.23	CONTROL PANEL ASS'Y

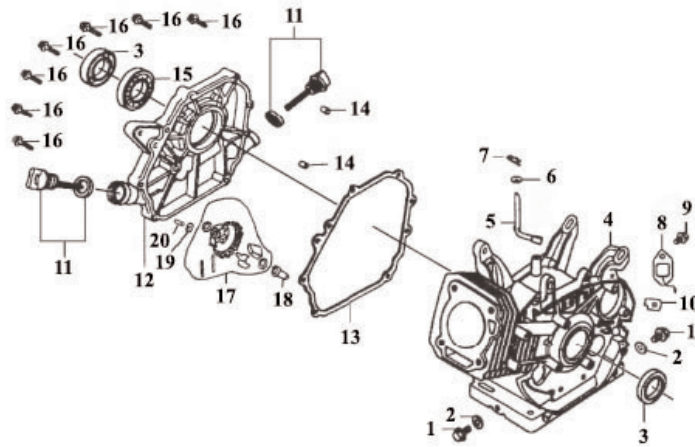
Item	Part No.	Description
24	SFS612.S	HEX HEAD FLANGE BOLT M6x12 SINGLE
25	GG3800.25	PANEL FOR CONTROL BOARD
26	SFS612.S	HEX HEAD FLANGE BOLT M6x12 SINGLE
27	GG3800.27	UPPER SIDE BAR
28	SFS612.S	HEX HEAD FLANGE BOLT M6x12 SINGLE
29	GG3800.29	UPPER PANEL
30	SFS612.S	HEX HEAD FLANGE BOLT M6x12 SINGLE
31	GG3800.31	FUEL TANK (25ltr)
32	GG3800.32	FUEL SWITCH
33	GG3800.33	CLAMP
34	GG3800.34	FUEL HOSE 5mm x 9mm x 940mm
35	GG3800.35	FUEL TANK CAP ASS'Y
36	GG3800.36	FILTER CUP
37	GG3800.37	CONTROL PANEL
38	GG3800.38	SCREW (M5*12)
39	SFS625.S	HEX HEAD FLANGE BOLT M6x25 SINGLE
40	GG3800.40	REPAIR WASHER M6x20
41	GG3800.41	SHOCK ABSORBER
42	FN6.S	FLANGE NUT SERRATED M6 ZINC (SINGLE)
43	GG3800.43	CABLE CLAMP
--	GG7500.48	ALTERNATOR END PLATE (NOT SHOWN)
--	GG3800.47	ALTERNATOR BOLTS (NOT SHOWN)

NOTE: It is our policy to continually improve products and as such we reserve the right to alter data, specifications and component parts without prior notice.

IMPORTANT: No liability is accepted for incorrect use of product.

WARRANTY: Guarantee is 12 months from purchase date, proof of which will be required for any claim.

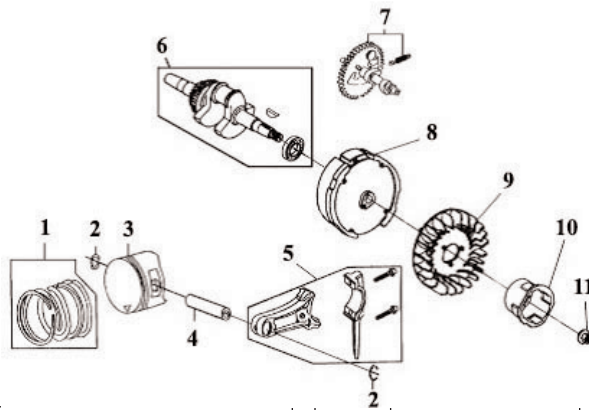
CRANKCASE PARTS



Item	Part No.	Description
1	GG3800.CC1	DRAIN PLUG (M12*14)
2	GG3800.CC2	COPPER SEAL WASHER
3	GG3800.CC3	OIL SEAL, CRANKSHAFT
4	GG3800.CC4	CRANKCASE
5	GG3800.CC5	REGULATING BAR
6	FWM8.SB	FLAT WASHER M8 BLACK (SINGLE)
7	GG3800.CC7	SPLIT PIN
8	GG3800.CC8	DIODE
9	SFS68.S	HEX HEAD FLANGE BOLT M6x8 SINGLE
10	GG3800.CC10	SEAL

Item	Part No.	Description
11	GG3800.CC11	OIL PLUG
12	GG3800.CC12	CRANKCASE COVER
13	GG3800.CC13	GASKET, CRANKCASE
14	GG3800.CC14	SET PIN (8*14)
15	B/6206	BEARING 6206
16	SFS835.S	HEX HEAD FLANGE BOLT M8x35 SINGLE
17	GG3800.CC17	DRIVEN GEAR ASS'Y
18	GG3800.CC18	SLIDING SLEEVE
19	GG3800.CC19	SNAP RING
20	GG3800.CC20	REGULATING SHAFT

CRANKSHAFT/PISTON/CAMSHAFT/ FLYWHEEL ASS'Y PARTS



Item	Part No.	Description
1	GG3800.CS1	PISTON RING SET
2	GG3800.CS2	PISTON PIN CIRCLIP
3	GG3800.CS3	PISTON
4	GG3800.CS4	PISTON PIN
5	GG3800.CS5	CONNECT ROD ASS'Y
6	GG3800.CS6	CRANKSHAFT ASS'Y

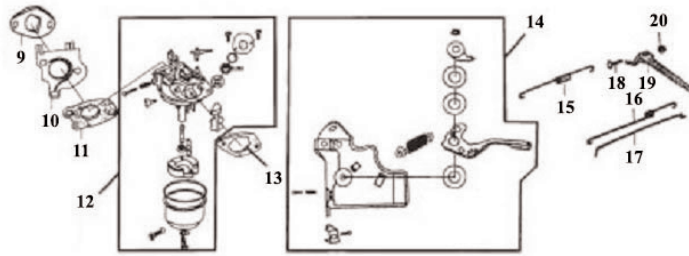
Item	Part No.	Description
7	GG3800.CS7	CAMSHAFT ASS'Y
8	GG3800.CS8	FLYWHEEL
9	GG3800.CS9	FLYWHEEL FAN
10	GG3800.CS10	STARTING FLANGE
11	GG3800.CS11	NUT (M16*1.25)

NOTE: It is our policy to continually improve products and as such we reserve the right to alter data, specifications and component parts without prior notice.

IMPORTANT: No liability is accepted for incorrect use of product.

WARRANTY: Guarantee is 12 months from purchase date, proof of which will be required for any claim.

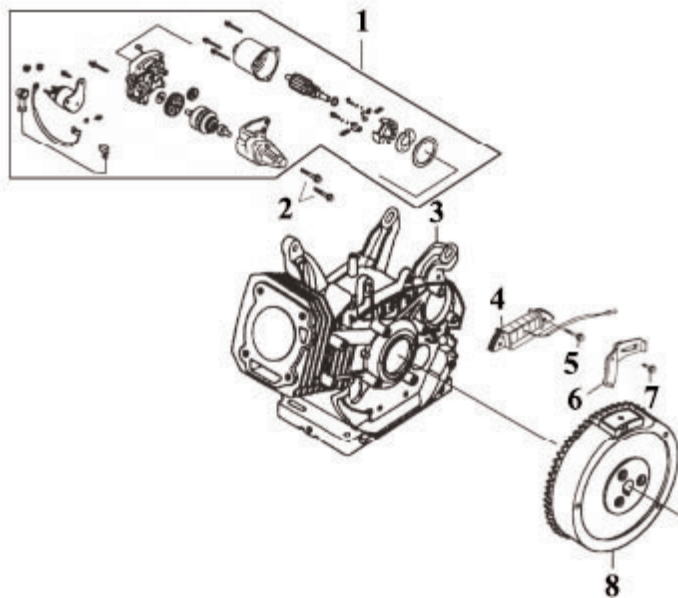
FUEL SUPPLY PARTS



Item	Part No.	Description
9	GG3800.FS9	INLET GASKET
10	GG3800.FS10	CONNECTING BLOCK
11	GG3800.FS11	CARBURETOR GASKET
12	GG3800.FS12	CARBURETOR ASS'Y
13	GG3800.FS13	GASKET, AIR CLEANER
14	GG3800.FS14	REGULATING CONTROL ASS'Y

Item	Part No.	Description
15	GG3800.FS15	BACK SPRING
16	GG3800.FS16	REGULATING SPRING
17	GG3800.FS17	PULLING ROD
18	EWP050.FS12	LOCK BOLT
19	GG3800.FS19	REGULATING ARM
20	FN6.S	FLANGE NUT SERRATED M6 ZINC (SINGLE)

ELECTRIC STARTER PARTS



Item	Part No.	Description
1	GG3800.ES1	STARTING MOTOR ASS'Y
2	SFS835.S	HEX HEAD FLANGE BOLT M8x35 SINGLE
3	GG3800.ES3	CRANKCASE
4	GG3800.ES4	RELAY

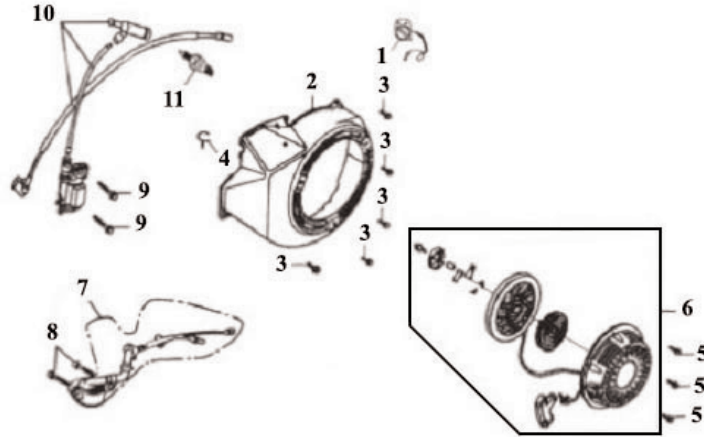
Item	Part No.	Description
5	SFS635.S	HEX HEAD FLANGE BOLT M6x35 SINGLE
6	GG3800.ES6	CORD CLAMP
7	SFS612.S	HEX HEAD FLANGE BOLT M6x12 SINGLE
8	GG3800.ES8	FLYWHEEL

NOTE: It is our policy to continually improve products and as such we reserve the right to alter data, specifications and component parts without prior notice.

IMPORTANT: No liability is accepted for incorrect use of product.

WARRANTY: Guarantee is 12 months from purchase date, proof of which will be required for any claim.

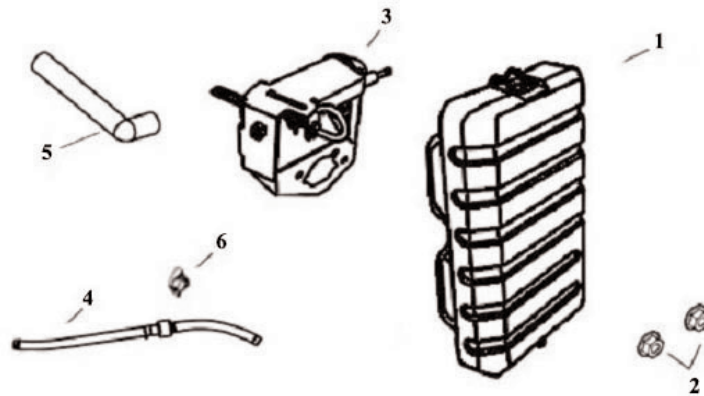
RECOIL STARTER & IGNITION COIL ASS'Y PARTS



Item	Part No.	Description
1	GG3800.RS1	ENGINE SWITCH
2	GG3800.RS2	FAN COVER ASS'Y
3	SFS612.S	HEX HEAD FLANGE BOLT M6x12 SINGLE
4	GG3800.RS4	CLIP
5	SFS68.S	HEX HEAD FLANGE BOLT M6x8 SINGLE
6	GG3800.RS6	RECOIL STARTER ASS'Y

Item	Part No.	Description
7	GG3800.RS7	OIL SENSOR
8	SFS614.S	HEX HEAD FLANGE BOLT M6x14 SINGLE
9	SFS625.S	HEX HEAD FLANGE BOLT M6x25 SINGLE
10	GG3800.RS10	IGNITION COIL ASS'Y
11	GG3800.RS11	SPARK PLUG
--	GG3800.L	LABELS (NOT SHOWN)

AIR CLEANER PARTS



Item	Part No.	Description
1	GG3800.AC1	AIR CLEANER ASS'Y
2	FN6.S	FLANGE NUT SERRATED M6 ZINC (SINGLE)
3	GG3800.AC3	FLANGE BOLT M6X22

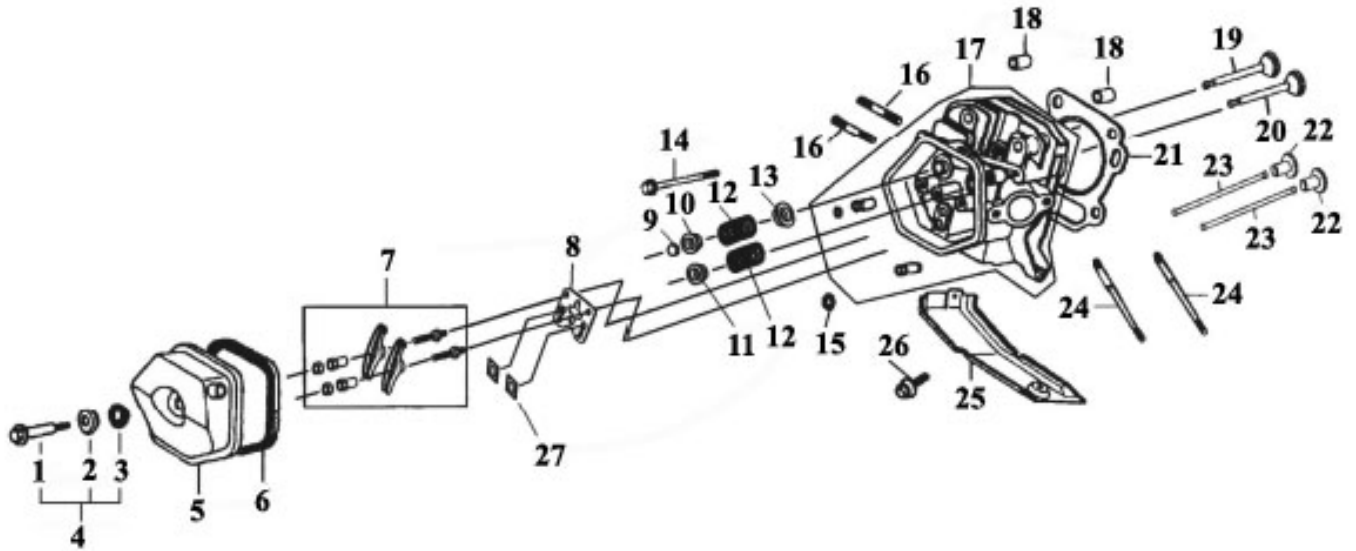
Item	Part No.	Description
4	GG3800.AC4	VALVE
5	GG3800.AC5	AIR PIPE
6	GG3800.AC6	CLIP

NOTE: It is our policy to continually improve products and as such we reserve the right to alter data, specifications and component parts without prior notice.

IMPORTANT: No liability is accepted for incorrect use of product.

WARRANTY: Guarantee is 12 months from purchase date, proof of which will be required for any claim.

CYLINDER HEAD PARTS



Item	Part No.	Description
1	GG3800.CH1	FLANGE BOLT M6X61.
2	GG3800.CH2	DISHED WASHER
3	GG3800.CH3	RUBBER SEAL
4	GG3800.CH4	BOLT ASS'Y
5	GG3800.CH5	CYLINDER HEAD COVER
6	GG3800.CH6	GASKET
7	GG3800.CH7	VALVE ROCKER ASS'Y
8	GG3800.CH8	PUSH GUIDE
9	GG3800.CH9	CAP
10	GG3800.CH10	EXHAUST SPRING SEAT
11	GG3800.CH11	INTAKE SPRING SEAT
12	GG3800.CH12	VALVE SPRING
13	GG3800.CH13	SPRING RETAINER
14	GG3800.CH14	FLANGE BOLT M10X80

Item	Part No.	Description
15	GG3800.CH15	SEAL
16	GG3800.CH16	STUD (M8*55)
17	GG3800.CH17	CYLINDER HEAD ASS'Y
18	GG3800.CH18	PIN (12*20)
19	GG3800.CH19	EXHAUST VALVE
20	GG3800.CH20	INTAKE VALVE
21	GG3800.CH21	CYLINDER HEAD GASKET
22	GG3800.CH22	TAPPET
23	GG3800.CH23	PUSHER
24	GG3800.CH24	STUD
25	GG3800.CH25	COVER
26	GG3800.CH26	FLANGE BOLT M6X12
27	GG3800.CH27	NYLON SEAL

NOTE: It is our policy to continually improve products and as such we reserve the right to alter data, specifications and component parts without prior notice.

IMPORTANT: No liability is accepted for incorrect use of product.

WARRANTY: Guarantee is 12 months from purchase date, proof of which will be required for any claim.