

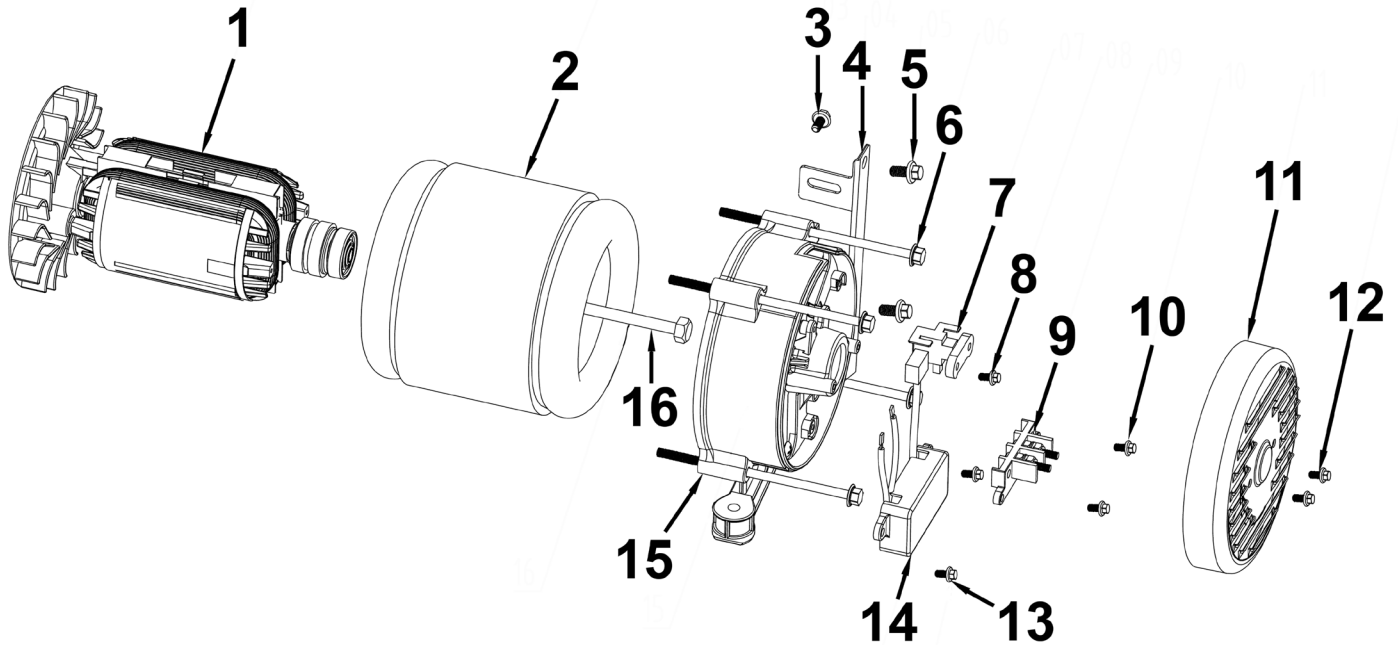
Item	Part No.	Description	Qty
1	G5501-V2-01	Engine	1
2	G5501-V2-02	Fuel Tank	1
3	G5501-V2-03	Frame	1

Item	Part No.	Description	Qty
4	G5501-V2-04	Electric Motor	1
5	G5501-V2-05	Control Panel	1

NOTE: It is our policy to continually improve products and as such we reserve the right to alter data, specifications and component parts without prior notice. There may be alternative versions of this product, please contact us should you require this information.

IMPORTANT: No liability is accepted for incorrect use of product. Spare parts must be fitted by a competent person

WARRANTY: Guarantee is 12 months from purchase date, proof of which will be required for any claim.



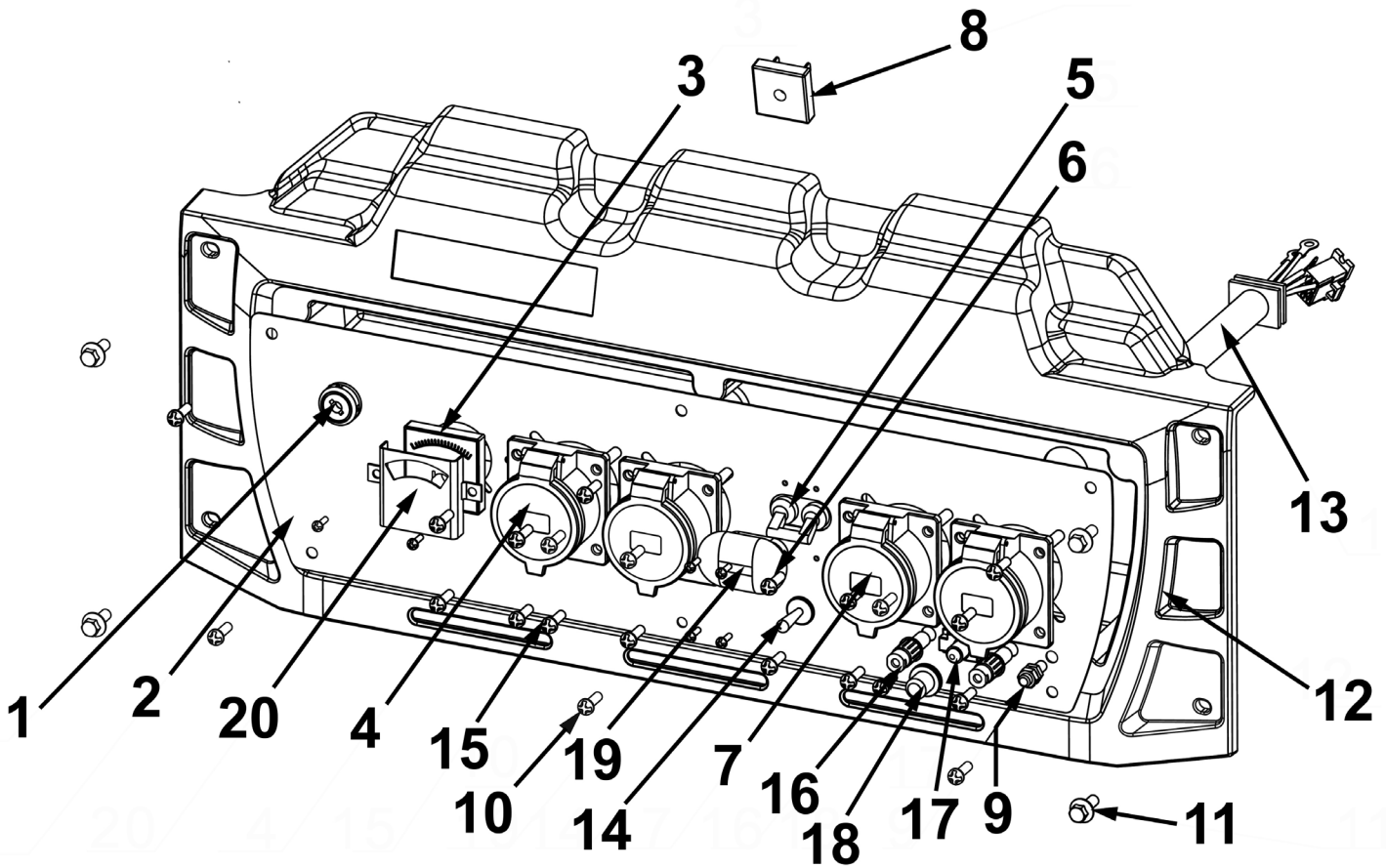
Item	Part No.	Description	Qty
1	G5501-V2-A01	Rotor	1
2	G5501-V2-A02	Stator	1
3	SFS612.S	Hex Head Flange Bolt M6 X 12 Zinc	1
4	G5501-V2-A04	Support Foot	1
5	SFS816.S	Hex Head Flange Bolt M8 X 16 Zinc	1
6	G5501-V2-A06	Stator Bolt	4
7	G5501-V2-A07	Carbon Brush	1
8	SFS516.S	Hex Head Flange Bolt M5 X 16 Zinc	1
9	G5501-V2-A09	Wire Box	1

Item	Part No.	Description	Qty
10	G5501-V2-A10	Wire Box Bolt M5x12	2
11	G5501-V2-A11	Back Cover	1
12	MSP58.S	Machine Screw Pan Head Phillips M5 X 8mm	2
13	SFS512.S	Hex Head Flange Bolt M5 X 12 Zinc	2
14	G5501-V2-A14	Adjust Voltage Regulator	1
15	G5501-V2-A15	End Cover	1
16	G5501-V2-A16	Rotor Bolt	1

NOTE: It is our policy to continually improve products and as such we reserve the right to alter data, specifications and component parts without prior notice. There may be alternative versions of this product, please contact us should you require this information.

IMPORTANT: No liability is accepted for incorrect use of product. Spare parts must be fitted by a competent person

WARRANTY: Guarantee is 12 months from purchase date, proof of which will be required for any claim.



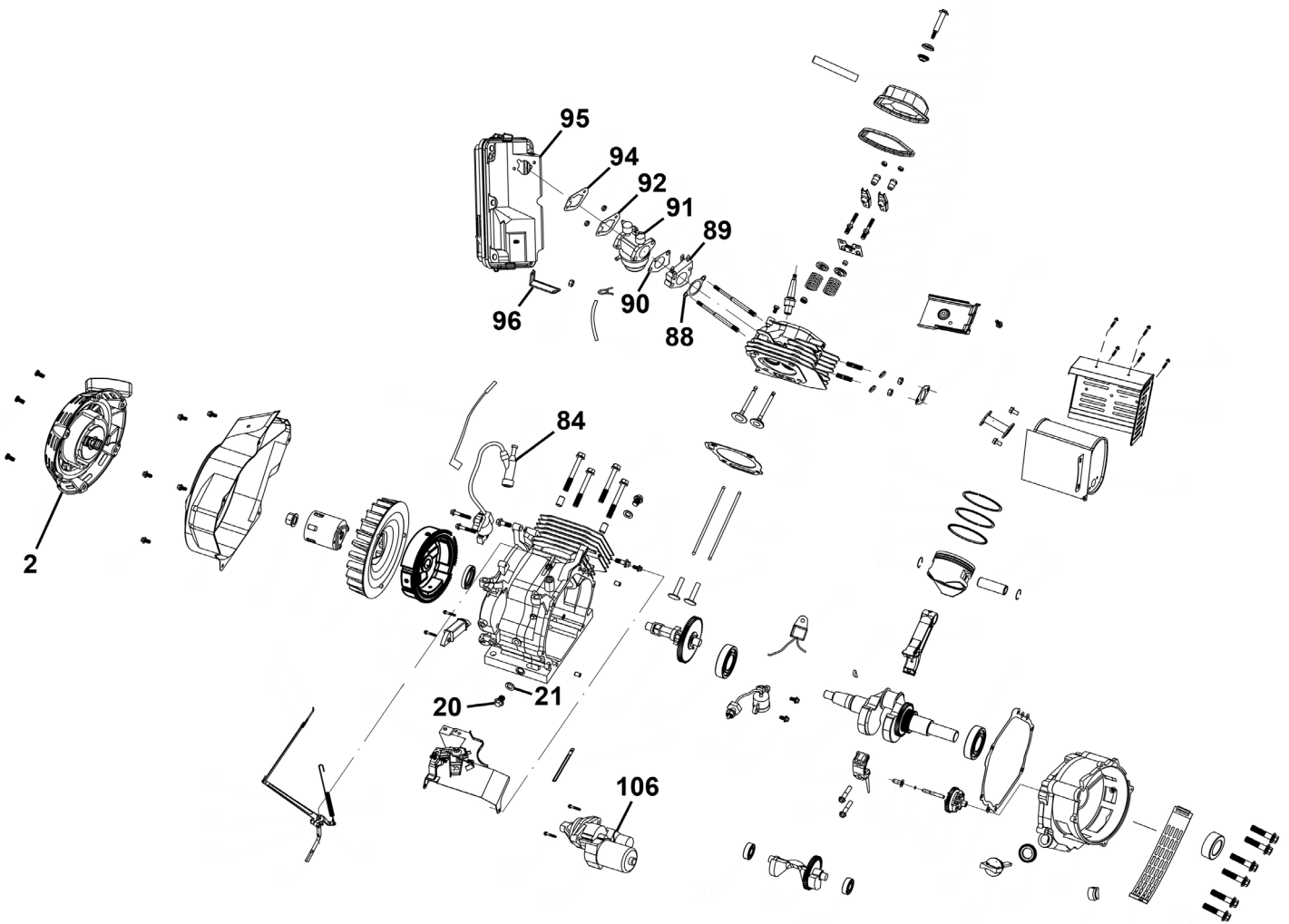
Item	Part No.	Description	Qty
1	G5501-V2-CP01	Key Start Switch	1
2	G5501-V2-CP02	Face Plate	1
3	G5501-V2-CP03	Voltage Meter	1
4	G5501-V2-CP04	Industry Socket 16A/230V	1
5	G5501-V2-CP05	Double Circuit Breaker Switch	1
6	MSP38.S	Machine Screw Pan Head Phillips M3 X 8mm	4
7	G5501-V2-CP07	Industry Socket 16A/115V	1
8	G5501-V2-CP08	Rectifier	1
9	G5501-V2-CP09	Earth Bolt Connection	1
10	MSP412.S	Machine Screw Pan Head Phillips M4 X 12mm	6

Item	Part No.	Description	Qty
11	SFS612.S	Hex Head Flange Bolt M6 X 12 Zinc	4
12	G5501-V2-CP12	Control Pane Back Cover	1
13	G5501-V2-CP13	Control Inlet Wire	1
14	G5501-V2-CP14	Convert Switch	1
15	MSP416.S	Machine Screw Pan Head Phillips M4 x 16mm	16
16	G5501-V2-CP16	DC Output	2
17	G5501-V2-CP17	DC Protector	1
18	G5501-V2-CP18	Protector Cap	1
19	G5501-V2-CP19	Circuit Breaker Cap	1
20	G5501-V2-CP20	Voltage Meter Cover	1

NOTE: It is our policy to continually improve products and as such we reserve the right to alter data, specifications and component parts without prior notice. There may be alternative versions of this product, please contact us should you require this information.

IMPORTANT: No liability is accepted for incorrect use of product. Spare parts must be fitted by a competent person

WARRANTY: Guarantee is 12 months from purchase date, proof of which will be required for any claim.



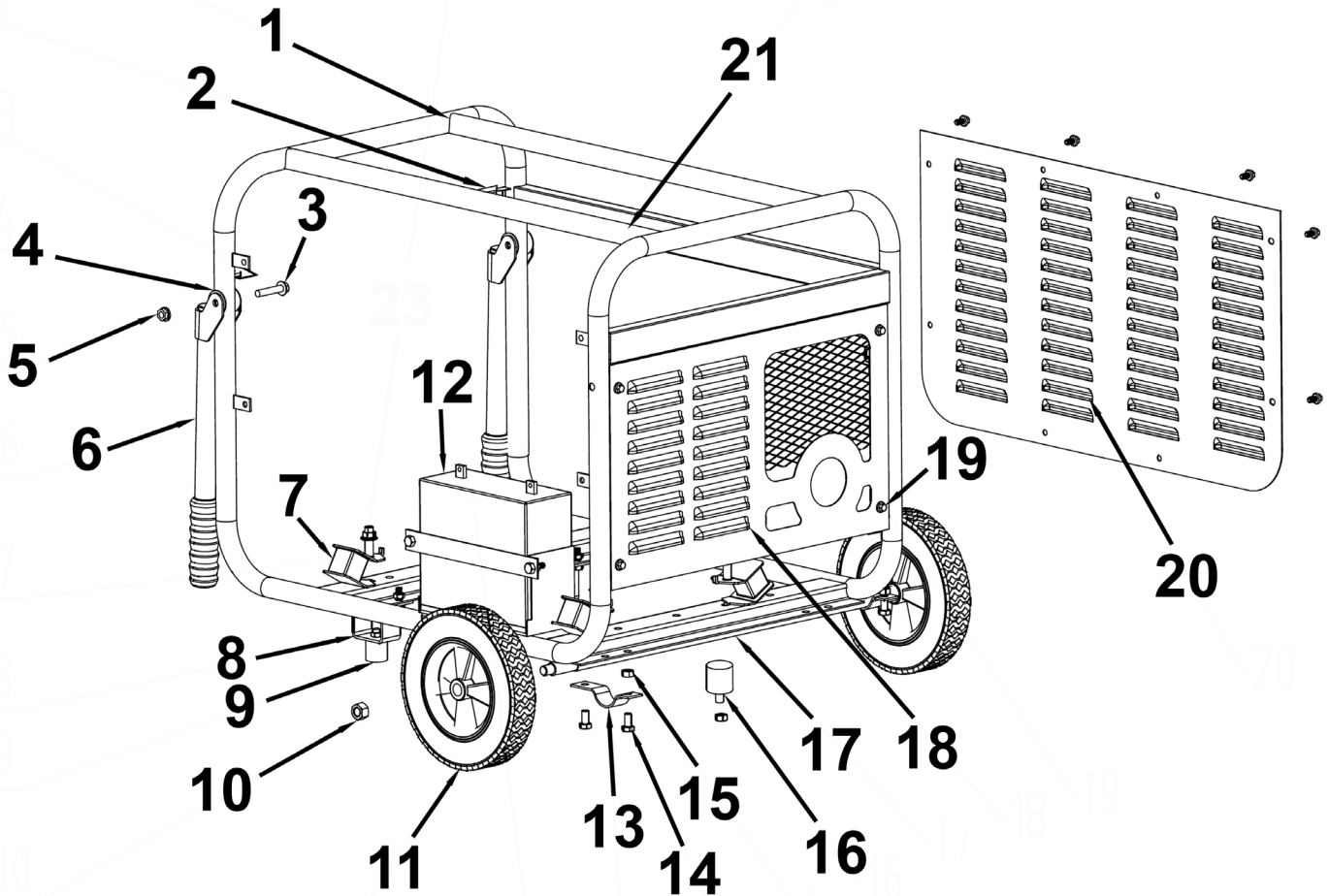
Item	Part No.	Description	Qty
2	G5501-V2-E02	Recoil Starter	1
20	G5501-V2-E20	Drain Plug	2
21	G5501-V2-E21	Drain Plug Gasket	2
84	G5501-V2-E84	High Voltage Set	1
88	G5501-V2-E88	Carburettor Insulator Gasket	1
89	G5501-V2-E89	Carburettor Insulator	1
90	G5501-V2-E90	Carburettor Gasket	1

Item	Part No.	Description	Qty
91	G5501-V2-E91	Carburettor	1
92	G5501-V2-E92	Air Cleaner Gasket (A)	1
94	G5501-V2-E94	Air Cleaner Gasket (B)	1
95	G5501-V2-E95	Air Cleaner	1
96	G5501-V2-E96	Air Cleaner Support	1
106	G5501-V2-E106	Electric Starter	1

NOTE: It is our policy to continually improve products and as such we reserve the right to alter data, specifications and component parts without prior notice. There may be alternative versions of this product, please contact us should you require this information.

IMPORTANT: No liability is accepted for incorrect use of product. Spare parts must be fitted by a competent person

WARRANTY: Guarantee is 12 months from purchase date, proof of which will be required for any claim.



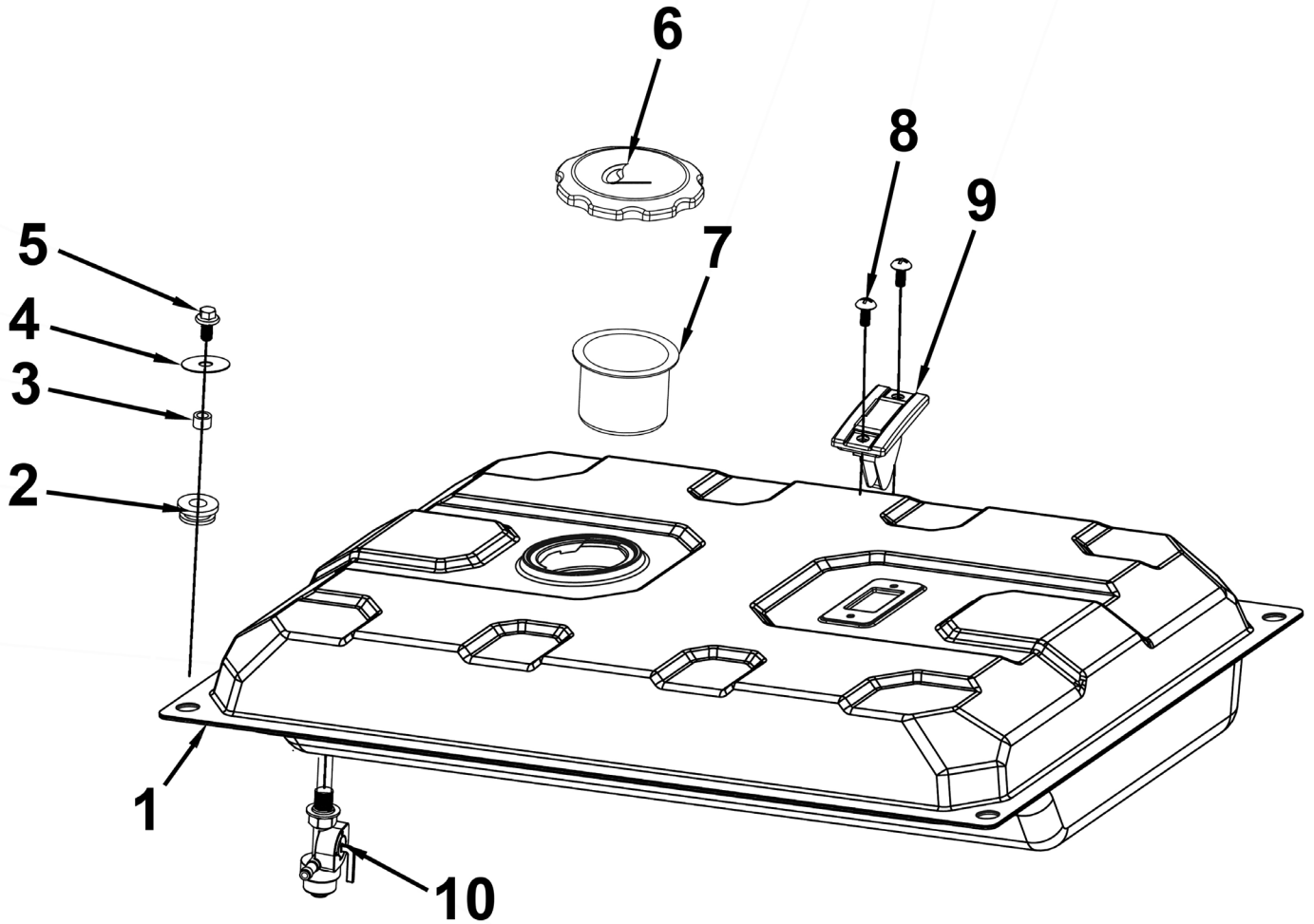
Item	Part No.	Description	Qty
1	G5501-V2-F01	Frame	1
2	G5501-V2-F02	Cross Beam	1
3	SFS640.S	Hex Head Flange Bolt M6 X 40 Zinc	2
4	FWM6.S	Flat Washer M6 Zinc	4
5	FN6.S	Flange Nut Serrated M6 Zinc	2
6	G5501-V2-F06	Pull Handle	2
7	G5501-V2-F07	Shock Absorber	4
8	G5501-V2-F08	Support Foot Bracket	2
9	G5501-V2-F09	Rubber Foot (A)	4
10	NLN10.S	Nyloc Nut M10 Zinc	2
11	G5501-V2-F11	Plastic Wheel	2

Item	Part No.	Description	Qty
12	G5501-V2-F12	Battery	1
13	G5501-V2-F13	Wheel Axle Bracket	2
14	SFS816.S	Hex Head Flange Bolt M8 X 16 Zinc	8
15	FN8.S	Flange Nut Serrated M8 Zinc	13
16	G5501-V2-F16	Rubber Foot (B)	4
17	G5501-V2-F17	Wheel Axle	1
18	G5501-V2-F18	Rear Guard Plate	1
19	SFS612.S	Hex Head Flange Bolt M6 X 12 Zinc	18
20	G5501-V2-F20	Side Guard Plate	1
21	FN10.S	Flange Nut Serrated M10 Zinc	4

NOTE: It is our policy to continually improve products and as such we reserve the right to alter data, specifications and component parts without prior notice. There may be alternative versions of this product, please contact us should you require this information.

IMPORTANT: No liability is accepted for incorrect use of product. Spare parts must be fitted by a competent person

WARRANTY: Guarantee is 12 months from purchase date, proof of which will be required for any claim.



Item	Part No.	Description	Qty
1	G5501-V2-FT01	Fuel Tank	1
2	G5501-V2-FT02	Rubber Gasket	4
3	G5501-V2-FT03	Bush	4
4	G5501-V2-FT04	Spacer	4
5	SFS625.S	Hex Head Flange Bolt M6 X 25 Zinc	4
6	G5501-V2-FT06	Fuel Tank Cap	1

Item	Part No.	Description	Qty
7	G5501-V2-FT07	Fuel Tank Filter	1
8	G5501-V2-FT08	Fuel Meter	1
9	MSP512.S	Machine Screw Pan Head Phillips M5 X 12mm	2
10	G5501-V2-FT10	Fuel Switch	1

NOTE: It is our policy to continually improve products and as such we reserve the right to alter data, specifications and component parts without prior notice. There may be alternative versions of this product, please contact us should you require this information.

IMPORTANT: No liability is accepted for incorrect use of product. Spare parts must be fitted by a competent person

WARRANTY: Guarantee is 12 months from purchase date, proof of which will be required for any claim.