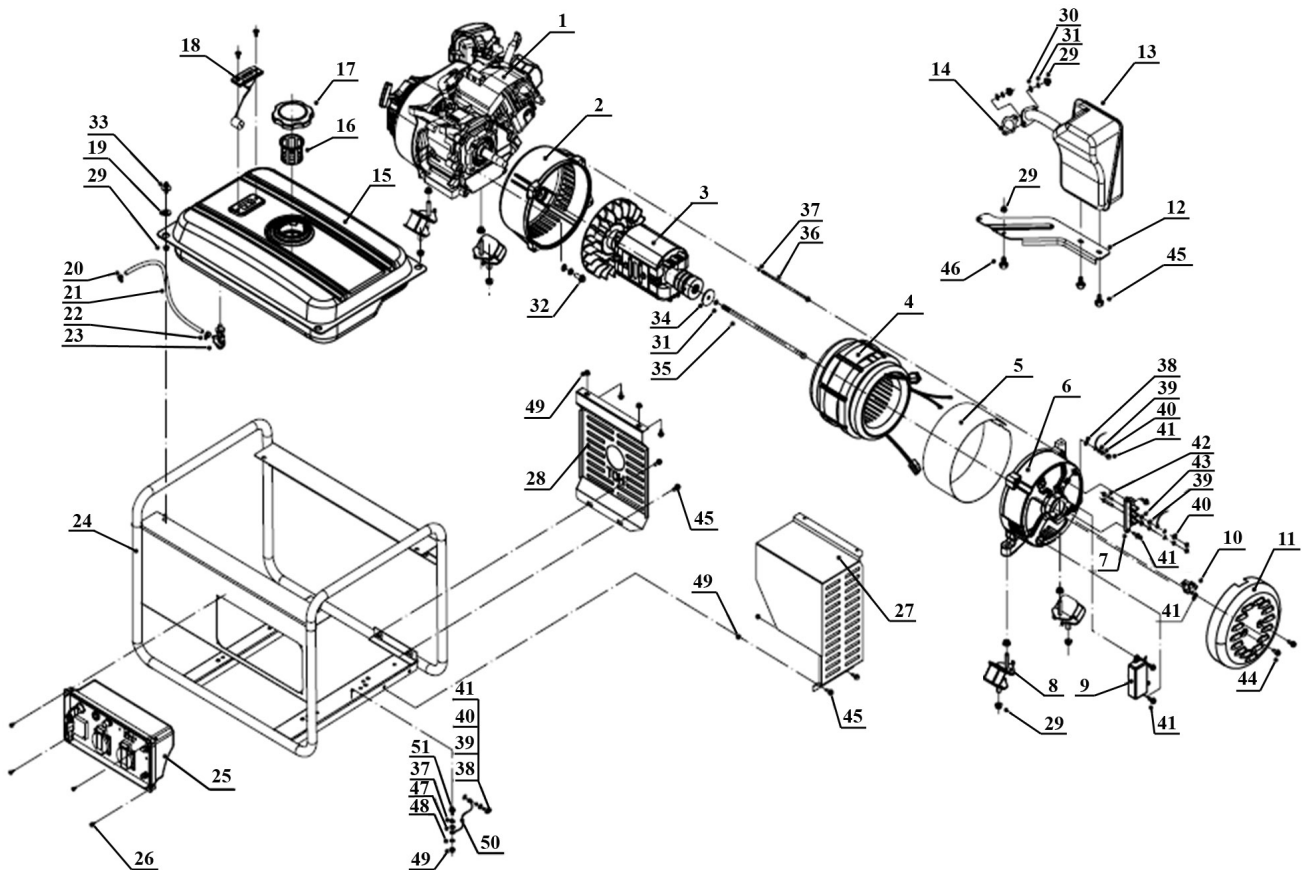




Parts Information:
Generator 2200W 110/230V 5.5hp
Model No: G2300.V3



NOTE: It is our policy to continually improve products and as such we reserve the right to alter data, specifications and component parts without prior notice.

IMPORTANT: No liability is accepted for incorrect use of product.

WARRANTY: Guarantee is 12 months from purchase date, proof of which will be required for any claim.

Sealey Group, Kempson Way, Suffolk Business Park, Bury St Edmunds, Suffolk. IP32 7AR



01284 757500



01284 703534



sales@sealey.co.uk



www.sealey.co.uk



Parts Information:
Generator 2200W 110/230V 5.5hp
Model No: G2300.V3

Item	Part No.	Description
1	G2300.V3-01	PETROL ENGINE
2	G2300.V3-02	FRONT END COVER
3	G2300.V3-03	ROTOR
4	G2300.V3-04	STATOR
5	G2300.V3-05	STATOR COVER
6	G2300.V3-06	REAR END COVER
7	G2300.V3-07	WIRE FASTEN CONNECTION
8	GG7500.09	SHOCK ABSORBER
9	G2300.V3-09	AVR
10	G2300.V3-10	CARBON BRUSH
11	G2300.V3-11	REAR END COVER
12	G2300.V3-12	MUFFLER BRACKET
13	G2300.V3-13	MUFFLER
14	G2300.V3-14	MUFFLER GASKET
15	G2300.V3-15	FUEL TANK
16	G2300.V3-16	FUEL FILTER
17	G2300.V3-17	FUEL TANK CAP
18	G2300.V3-18	FUEL GAUGE ASS'Y
19	G2300.V3-19	SHOCK ABSORBER
20	G2300.V3-20	CLAMP
21	G2300.V3-21	FUEL PIPE dia 4.5mm
22	G2300.V3-22	CLAMP
23	G2300.V3-23	FUEL SWITCH
24	G2300.V3-24	FRAME
25	G2300.V3-25	CONTROL PANNEL
26	G2300.V3-26	SCREW ST4.2X12

Item	Part No.	Description
27	G2300.V3-27	MUFFLER PROTECT SIDE GUARD
28	G2300.V3-28	MUFFLER PROTECT GUARD
29	FN8.S	FLANGE NUT SERRATED M8 ZINC (SINGLE)
30	G2300.V3-30	FLAT WASHER (M8)
31	G2300.V3-31	SPRING WASHER (M8)
32	G2300.V3-32	FLANGE BOLT & FLAT WASHER (M8x25)
33	G2300.V3-33	FLANGE BOLT & FLAT WASHER (M8x25)
34	G2300.V3-34	LARGE FLAT WASHER (M8)
35	G2300.V3-35	ROTOR BOLT (5/16 x 195)
36	G2300.V3-36	FLANGE BOLT (M6x150)
37	G2300.V3-37	SPRING WASHER (M6)
38	G2300.V3-38	EXTERNAL TOOTH LOCK WASHER (M5)
39	G2300.V3-39	FLAT WASHER (M5)
40	G2300.V3-40	SPRING WASHER (M5)
41	G2300.V3-41	FLAT BOLT & FLAT WASHER (M5x16)
42	G2300.V3-42	THREADED BOLT (M5x20)
43	SN5.S	STEEL NUT M5 ZINC DIN934 (SINGLE)
44	G2300.V3-44	FLANGE BOLT (M5x12)
45	G2300.V3-45	FLANGE BOLT (M6x12)
46	G2300.V3-46	FLANGE BOLT (M8x35)
47	G2300.V3-47	FLAT WASHER (M6)
48	G2300.V3-48	EXTERNAL TOOTH LOCK WASHER (M6)
49	FN6.S	FLANGE NUT SERRATED M6 ZINC (SINGLE)
50	G2300.V3-50	GROUNDING WIRE
51	G2300.V3-51	FLANGE BOLT (M6x14)
--	G2300.V3-K	TOOL KIT (NOT SHOWN)

NOTE: It is our policy to continually improve products and as such we reserve the right to alter data, specifications and component parts without prior notice.

IMPORTANT: No liability is accepted for incorrect use of product.

WARRANTY: Guarantee is 12 months from purchase date, proof of which will be required for any claim.

Sealey Group, Kempson Way, Suffolk Business Park, Bury St Edmunds, Suffolk. IP32 7AR



01284 757500



01284 703534



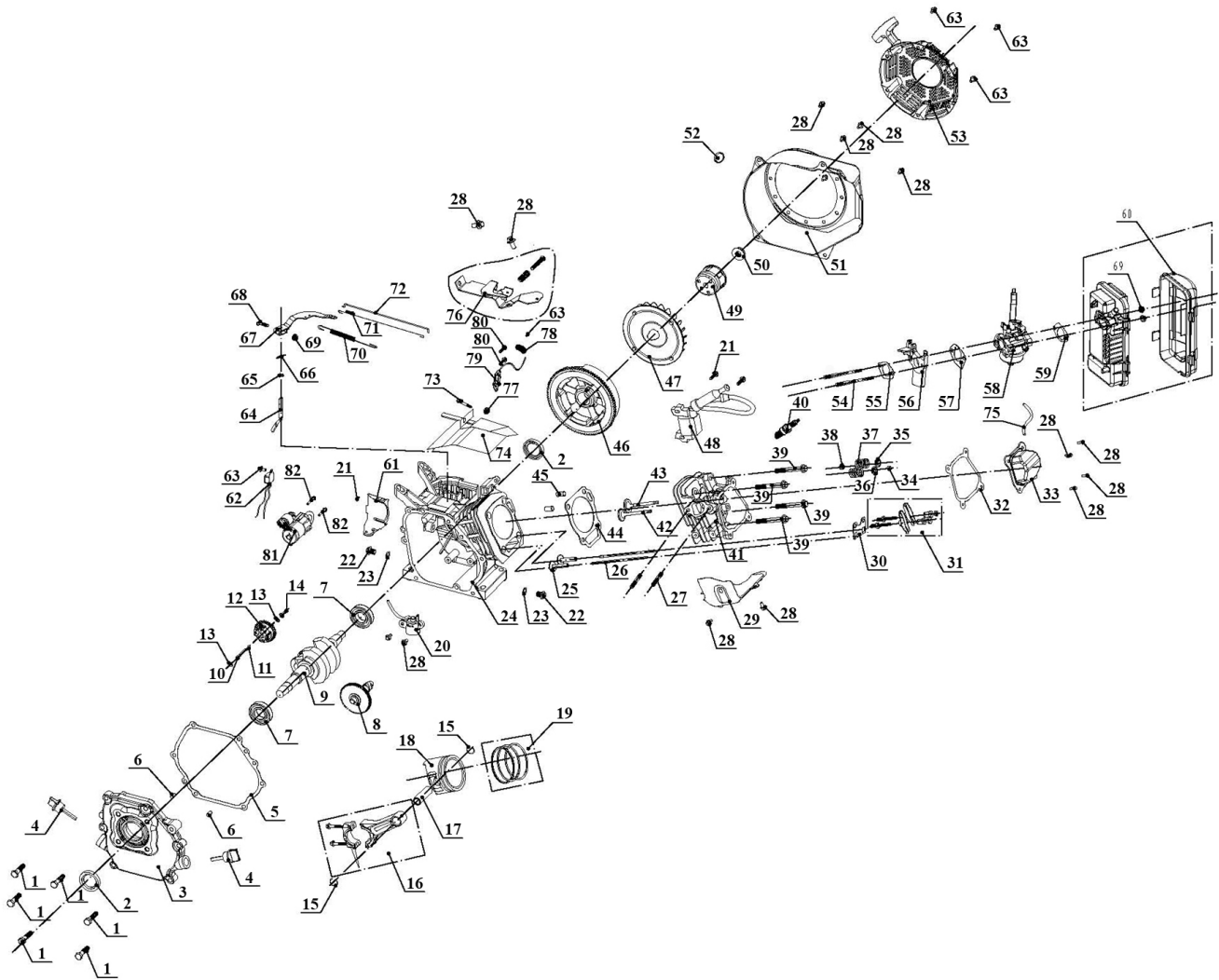
sales@sealey.co.uk



www.sealey.co.uk



Parts Information:
Generator 2200W 110/230V 5.5hp
Model No: G2300.V3



NOTE: It is our policy to continually improve products and as such we reserve the right to alter data, specifications and component parts without prior notice.

IMPORTANT: No liability is accepted for incorrect use of product.

WARRANTY: Guarantee is 12 months from purchase date, proof of which will be required for any claim.

Sealey Group, Kempson Way, Suffolk Business Park, Bury St Edmunds, Suffolk. IP32 7AR



01284 757500



01284 703534



sales@sealey.co.uk



www.sealey.co.uk



Parts Information:
Generator 2200W 110/230V 5.5hp
Model No: G2300.V3

Item	Part No.	Description
1	G2300.V3-E01	BOLT (M8x33.5)
2	G2300.V3-E02	OIL SEAL (B2541)
3	G2300.V3-E03	CRANKCASE COVER
4	G2300.V3-E04	OIL DIPSTICK
5	G2300.V3-E05	CRANKCASE GASKET
6	G2300.V3-E06	PIN (8x14)
7	G2300.V3-E07	BEARING (B/6205)
8	G2300.V3-E08	CAMSHAFT
9	G2300.V3-E09	CRANKSHAFT
10	G2300.V3-E10	SPEED GOVERNING SHAFT
11	G2300.V3-E11	SNAP RING
12	G2300.V3-E12	SPEED GOVERNING GEAR
13	G2300.V3-E13	SPEED SWINGING ROD WASHER
14	G2300.V3-E14	SPEED SWINGING PUSH PLATE
15	G2300.V3-E15	PISTON PIN CIRCLIP
16	G2300.V3-E16	CONNECT ROD ASS'Y
17	G2300.V3-E17	PISTON PIN
18	G2300.V3-E18	PISTON
19	G2300.V3-E19	PISTON RING SET
20	G2300.V3-E20	LOW OIL SENSOR
21	G2300.V3-E21	BOLT (M6x22)
22	G2300.V3-E22	OIL DRAIN BOLT (M10x1.5)
23	G2300.V3-E23	OIL DRAIN BOLT WASHER
24	G2300.V3-E24	CRANKCASE
25	G2300.V3-E25	VALVE TAPPET
26	G2300.V3-E26	VALVE LIFTER
27	G2300.V3-E27	STUD (M8x34)
28	G2300.V3-E28	BOLT (M6x12)
29	G2300.V3-E29	LEAD WIND COVER
30	G2300.V3-E30	PUSH GUIDE ASS'Y
31	G2300.V3-E31	VALVE ROCKET ASS'Y
32	G2300.V3-E32	CYLINDER HEAD COVER GASKET
33	G2300.V3-E33	CYLINDER HEAD COVER
34	G2300.V3-E34	CAP
35	G2300.V3-E35	INTAKE SPRING SEAT
36	G2300.V3-E36	EXHAUST SPRING SEAT
37	G2300.V3-E37	VALVE SPRING
38	G2300.V3-E38	OIL SEAL, PIPE
39	G2300.V3-E39	BOLT (M8x60)
40	G2300.V3-E40	SPARK PLUG
41	G2300.V3-E41	CYLINDER HEAD

Item	Part No.	Description
42	G2300.V3-E42	OUTLET VALVE
43	G2300.V3-E43	INLET VALVE
44	G2300.V3-E44	CYLINDER HEAD GASKET
45	G2300.V3-E45	PIN (10x16)
46	G2300.V3-E46	FLYWHEEL
47	G2300.V3-E47	FLYWHEEL FAN
48	G2300.V3-E48	IGNITION COIL
49	G2300.V3-E49	STARTING FLANGE
50	SN14.S	STEEL NUT M14 ZINC DIN934(SINGLE)
51	G2300.V3-E51	WIND HOOD
52	G2300.V3-E52	RUBBER BUNG
53	G2300.V3-E53	RECOIL STARTER
54	G2300.V3-E54	STUD (M6x105)
55	G2300.V3-E55	INLET GASKET
56	G2300.V3-E56	CARBURATOR CUSHION BLOCK
57	G2300.V3-E57	CARBURATOR GASKET
58	G2300.V3-E58	CARBURATOR
59	G2300.V3-E59	AIR CLEANER GASKET
60	G2300.V3-E60	AIR CLEANER
61	G2300.V3-E61	SHROAD COMPLETE
62	G2300.V3-E62	VALVE
63	G2300.V3-E63	BOLT (M6x8)
64	G2300.V3-E64	SPEED SWING ROD
65	G2300.V3-E65	WASHER
66	G2300.V3-E66	LOCK CLAMPS
67	G2300.V3-E67	SPEED GOVERNING ARM
68	G2300.V3-E68	LOCK BOLT
69	SN6.S	STEEL NUT M6 ZINC DIN934 (SINGLE)
70	G2300.V3-E70	SPEED GOVERNING SPRING
71	G2300.V3-E71	THROTTLE RESET SPRING
72	G2300.V3-E72	SPEED GOVERNING PULL ROD
73	G2300.V3-E73	BOLT (M5x25)
74	G2300.V3-E74	WIND PLATE
75	G2300.V3-E75	BREATHING TUBE
76	G2300.V3-E76	SPEED GOVERNING ASS'Y
77	SN5.S	STEEL NUT M5 ZINC DIN934 (SINGLE)
78	G2300.V3-E78	CLAMP CORD
79	G2300.V3-E79	COIL
80	G2300.V3-E80	BOLT (M6x28)
81	G2300.V3-E81	STARTING MOTOR ASS'Y
82	G2300.V3-E82	BOLT (M6x30)

NOTE: It is our policy to continually improve products and as such we reserve the right to alter data, specifications and component parts without prior notice.

IMPORTANT: No liability is accepted for incorrect use of product.

WARRANTY: Guarantee is 12 months from purchase date, proof of which will be required for any claim.

Sealey Group, Kempson Way, Suffolk Business Park, Bury St Edmunds, Suffolk. IP32 7AR



01284 757500



01284 703534



sales@sealey.co.uk



www.sealey.co.uk