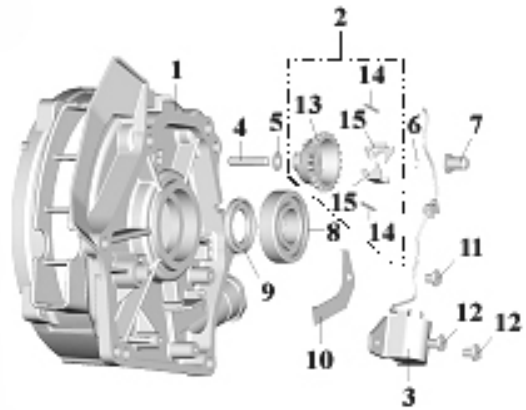
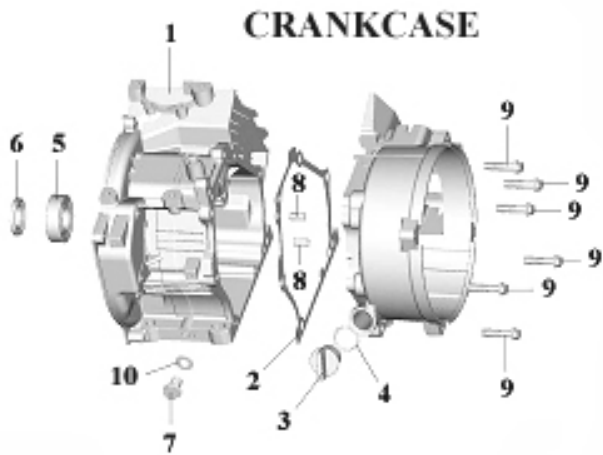
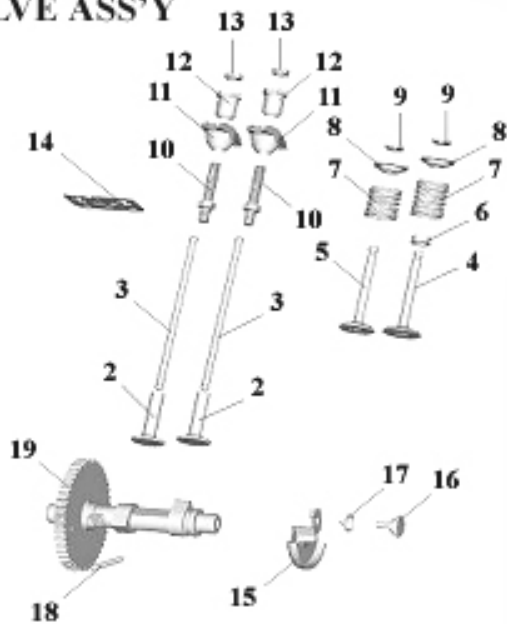


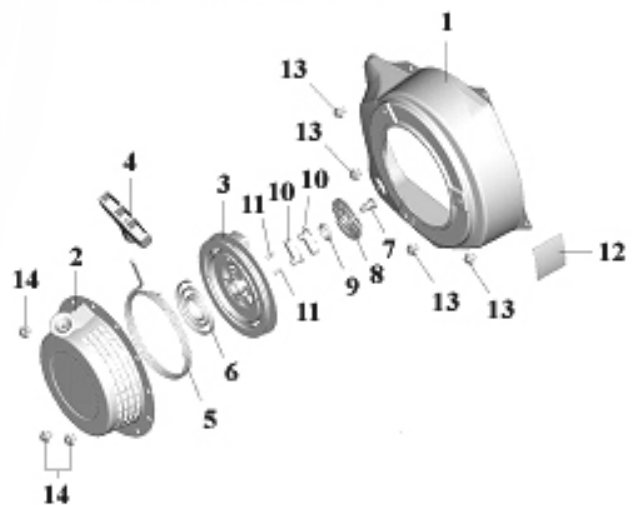
CRANKCASE COVER



VALVE ASS'Y



STARTER ASS'Y

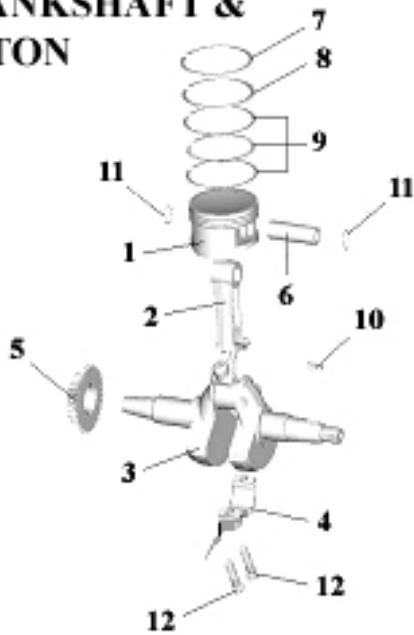


NOTE: It is our policy to continually improve products and as such we reserve the right to alter data, specifications and component parts without prior notice.

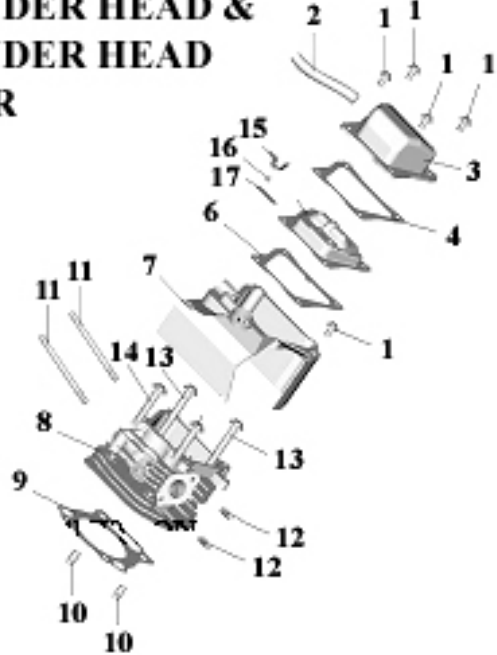
IMPORTANT: No liability is accepted for incorrect use of product.

WARRANTY: Guarantee is 12 months from purchase date, proof of which will be required for any claim.

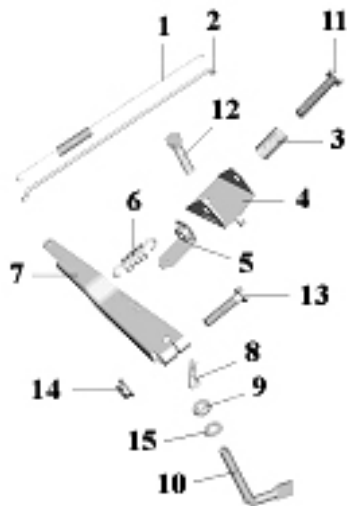
CRANKSHAFT & PISTON



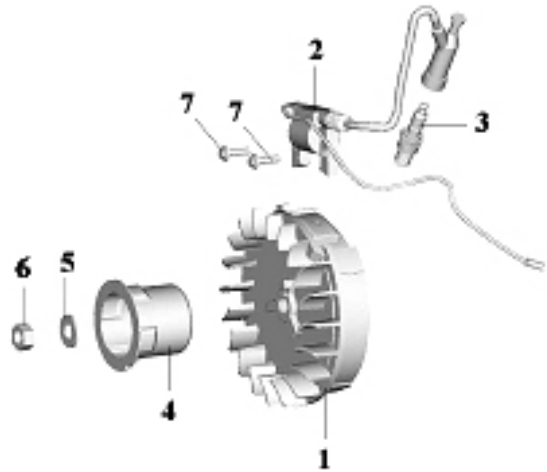
CYLINDER HEAD & CYLINDER HEAD COVER



REGULATOR ASS'Y



IGNITION ASS'Y

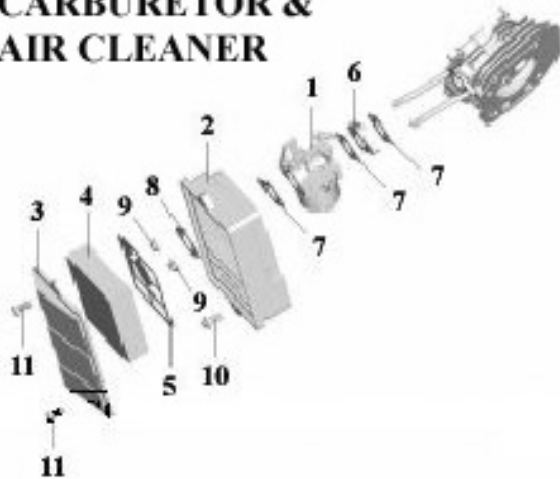


NOTE: It is our policy to continually improve products and as such we reserve the right to alter data, specifications and component parts without prior notice.

IMPORTANT: No liability is accepted for incorrect use of product.

WARRANTY: Guarantee is 12 months from purchase date, proof of which will be required for any claim.

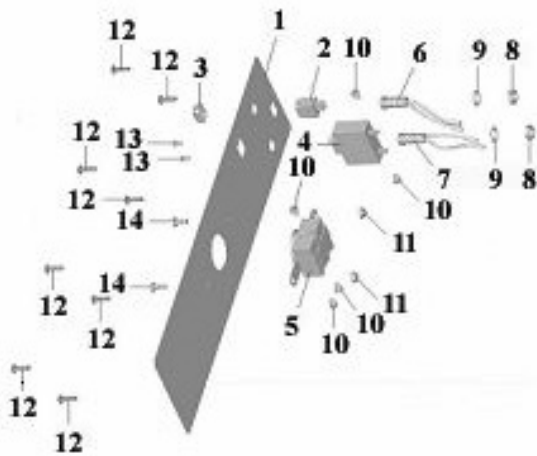
CARBURETOR & AIR CLEANER



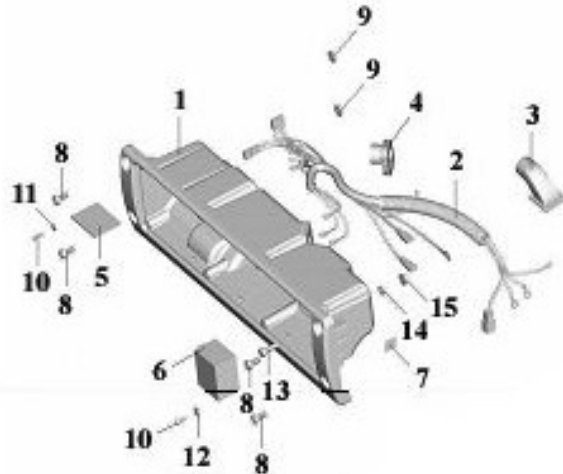
MUFFLER ASS'Y



CONTROL PANEL ASS'Y



ELECTRICAL BOX ASS'Y

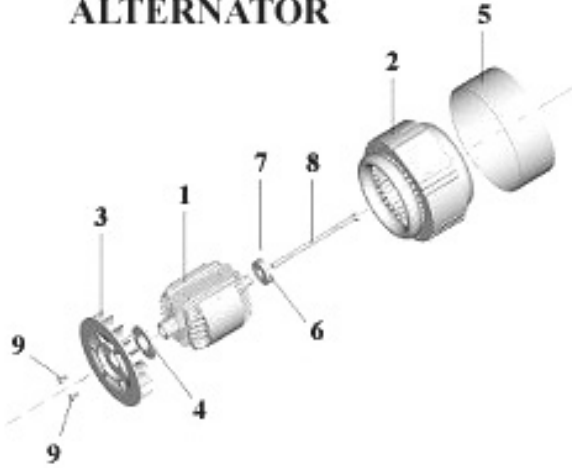


NOTE: It is our policy to continually improve products and as such we reserve the right to alter data, specifications and component parts without prior notice.

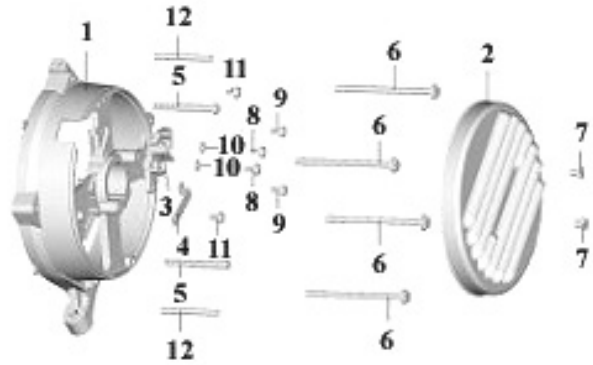
IMPORTANT: No liability is accepted for incorrect use of product.

WARRANTY: Guarantee is 12 months from purchase date, proof of which will be required for any claim.

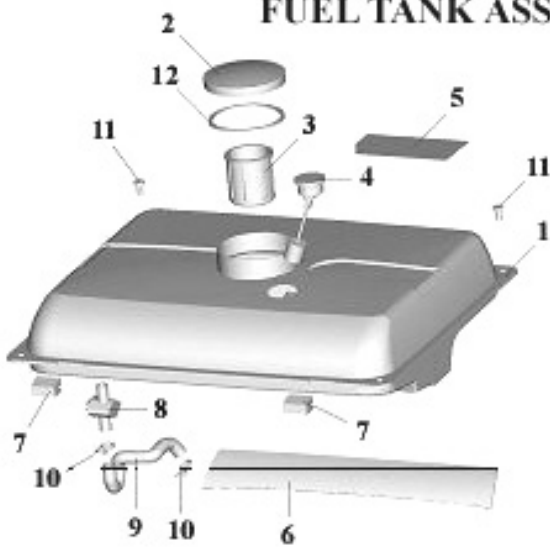
ALTERNATOR



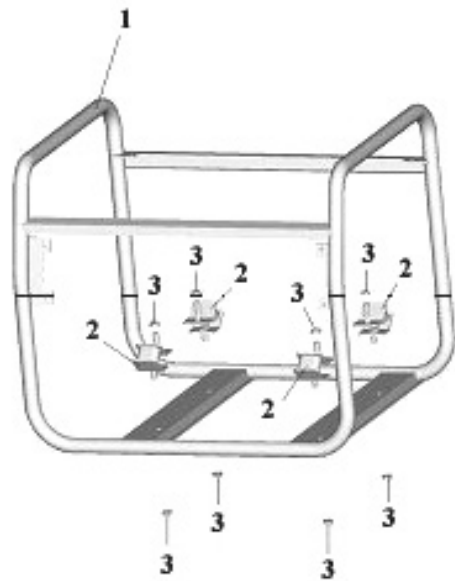
ALTERNATOR SUPPORT & COVER



FUEL TANK ASS'Y



FRAME ASSEMBLY



NOTE: It is our policy to continually improve products and as such we reserve the right to alter data, specifications and component parts without prior notice.

IMPORTANT: No liability is accepted for incorrect use of product.

WARRANTY: Guarantee is 12 months from purchase date, proof of which will be required for any claim.



Parts Information:
Generator 2300W 230V 6hp
Model No: G2300.V2

Item	Part No.	Description
	CRANKCASE	
1	G2300V2.01-1	CRANKCASE
2	G2300V2.01-2	CRANKCASE GASKET
3	G2300V2.01-3	OIL PLUG + O RING
4	G2300V2.01-3	OIL PLUG + O RING
5	G2300V2.01-5	BEARING
6	G2300V2.01-6	SEAL
7	G2300V2.01-7	OIL DRAIN PLUG
8	G2300V2.01-8	DOWEL PIN
9	G2300V2.01-9	BOLT
10	G2300V2.01-10	WASHER
	CRANKCASE COVER	
1	G2300V2.02-1	CRANKCASE COVER
2	G2300V2.02-2	GEAR ASS'Y
3	G2300V2.02-3	OIL ALARM UNIT
4	G2300V2.02-4	AXLE
5	G2300V2.02-5	WASHER
6	G2300V2.02-6	SPRING
7	G2300V2.02-7	CAP
8	G2300V2.02-8	BEARING
9	G2300V2.02-9	SEAL
10	G2300V2.02-10	WIRE CLIP
11	G2300V2.02-11	BOLT
12	G2300V2.02-12	BOLT
13	G2300V2.02-13	GEAR
14	G2300V2.02-14	PIN
15	G2300V2.02-15	SHIFT CLAMP
	CRANKSHAFT & PISTON	
1	G2300V2.03-1	PISTON
2	G2300V2.03-2	CONNECTING ROD
3	G2300V2.03-3	CRANKSHAFT
4	G2300V2.03-4	CONNECTING ROD COVER
5	G2300V2.03-5	GEAR
6	G2300V2.03-6	PISTON PIN
7	G2300V2.03-9	OIL RING ASS'Y(+ 2 PISTON RINGS)
8	G2300V2.03-9	OIL RING ASS'Y(+ 2 PISTON RINGS)
9	G2300V2.03-9	OIL RING ASS'Y(+ 2 PISTON RINGS)
10	G2300V2.03-10	KEY
11	G2300V2.03-11	CIRCLIP
12	G2300V2.03-12	BOLT
	CYLINDER HEAD & COVER	

Item	Part No.	Description
1	G2300V2.04-1	BOLT
2	G2300V2.04-2	HOSE
3	G2300V2.04-3	CYLINDER HEAD COVER (OUTER)
4	G2300V2.04-3A	CYLINDER HEAD COVER (INCLUDES PARTS 3,4,
5	G2300V2.04-3A	CYLINDER HEAD COVER (INCLUDES PARTS 3,4,
6	G2300V2.04-6	CYLINDER HEAD COVER GASKET
7	G2300V2.04-7	CYLINDER HEAD SHROUD (NLA)
8	G2300V2.04-8	CYLINDER HEAD ASS'Y
9	G2300V2.04-9	CYLINDER HEAD GASKET
10	G2300V2.04-10	CYLINDER HEAD PIN
11	G2300V2.04-11	STUD BOLT
12	G2300V2.04-12	STUD BOLT
13	G2300V2.04-13	BOLT
14	G2300V2.04-14	BOLT
15	G2300V2.04-15	LOCATING PLATE
16	G2300V2.04-16	RIVET
17	G2300V2.04-17	VALVE REED
	VALVE ASS'Y	
1	G2300V2.05-1	CAMSHAFT ASS'Y
2	G2300V2.05-2	TAPPET
3	G2300V2.05-3	PUSHER
4	G2300V2.05-4	INTAKE VALVE+ EXHAUST VALVE ASSY
5	G2300V2.05-4	INTAKE VALVE+ EXHAUST VALVE ASSY
6	G2300V2.05-6	SEAL
7	G2300V2.05-7	SPRING
8	G2300V2.05-8	SPRING RETAINER
9	G2300V2.05-9	CLIP
10	G2300V2.05-11	ROCKER ARM(INCL SCREW,ARM BRACKET,NUT)
11	G2300V2.05-11	ROCKER ARM(INCL SCREW,ARM BRACKET,NUT)
12	G2300V2.05-11	ROCKER ARM(INCL SCREW,ARM BRACKET,NUT)
13	G2300V2.05-11	ROCKER ARM(INCL SCREW,ARM BRACKET,NUT)
14	G2300V2.05-14	GUIDE PLATE
15	G2300V2.05-15	ECCENTRIC PLATE
16	G2300V2.05-16	RIVET
17	G2300V2.05-17	SPRING
18	G2300V2.05-18	ECCENTRIC SHAFT
19	G2300V2.05-19	CAMSHAFT

NOTE: It is our policy to continually improve products and as such we reserve the right to alter data, specifications and component parts without prior notice.

IMPORTANT: No liability is accepted for incorrect use of product.

WARRANTY: Guarantee is 12 months from purchase date, proof of which will be required for any claim.

Sealey Group, Kempson Way, Suffolk Business Park, Bury St Edmunds, Suffolk. IP32 7AR



01284 757500



01284 703534



sales@sealey.co.uk



www.sealey.co.uk



Parts Information:
Generator 2300W 230V 6hp
Model No: G2300.V2

Item	Part No.	Description
		STARTER ASS'Y
1	G2300V2.06-1	FAN COVER ASS'Y
2	G2300V2.06-2	RECOIL STARTER COVER ASSY INCL PARTS 3-1
3	G2300V2.06-2	RECOIL STARTER COVER ASSY INCL PARTS 3-1
4	G2300V2.06-2	RECOIL STARTER COVER ASSY INCL PARTS 3-1
5	G2300V2.06-2	RECOIL STARTER COVER ASSY INCL PARTS 3-1
6	G2300V2.06-2	RECOIL STARTER COVER ASSY INCL PARTS 3-1
7	G2300V2.06-2	RECOIL STARTER COVER ASSY INCL PARTS 3-1
8	G2300V2.06-2	RECOIL STARTER COVER ASSY INCL PARTS 3-1
9	G2300V2.06-2	RECOIL STARTER COVER ASSY INCL PARTS 3-1
10	G2300V2.06-2	RECOIL STARTER COVER ASSY INCL PARTS 3-1
11	G2300V2.06-2	RECOIL STARTER COVER ASSY INCL PARTS 3-1
12	G2300V2.06-2	RECOIL STARTER COVER ASSY INCL PARTS 3-1
13	G2300V2.06-13	BOLT
14	G2300V2.06-14	BOLT
		REGULATOR ASS'Y
1	G2300V2.07-1	SPRING
2	G2300V2.07-2	LINK ROD
3	G2300V2.07-3	SPRING
4	G2300V2.07-4	ADJUST PLATE
5	G2300V2.07-5	ADJUST BRACKET
6	G2300V2.07-6	SPRING
7	G2300V2.07-7	GOVERNOR ARM
8	G2300V2.07-8	COTTER PIN
9	G2300V2.07-9	SEAL
10	G2300V2.07-10	GOVERNOR SHAFT
11	G2300V2.07-11	SCREW
12	G2300V2.07-12	BOLT
13	G2300V2.07-13	BOLT
14	G2300V2.07-14	NUT
15	G2300V2.07-15	WASHER
		IGNITION ASS'Y
1	G2300V2.08-1	FLYWHEEL
2	G2300V2.08-2	IGNITION COIL ASS'Y

Item	Part No.	Description
3	G2300V2.08-3	SPARK PLUG
4	G2300V2.08-4	STARTER PULLEY
5	G2300V2.08-5	WASHER
6	G2300V2.08-6	NUT
7	G2300V2.08-7	BOLT
		CARBURETOR & AIR CLEANER
1	G2300V2.09-1	CARBURETTOR
2	G2300V2.09-2	AIR FILTER CASE
3	G2300V2.09-3	AIR FILTER COVER ASSY INCL PARTS 2,4,5,
4	G2300V2.09-4	AIR FILTER
5	G2300V2.09-5	FILTER GASKET
6	G2300V2.09-6	GASKET ASSY INCL PART 7
7	G2300V2.09-6	GASKET ASSY INCL PART 7
8	G2300V2.09-8	PLATE
9	G2300V2.09-9	NUT
10	G2300V2.09-10	BOLT
11	G2300V2.09-11	SCREW
		MUFFLER ASS'Y
1	G2300V2.10-2	MUFFLER ASSY INCLPARTS 1,3
2	G2300V2.10-2	MUFFLER ASSY INCLPARTS 1,3
3	G2300V2.10-3	SHOCKPROOF ABSORBER
4	G2300V2.10-4	GASKET
5	G2300V2.10-5	BOLT
6	G2300V2.10-6	NUT
7	G2300V2.10-7	BOLT
8	G2300V2.10-8	MUFFLER SCREEN
9	G2300V2.10-9	HOLDER CLIP
10	G2300V2.10-10	MUFFLER SCREEN
11	G2300V2.10-11	WASHER
12	G2300V2.10-12	BOLT
		ROTOR ASS'Y
1	G2300V2.11-1	ROTOR
2	G2300V2.11-2	STATOR
3	G2300V2.11-3	FAN
4	G2300V2.11-1A	ROTOR ASS'Y
5	G2300V2.11-5	STATOR COVER
6	G2300V2.11-1A	ROTOR ASS'Y
7	G2300V2.11-1A	ROTOR ASS'Y
8	G2300V2.11-1A	ROTOR ASS'Y
9	G2300V2.11-1A	ROTOR ASS'Y
--	G2300V2.11-10	SPRING WASHER (NOT SHOWN)
--	G2300V2.11-11	SCREW (NOT SHOWN)

NOTE: It is our policy to continually improve products and as such we reserve the right to alter data, specifications and component parts without prior notice.

IMPORTANT: No liability is accepted for incorrect use of product.

WARRANTY: Guarantee is 12 months from purchase date, proof of which will be required for any claim.

Sealey Group, Kempson Way, Suffolk Business Park, Bury St Edmunds, Suffolk. IP32 7AR



01284 757500



01284 703534



sales@sealey.co.uk



www.sealey.co.uk



Parts Information:
Generator 2300W 230V 6hp
Model No: G2300.V2

Item	Part No.	Description
	ALTERNATOR SUPPORT & COVER	
1	G2300V2.12-1	REAR FRAME
2	G2300V2.12-2	END COVER
3	G2300V2.12-3	LOCATING BRACKET
4	G2300V2.12-4	CUSHION
5	G2300V2.12-5	BOLT
6	G2300V2.12-6	BOLT
7	G2300V2.12-7	BOLT
8	G2300V2.12-8	SCREW
9	G2300V2.12-9	SPRING WASHER
10	G2300V2.12-10	WASHER
11	G2300V2.12-11	SCREW
12	G2300V2.12-12	INSULATED SHEATH
	CONTROL PANEL ASS'Y	
1	G2300V2.13-1	CONTROL PANEL DISPLAY
2	G2300V2.13-2	STARTER SWITCH
3	G2300V2.13-3	SWITCH PROTECTION
4	G2300V2.13-4	CUT-OUT SWITCH
5	G2300V2.13-5	SOCKET
6	G2300V2.13-6	WARNING LAMP
7	G2300V2.13-7	AC LAMP
8	G2300V2.13-8	NUT
9	G2300V2.13-9	SPRING WASHER
10	G2300V2.13-10	SCREW
11	G2300V2.13-11	SPRING WASHER
12	G2300V2.13-12	NUT
13	G2300V2.13-13	SCREW
14	G2300V2.13-14	SCREW
15	G2300V2.13-15	SCREW
16	G2300V2.13-16	SCREW

Item	Part No.	Description
	ELECTRICAL BOX ASS'Y	
1	G2300V2.14-1	ELECTRIC BOX
2	G2300V2.14-2	MAINS CABLE
3	G2300V2.14-3	WIRE GRIP
4	G2300V2.14-4	WIRE GRIP
5	G2300V2.14-5	CIRCUIT CONTROL PLATE
6	G2300V2.14-6	CAPACITOR
7	G2300V2.14-7	EARTH PROTECTION
8	G2300V2.14-8	SCREW
9	G2300V2.14-9	NUT
10	G2300V2.14-10	SCREW
11	G2300V2.14-11	WASHER
12	G2300V2.14-12	WASHER
13	G2300V2.14-13	BOLT
14	G2300V2.14-14	NUT
15	G2300V2.14-15	NUT
	FUEL TANK ASS'Y	
1	G2300V2.15-1	FUEL TANK
2	G2300V2.15-2	FUEL TANK CAP
3	G2300V2.15-3	FUEL FILTER
4	G2300V2.15-4	FUEL GAUGE
5	G2300V2.15-5	WARNING LABEL
6	G2300V2.15-6	LABEL
7	G2300V2.15-7	SHOCK ABSORBER
8	G2300V2.15-8	FUEL TANK SWITCH
9	G2300V2.15-9	FUEL HOSE
10	G2300V2.15-10	C-CLIP
11	G2300V2.15-11	BOLT
12	G2300V2.15-12	TANK CAP SEAL
	FRAME ASS'Y	
1	G2300V2.16-1	FRAME
2	G2300V2.16-2	SHOCKPROOF FEET
3	G2300V2.16-3	NUT

NOTE: It is our policy to continually improve products and as such we reserve the right to alter data, specifications and component parts without prior notice.

IMPORTANT: No liability is accepted for incorrect use of product.

WARRANTY: Guarantee is 12 months from purchase date, proof of which will be required for any claim.

Sealey Group, Kempson Way, Suffolk Business Park, Bury St Edmunds, Suffolk. IP32 7AR



01284 757500



01284 703534



sales@sealey.co.uk



www.sealey.co.uk