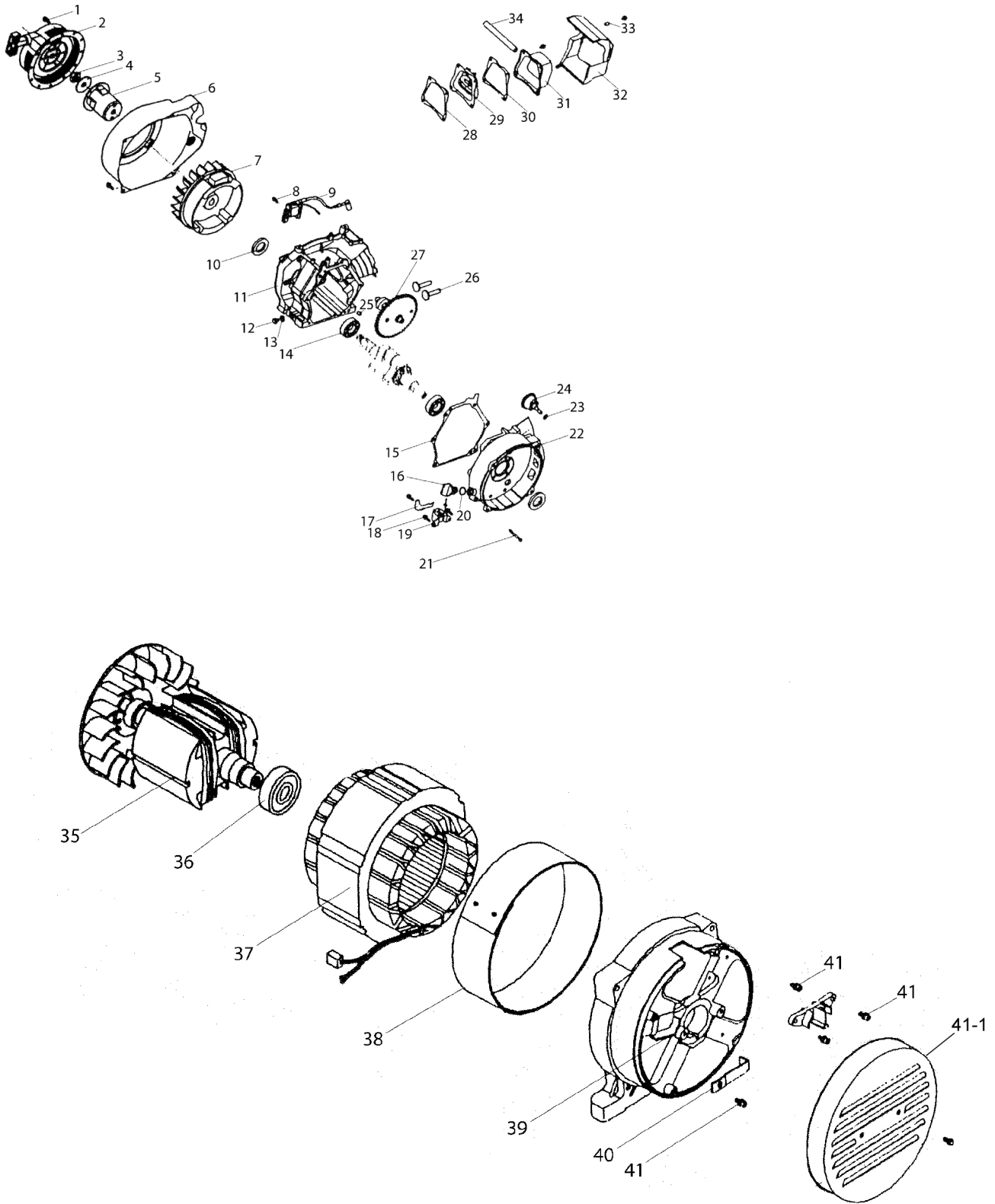




Parts Information:
Generator 2200W 110/230V 5.5hp
Model No: G2300



NOTE: It is our policy to continually improve products and as such we reserve the right to alter data, specifications and component parts without prior notice.

IMPORTANT: No liability is accepted for incorrect use of product.

WARRANTY: Guarantee is 12 months from purchase date, proof of which will be required for any claim.

Sealey Group, Kempson Way, Suffolk Business Park, Bury St Edmunds, Suffolk. IP32 7AR



01284 757500



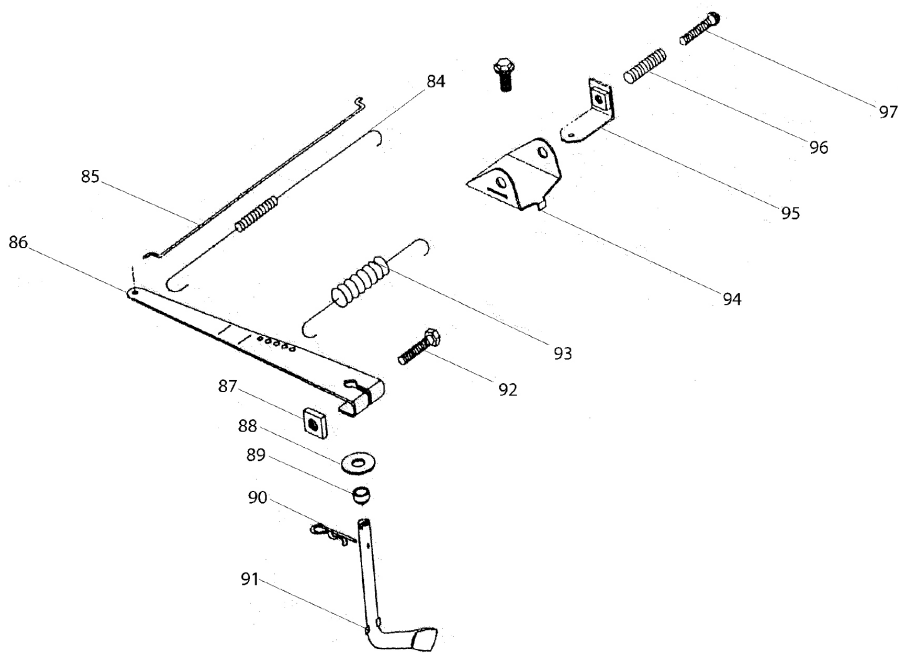
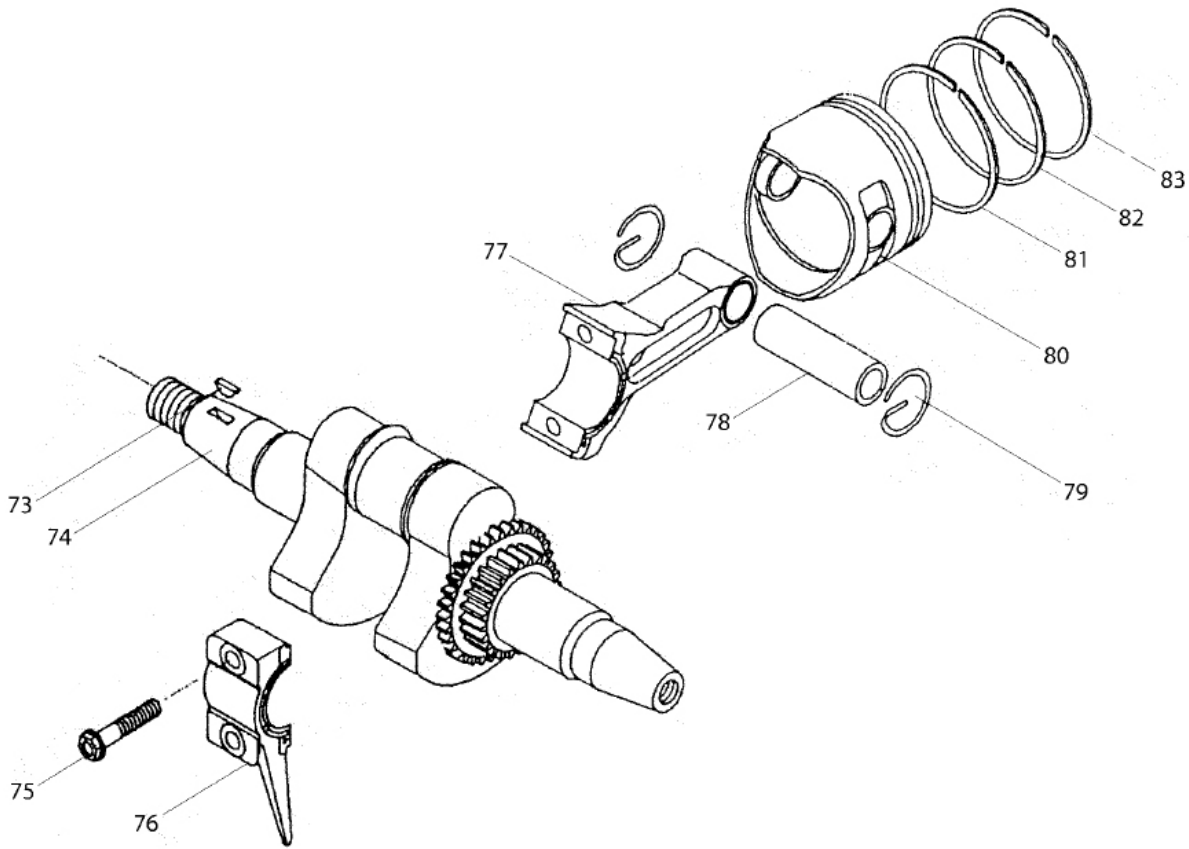
01284 703534



sales@sealey.co.uk



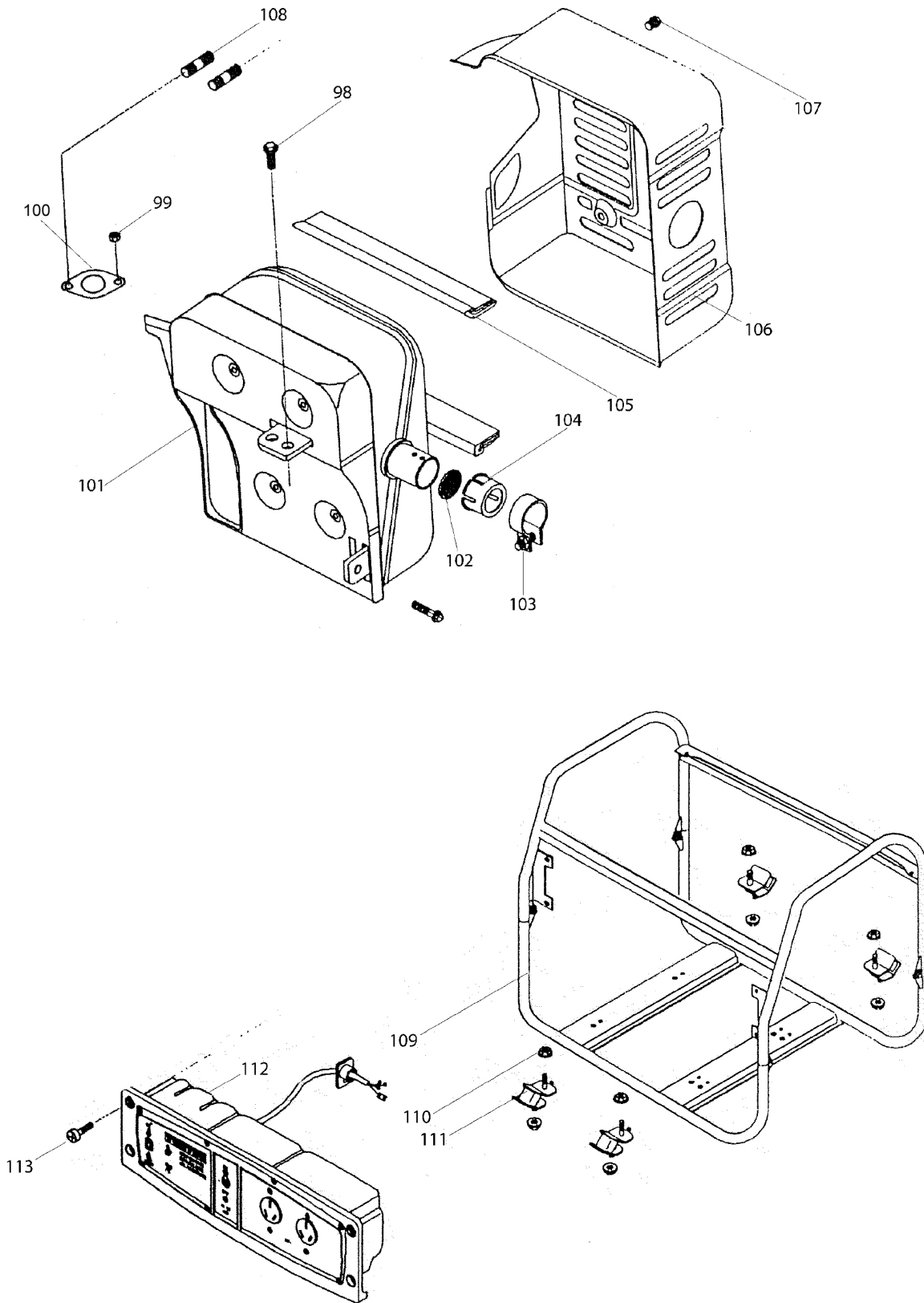
www.sealey.co.uk



NOTE: It is our policy to continually improve products and as such we reserve the right to alter data, specifications and component parts without prior notice.

IMPORTANT: No liability is accepted for incorrect use of product.

WARRANTY: Guarantee is 12 months from purchase date, proof of which will be required for any claim.



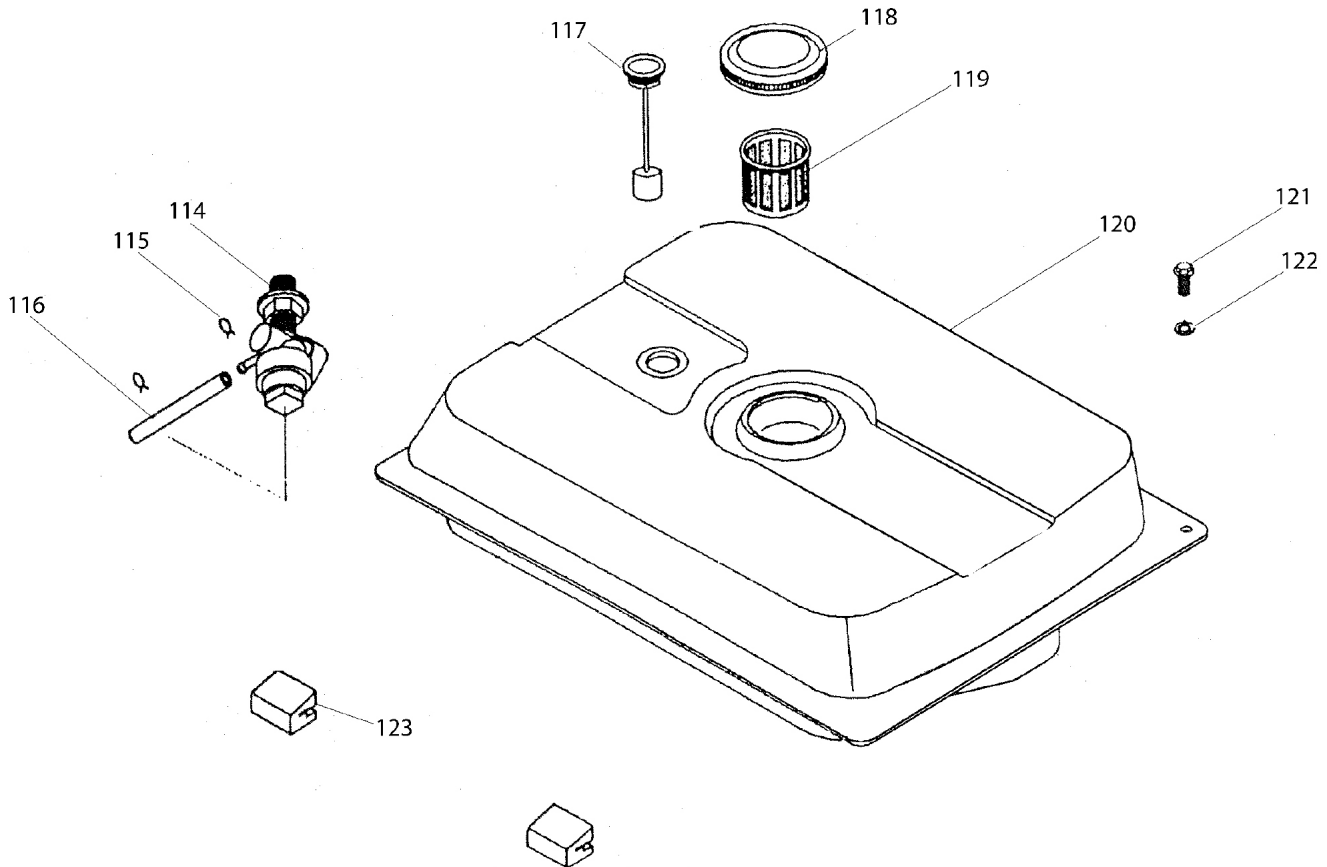
NOTE: It is our policy to continually improve products and as such we reserve the right to alter data, specifications and component parts without prior notice.

IMPORTANT: No liability is accepted for incorrect use of product.

WARRANTY: Guarantee is 12 months from purchase date, proof of which will be required for any claim.



Parts Information:
Generator 2200W 110/230V 5.5hp
Model No: G2300



NOTE: It is our policy to continually improve products and as such we reserve the right to alter data, specifications and component parts without prior notice.

IMPORTANT: No liability is accepted for incorrect use of product.

WARRANTY: Guarantee is 12 months from purchase date, proof of which will be required for any claim.

Sealey Group, Kempson Way, Suffolk Business Park, Bury St Edmunds, Suffolk. IP32 7AR



01284 757500



01284 703534



sales@sealey.co.uk



www.sealey.co.uk



Parts Information:
Generator 2200W 110/230V 5.5hp
Model No: G2300

Item	Part No.	Description
1	G1000EV2-67	BOLT M6
2	G2300.02	RECOIL STARTER
3	G2300.03	VALVE
4	G2300.04	GASKET
5	G2300.05	STARTER PULLEY
6	G2300.06	WIND LEADER
7	G2300.07	FLYWHEEL
8	G2300.08	HEXAGON BOLT C/W FLANGE
9	G2300.09	IGNITOR
10	G2300.10	OIL SEAL
11	G2300.11	CRANKCASE
12	G2300.12	BOLT M10x1.5x16
13	G2300.13	WASHER
14	G2300.14	BEARING
15	G2300.15	GASKET
16	G2300.16	OIL COVER
17	G2300.17	LOCATING SHEET
18	G2300.18	FLANGE BOLT M6X12
19	G2300.19	OIL LEVEL GAUGE
20	G2300.20	RING SEAL
21	SFS835.S	HEX HEAD FLANGE BOLT M8x35 SINGLE
22	G2300.22	CRANKCASE COVER
23	G2300.23	WASHER
24	G2300.24	SPEED REGULATING WHEEL
25	G2300.25	LOCATING RING
26	G2300.26	VALVE LIFTER
27	G2300.27	CAMSHAFT
28	G2300.28	GASKET
29	G2300.29	INSIDE SHEET
30	G2300.30	GASKET
31	G2300.31	CYLINDER HEAD COVER
32	G2300.32	CYLINDER SHROUD
33	G2300.33	BUSH
34	G2300.34	GAS PIPE
35	G2300.35	ROTOR
36	B/6203-2RS	BEARING 6203-2RS
37	G2300.37	STATOR
38	G2300.38	STATOR COVER
39	G2300V2.12-1	REAR FRAME

Item	Part No.	Description
--	G2300.39-1	REAR FRAME COVER (NOT SHOWN)
40	G2300.40	LOCATING SHEET
41	G2300.41	SCREW & WASHER ASS'Y
41.1	G2300.41-1	END COVER
42	G2300.42	GASKET
43	G2300.43	INTAKE VALVE
44	G2300.44	CYLINDER HEAD
45	G2300.45	OIL SEAL
46	G2300.46	VALVE SPRING
47	G2300.47	VALVE RETAINE
48	G2300.48	VALVE COTTER
49	G2300.49	SPARK PLUG
50	G2300.50	PISTON PIN
51	G2300.51	EXHAUST VALVE
52	G2300.52	PUSH ROD
53	G2300.53	PUSH ROD GUIDE
54	G2300.54	WASHER
55	G2300.55	BOLT
56	G2300.56	ROCKER ARM
57	G2300.57	ADJUSTER
58	G2300.58	HEXAGON BOLT
59	G2300.59	HEXAGON BOLT C/W FLANGE
60	G2300.60	FLANGE BOLT M8X65
61	G2300.61	CROSS HEAD SCREW
62	G2300.62	AIR FILTER COVER
63	G2300.63	AIR FILTER
64	G2300.64	ELEMENT FITTING PLATE
65	G2300.65	HEXAGON NUT
66	G2300.66	PLATE
67	G2300.67	AIR FILTER CASE
68	G2300.68	GASKET
69	G2300.69	CARBURETTOR
70	G2300.70	GASKET
71	G2300.71	GASKET
72	G2300.72	STUD M6x85
73	G2300.73	KEY
74	G2300.74	CRANK ASSY (INCLUDES PART 76)
75	G2300.75	HEXAGON BOLT C/W FLANGE

NOTE: It is our policy to continually improve products and as such we reserve the right to alter data, specifications and component parts without prior notice.

IMPORTANT: No liability is accepted for incorrect use of product.

WARRANTY: Guarantee is 12 months from purchase date, proof of which will be required for any claim.

Sealey Group, Kempson Way, Suffolk Business Park, Bury St Edmunds, Suffolk. IP32 7AR



01284 757500



01284 703534



sales@sealey.co.uk



www.sealey.co.uk



Parts Information:
Generator 2200W 110/230V 5.5hp
Model No: G2300

Item	Part No.	Description
76	G2300.76	CONNECTING ROD CAP
77	G2300.77	CONNECTING ROD
78	G2300.78	PISTON PIN
79	G2300.79	PISTON PIN CIRCLIP
80	G2300.80	PISTON
81	G2300.81	OIL RING
82	G2300.82	2nd COMPRESSION RING
83	G2300.83	1st COMPRESSION RING
84	G2300.84	SPRING
85	G2300.85	LINK ROD
86	G2300.86	GOVERNER ARM
87	G2300.87	SQUARE NUT
88	G2300.88	PLAIN WASHER
89	G2300.89	GOVERNER SHAFT SEAL
90	G2300.90	CLIP
91	G2300.91	GOVERNER SHAFT
92	G2300.92	BOLT M6X30
93	G2300.93	SPRING
94	G2300.94	ADJUST PLATE
95	G2300.95	ADJUST BRACKET
96	G2300.96	SPRING
97	G2300.97	CROSS HEAD SCREW
98	SFS614.S	HEX HEAD FLANGE BOLT M6x14 SINGLE
99	G2300.99	HEXAGON NUT
100	G2300.100	WASHER/GASKET
101	G2300.101	MUFFLER
102	G2300.102	MUFFLER NETTING

Item	Part No.	Description
103	G2300.103	CIRCLIP, HOOP
104	G2300.104	MUFFLER SCREEN
105	G2300.105	SHOCKPROOF BAR
106	G2300.106	MUFFLER COVER
107	G2300.121	HEXAGON BOLT C/W FLANGE
108	G2300.108	STUD M6x25
109	G2300.109	FRAME
110	FN8.S	FLANGE NUT SERRATED M8 ZINC (SINGLE)
111	G2300.111	SHOCKPROOF FEET
112	G2300.112	CONTROL BOX
113	G2300.112-1	FRONT PLATE FOR CONTROL BOX
--	G2300.112-2	SOCKET (NOT SHOWN)
--	G2300.112-3	ON/OFF SWITCH (NOT SHOWN)
--	G2300.113	CROSS HEAD SCREW (NOT SHOWN)
114	G2300.114	FUEL SWITCH
115	G2300.115	FUEL PIPE CLIP
116	G2300.116	FUEL PIPE
117	G2300.117	FUEL METER
118	G2300.118	FUEL TANK COVER
119	G2300.119	FUEL FILTER
120	G2300.120	FUEL TANK
121	G2300.121	HEXAGON BOLT C/W FLANGE
122	G2300.122	PLAIN WASHER
123	G2300.123	DAMPER
--	G2300.K	TOOL KIT (NOT SHOWN)
--	G2300.124	CARBURETTOR PIPE (NOT SHOWN)

NOTE: It is our policy to continually improve products and as such we reserve the right to alter data, specifications and component parts without prior notice.

IMPORTANT: No liability is accepted for incorrect use of product.

WARRANTY: Guarantee is 12 months from purchase date, proof of which will be required for any claim.

Sealey Group, Kempson Way, Suffolk Business Park, Bury St Edmunds, Suffolk. IP32 7AR



01284 757500



01284 703534



sales@sealey.co.uk



www.sealey.co.uk