

NOTE: It is our policy to continually improve products and as such we reserve the right to alter data, specifications and component parts without prior notice.

IMPORTANT: No liability is accepted for incorrect use of product.

WARRANTY: Guarantee is 12 months from purchase date, proof of which will be required for any claim.



Parts Information:
**Inverter Generator 2000W 230V 4-Stroke
 Engine**
Model No: G2000I

Item	Part No.	Description
1	G2000I.01	SCREW
2	G2000I.02	REAR COVER (BLACK)
3	G2000I.03	CARRY BAG
4	G2000I.04	PLUG LINE CABLE
5	G2000I.05	TOOL BAG
6	G2000I.06	OIL CAN
7	G2000I.07	TANK CAP
8	G2000I.08	NOZZLE
9	G2000I.09	TANK CAP ASS'Y
10	G2000I.10	FUEL SEAL
11	G2000I.11	FILTER CUP
12	G2000I.12	FUEL TANK COVER
13	G2000I.13	FUEL TANK RUBBER SEAL
14	G2000I.14	FUEL TANK
15	G2000I.15	FUEL LID ASS'Y
16	G2000I.16	VIBRATION ABSORBER
17	G2000I.17	ENGINE ASS'Y
18	G2000I.18	MUFFLER RUBBER SEAL
19	G2000I.19	SCREW
20	G2000I.20	REED NUT
21	G2000I.21	CASE AND INLAY, RIGHT
22	G2000I.22	FILTER
23	G2000I.23	NUT
24	G2000I.24	CASE COVER, RIGHT
25	G2000I.25	OIL FILLER CAP SCREW
26	G2000I.26	SELF-TAPPING SCREW
27	G2000I.27	FLAT WASHER
28	G2000I.28	SCREW
29	G2000I.29	RUBBER PAD
30	G2000I.30	NUT
31	G2000I.31	HANDLE SCREW
32	G2000I.32	FUEL SWITCH HANDLE
33	G2000I.33	FUEL SWITCH
34	G2000I.34	PIPE CLIP
35	G2000I.35	FUEL PIPE
36	G2000I.36	FUEL PIPE
37	G2000I.37	FUEL PIPE
38	G2000I.38	FUEL PIPE CLIP
39	G2000I.39	FUEL PUMP ASS'Y

Item	Part No.	Description
40	G2000I.40	VIBRATION ABSORBER
41	G2000I.41	VIBRATION ABSORBER
42	G2000I.42	INVERTER UNIT
43	G2000I.43	SELF-TAPPING SCREW
44	G2000I.44	FRONT COVER (BLACK)
45	G2000I.45	PANEL ASS'Y
46	G2000I.46	CABLE ASS'Y
47	G2000I.47	NUT
48	G2000I.48	FILTER
49	G2000I.49	CASE AND INLAY, LEFT
50	G2000I.50	FILTER
51	G2000I.51	TOP COVER
52	G2000I.52	SELF-TAPPING SCREW
54	G2000I.54	CONNECT PLATE
55	G2000I.55	VIBRATION ABSORBER
56	G2000I.56	FUEL PIPE CLIP
58	G2000I.58	BOLT
59	G2000I.59	CARBURATOR REMOVING TOOL
59.1	G2000I.59-1	TOOL BAG
59.2	G2000I.59-2	T-TYPE WRENCH
59.3	G2000I.59-3	SLEEVE 10mm
59.4	G2000I.59-4	SLEEVE 8mm
59.5	G2000I.59-5	SLEEVE 7mm
60	G2000I.60	OIL FUEL PIPE
61	G2000I.61	CABLE ASS'Y
62	G2000I.62	OILER
63	G2000I.63	TOOL BAG
65	G2000I.65	VIBRATION ABSORBER
--	G2000I.A1	CRANKCASE ASS'Y (NOT SHOWN)
--	G2000I.A2	CRANKSHAFT/PISTON/CONNECTING ROD ASS'Y (NOT SHOWN)
--	G2000I.A3	INTAKE & EXHAUST MECHANISM ASS'Y (NOT SHOWN_
--	G2000I.A4	CARBURETOR ASS'Y (NOT SHOWN)
--	G2000I.A5	AIR CLEANER ASS'Y (NOT SHOWN)
--	G2000I.A6	MUFFLER ASS'Y (NOT SHOWN)
--	G2000I.A7	STARTING SET ASS'Y (NOT SHOWN)
--	G2000I.A8	PLASTIC COVER/DOWN BRACKET ASS'Y (NOT SHOWN)
--	G2000I.A9	IGNITION SYSTEM ASS'Y (NOT SHOWN)

NOTE: It is our policy to continually improve products and as such we reserve the right to alter data, specifications and component parts without prior notice.

IMPORTANT: No liability is accepted for incorrect use of product.

WARRANTY: Guarantee is 12 months from purchase date, proof of which will be required for any claim.

Sealey Group, Kempson Way, Suffolk Business Park, Bury St Edmunds, Suffolk. IP32 7AR



01284 757500



01284 703534

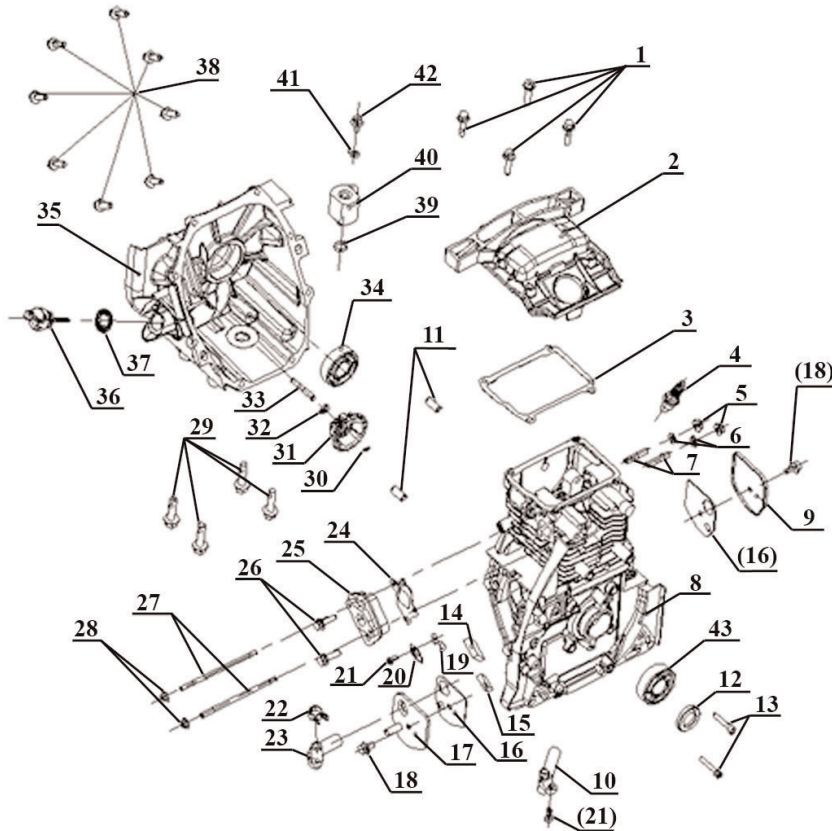


sales@sealey.co.uk



www.sealey.co.uk

Parts Information:
**Inverter Generator 2000W 230V 4-Stroke
 Engine
 Model No: G2000I**



Item	Part No.	Description
1	G2000I.A1-1	BOLT
2	G2000I.A1-2	CYLINDER HEAD
3	G2000I.A1-3	SPACER, CYLINDER HEAD
4	G2000I.A1-4	SPARK PLUG
5	G2000I.A1-5	NUT
6	G2000I.A1-6	WASHER
7	G2000I.A1-7	BOLT, EXHAUST PIPE
8	G2000I.A1-8	CRANKCASE
9	G2000I.A1-9	COVER, RIGHT
10	G2000I.A1-10	PIPE, PLASTIC
11	G2000I.A1-11	GUIDE, DOWEL
12	G2000I.A1-12	OIL SEAL
13	G2000I.A1-13	BOLT
14	G2000I.A1-14	FILTER
16	G2000I.A1-16	SPACER
17	G2000I.A1-17	COVER, LEFT
18	G2000I.A8-3	BOLT
19	G2000I.A1-19	BOLT, EXHAUST PIPE
20	G2000I.A1-20	PLATE, RESTRICT
21	G2000I.A1-21	BOLT
22	G2000I.A1-22	CIRCLIP
23	G2000I.A1-23	HOSE, INSPIRATOR

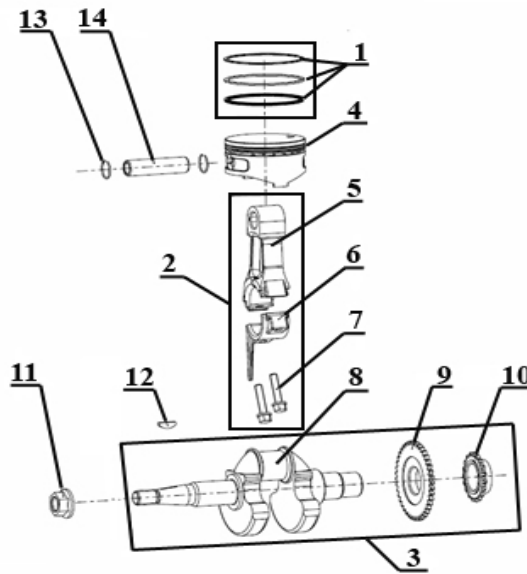
Item	Part No.	Description
24	G2000I.A1-24	SPACER
25	G2000I.A1-25	MATTRESS, HEAT INSULATING
26	G2000I.A1-1	BOLT
27	G2000I.A1-27	BOLT, INTAKE PIPE
28	G1050I.A2-10	NUT
29	G2000I.A1-29	BOLT
30	G2000I.A1-30	CIRCLIP
31	G2000I.A1-31	OIL GEAR
32	G2000I.A1-32	WASHER
33	G2000I.A1-33	PIN
34	G2000I.A1-43	BEARING
35	G2000I.A1-35	COVER, CRANKCASE
36	G2000I.A1-36	DIPSTICK
37	G2000I.A1-37	OIL SEAL ASS'Y
38	G2000I.A1-38	BOLT
39	G2000I.A1-39	O-RING
40	G2000I.A1-40	SENSOR ASS'Y
41	G2000I.A1-41	WASHER
42	G2000I.A8-3	BOLT
43	G2000I.A1-43	BEARING

NOTE: It is our policy to continually improve products and as such we reserve the right to alter data, specifications and component parts without prior notice.

IMPORTANT: No liability is accepted for incorrect use of product.

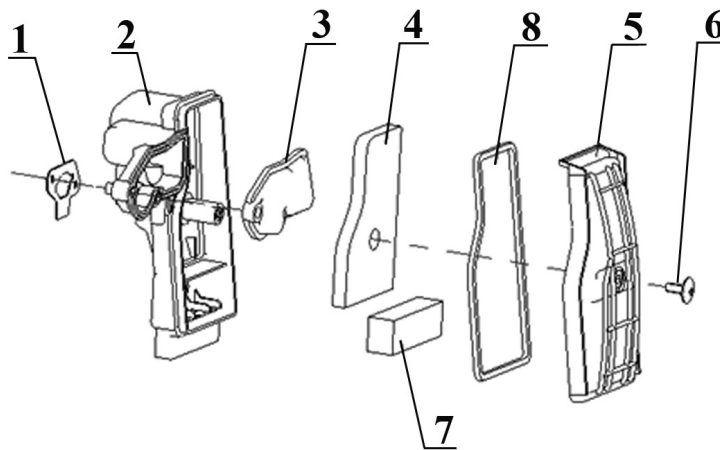
WARRANTY: Guarantee is 12 months from purchase date, proof of which will be required for any claim.

Parts Information:
**Inverter Generator 2000W 230V 4-Stroke
 Engine**
Model No: G2000I



Item	Part No.	Description
1	G2000I.A2-1	PISTON RING
2	G2000I.A2-2	CONNECTING ROD ASS'Y
3	G2000I.A2-3	CRANKSHAFT
4	G2000I.A2-4	PISTON
5	G2000I.A2-5	ROD, CONNECTING
6	G2000I.A2-6	COVER, CONNECTING ROD
7	G2000I.A2-7	BOLT, CONNECTING ROD

Item	Part No.	Description
8	G2000I.A2-8	CRANKSHAFT
9	G2000I.A2-9	DRIVEN GEAR
10	G2000I.A2-10	GEAR, CRANKSHAFT TIMING
11	G2000I.A2-11	NUT
12	G2000I.A2-12	KEY
13	G2000I.A2-13	CIRCLIP, PISTON PIN
14	G2000I.A2-14	PIN, PISTON



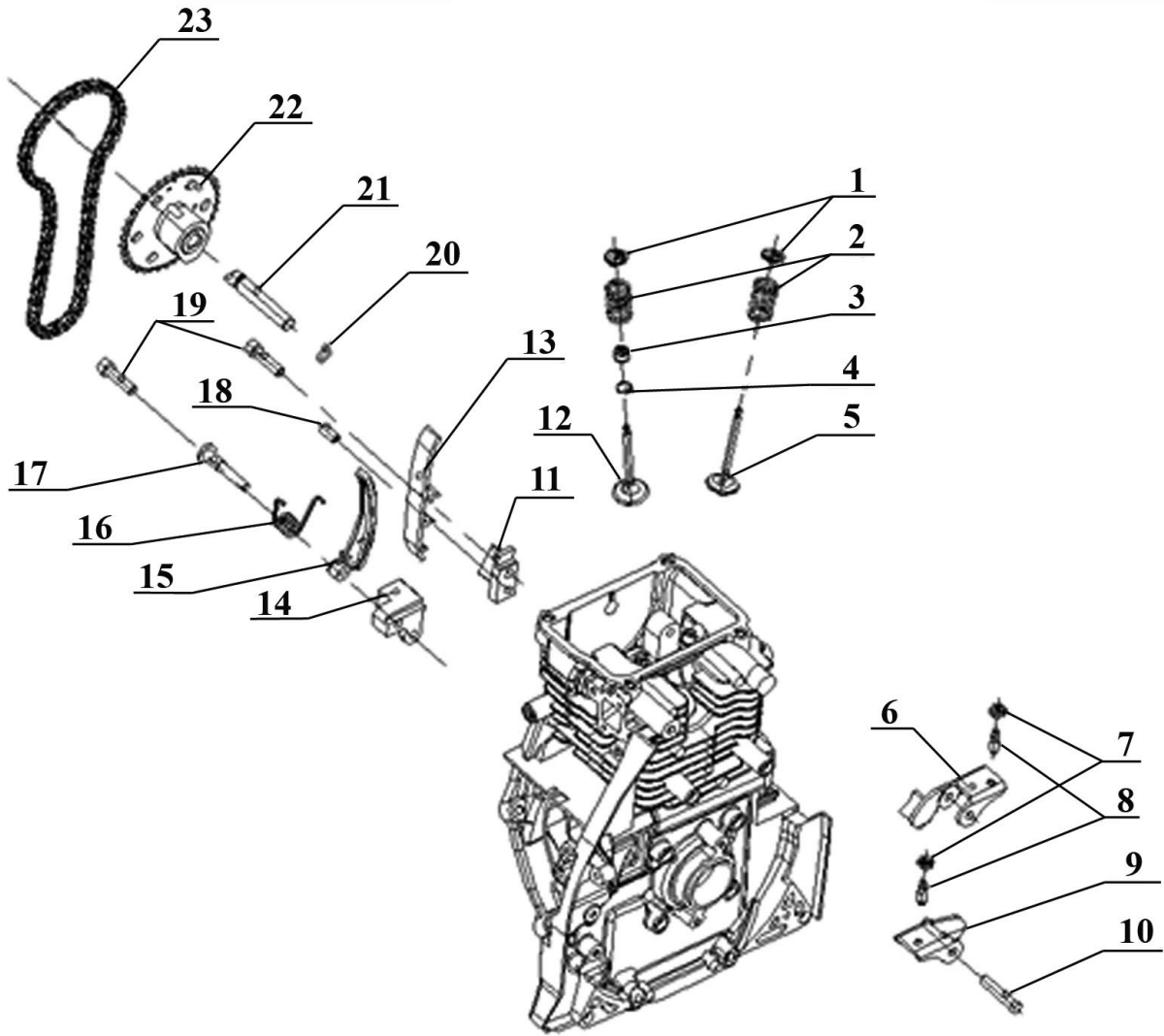
Item	Part No.	Description
1	G1050I.A5-1	WASHER, CRANKCASE COVER
2	G2000I.A5-2	AIR CLEANER
3	G2000I.A5-3	COVER, CLAMP
4	G2000I.A5-4	CORE, FILTERING

Item	Part No.	Description
5	G2000I.A5-5	COVER, AIR CLEANER
6	G2000I.A5-6	BOLT
7	G2000I.A5-7	CORE, FILTERING
8	G2000I.A5-8	SEALING STRIP

NOTE: It is our policy to continually improve products and as such we reserve the right to alter data, specifications and component parts without prior notice.

IMPORTANT: No liability is accepted for incorrect use of product.

WARRANTY: Guarantee is 12 months from purchase date, proof of which will be required for any claim.



Item	Part No.	Description
1	G2000I.A3-1	SPRING HOLDER, VALVE
2	G2000I.A3-2	SPRING, VALVE
3	G2000I.A3-3	OIL SEAL ASS'Y
4	G2000I.A3-4	SPRING
5	G2000I.A3-5	VALVE, EXHAUST
6	G2000I.A3-6	ARM, EXHAUST
7	G2000I.A3-7	ADJUSTING NUT, VALVE
8	G2000I.A3-8	ADJUSTING BOLT, VALVE
9	G2000I.A3-9	ARM, INTAKE
10	G2000I.A3-10	SHAFT, ARM
11	G2000I.A3-11	BASE, ORIENTED BELT
12	G2000I.A3-12	VALVE, INTAKE

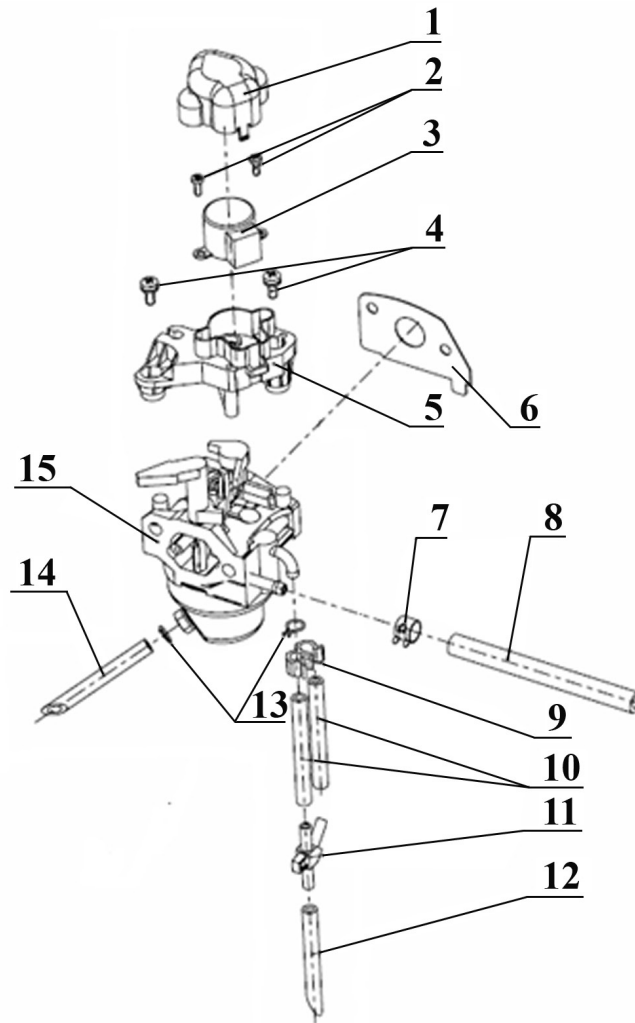
Item	Part No.	Description
13	G2000I.A3-13	ORIENTED, CHAIN BELT
14	G2000I.A3-14	FIXER, STRAIN
15	G2000I.A3-15	STRAIN, CHAIN BELT
16	G2000I.A3-16	SPRING
17	G2000I.A3-17	PIN, STRAIN
18	G2000I.A3-18	PIN, ORIENTED BELT
19	G2000I.A3-19	BOLT
20	G2000I.A3-20	O-RING
21	G2000I.A3-21	CAMSHAFT
22	G2000I.A3-22	CAM
23	G2000I.A3-23	CHAIN

NOTE: It is our policy to continually improve products and as such we reserve the right to alter data, specifications and component parts without prior notice.

IMPORTANT: No liability is accepted for incorrect use of product.

WARRANTY: Guarantee is 12 months from purchase date, proof of which will be required for any claim.

Parts Information:
**Inverter Generator 2000W 230V 4-Stroke
 Engine
 Model No: G2000I**



Item	Part No.	Description
1	G2000I.A4-1	COVER, DUST
2	G2000I.A4-2	BOLT
3	G2000I.A4-3	STEP ELECTROMOTOR
4	G2000I.A4-4	BOLT ASS'Y
5	G2000I.A4-5	SETTING, ELECTROMOTOR
6	G2000I.A4-6	SPACER, CARBURETOR
7	G2000I.A4-7	CLIP
8	G2000I.A4-8	HOSE, FUEL

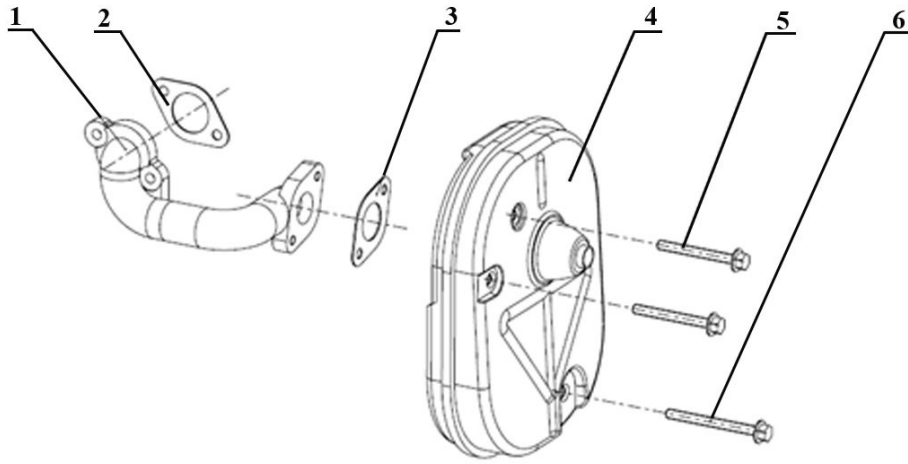
Item	Part No.	Description
9	G2000I.A4-9	CIRCLIP, HOSE
10	G2000I.A4-10	VENT PIPE, SHORT
11	G2000I.A4-11	TIE-IN, HOSE
12	G2000I.A4-12	VENT PIPE, LONG
13	G2000I.A4-13	CIRCLIP, CLARITY HOSE
14	G2000I.A4-14	CLARITY HOSE, OUT
15	G2000I.A4-15	CARBURETOR

NOTE: It is our policy to continually improve products and as such we reserve the right to alter data, specifications and component parts without prior notice.

IMPORTANT: No liability is accepted for incorrect use of product.

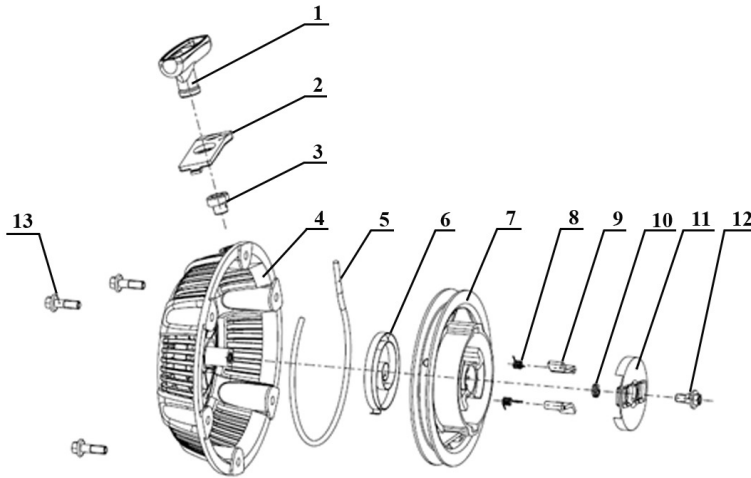
WARRANTY: Guarantee is 12 months from purchase date, proof of which will be required for any claim.

Parts Information:
**Inverter Generator 2000W 230V 4-Stroke
 Engine
 Model No: G2000I**



Item	Part No.	Description
1	G2000I.A6-1	TIE-IN, MUFFLER
2	G2000I.A6-2	SEAL, EXHAUST
3	G2000I.A6-3	SEAL, MUFFLER

Item	Part No.	Description
4	G2000I.A6-4	WELDING ASS'Y, MUFFLER
5	G2000I.A6-5	BOLT
6	G2000I.A6-6	BOLT



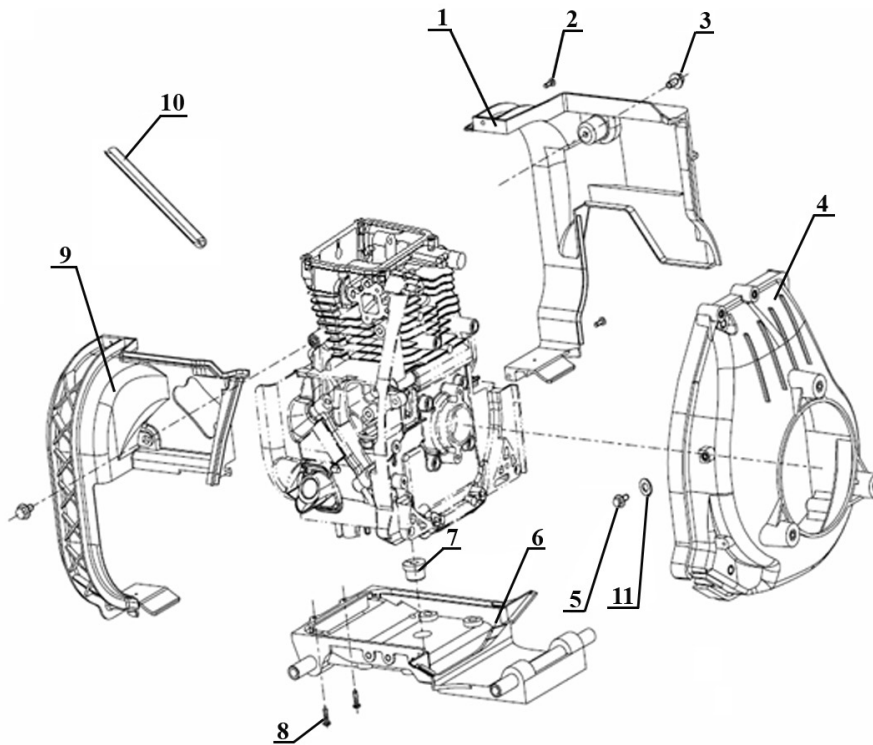
Item	Part No.	Description
1	G2000I.A7-1	HANDLE
2	G2000I.A7-2	COVER, OUTER
3	G2000I.A7-3	PIPE, GUIDE
4	G2000I.A7-4	COVER, STARTING
5	G2000I.A7-5	ROPE, STARTING
6	G2000I.A7-6	SPRING, TURBINATION
7	G2000I.A7-7	TABLE, ROTARY

Item	Part No.	Description
8	G2000I.A7-8	SPRING
9	G2000I.A7-9	BLOCK, CLUTCH
10	G2000I.A7-10	SPRING, PRESSURE
11	G2000I.A7-11	PLATE, GUIDE
12	G2000I.A7-12	BOLT
13	G2000I.A7-13	BOLT

NOTE: It is our policy to continually improve products and as such we reserve the right to alter data, specifications and component parts without prior notice.

IMPORTANT: No liability is accepted for incorrect use of product.

WARRANTY: Guarantee is 12 months from purchase date, proof of which will be required for any claim.



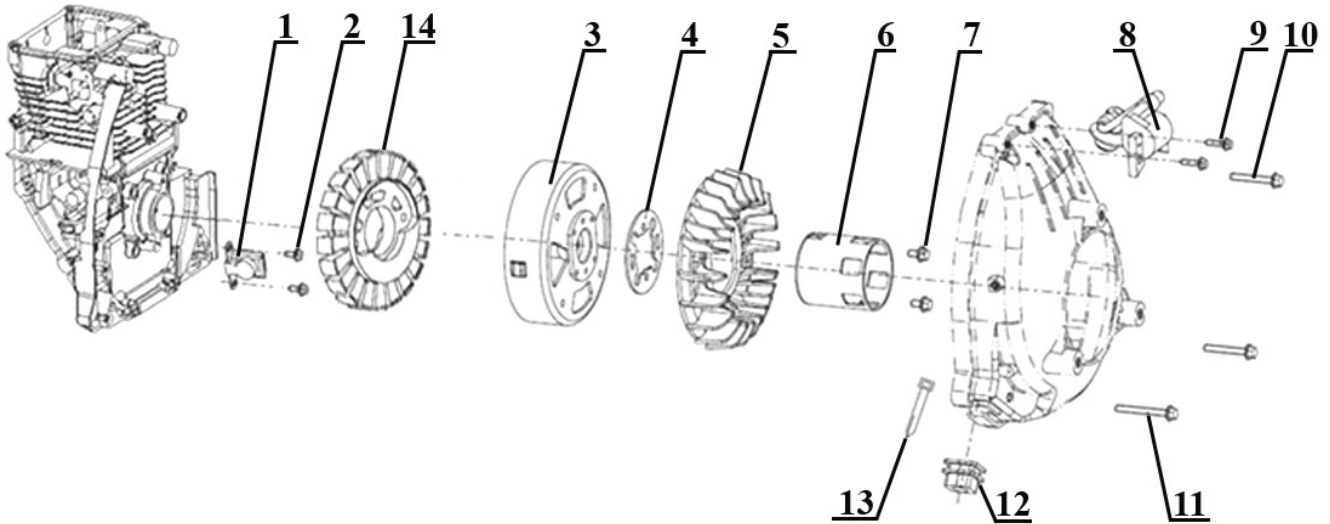
Item	Part No.	Description
1	G2000I.A8-1	PLASTIC COVER, RIGHT
2	G2000I.A8-2	BOLT
3	G2000I.A8-3	BOLT
4	G2000I.A8-4	COVER ASS'Y
5	G2000I.A8-5	BOLT
6	G2000I.A8-6	DOWN BRACKET ASS'Y

Item	Part No.	Description
7	G2000I.A8-7	PIPE, RUBBER
8	G2000I.A8-8	BOLT
9	G2000I.A8-9	PLASTIC COVER, LEFT
10	G2000I.A8-10	SEALING STRIP
11	G1050I.A6-11	REPAIR WASHER M5x16 BLACK

NOTE: It is our policy to continually improve products and as such we reserve the right to alter data, specifications and component parts without prior notice.

IMPORTANT: No liability is accepted for incorrect use of product.

WARRANTY: Guarantee is 12 months from purchase date, proof of which will be required for any claim.



Item	Part No.	Description
1	G2000I.A9-1	TRIGGER ASS'Y
2	G2000I.A9-2	BOLT
3	G2000I.A9-3	ROTOR ASS'Y
4	G2000I.A9-4	GASKET
5	G2000I.A9-5	FAN
6	G2000I.A9-6	RATCHET WHEEL
7	G2000I.A9-7	BOLT

Item	Part No.	Description
8	G2000I.A9-8	IGNITION ASS'Y
9	G2000I.A9-9	BOLT
10	G2000I.A9-10	BOLT
11	G2000I.A9-11	BOLT
12	G2000I.A9-12	SET, RUBBBER
13	G2000I.A9-13	STRIP
14	G2000I.A9-14	STATOR WINDING

NOTE: It is our policy to continually improve products and as such we reserve the right to alter data, specifications and component parts without prior notice.

IMPORTANT: No liability is accepted for incorrect use of product.

WARRANTY: Guarantee is 12 months from purchase date, proof of which will be required for any claim.