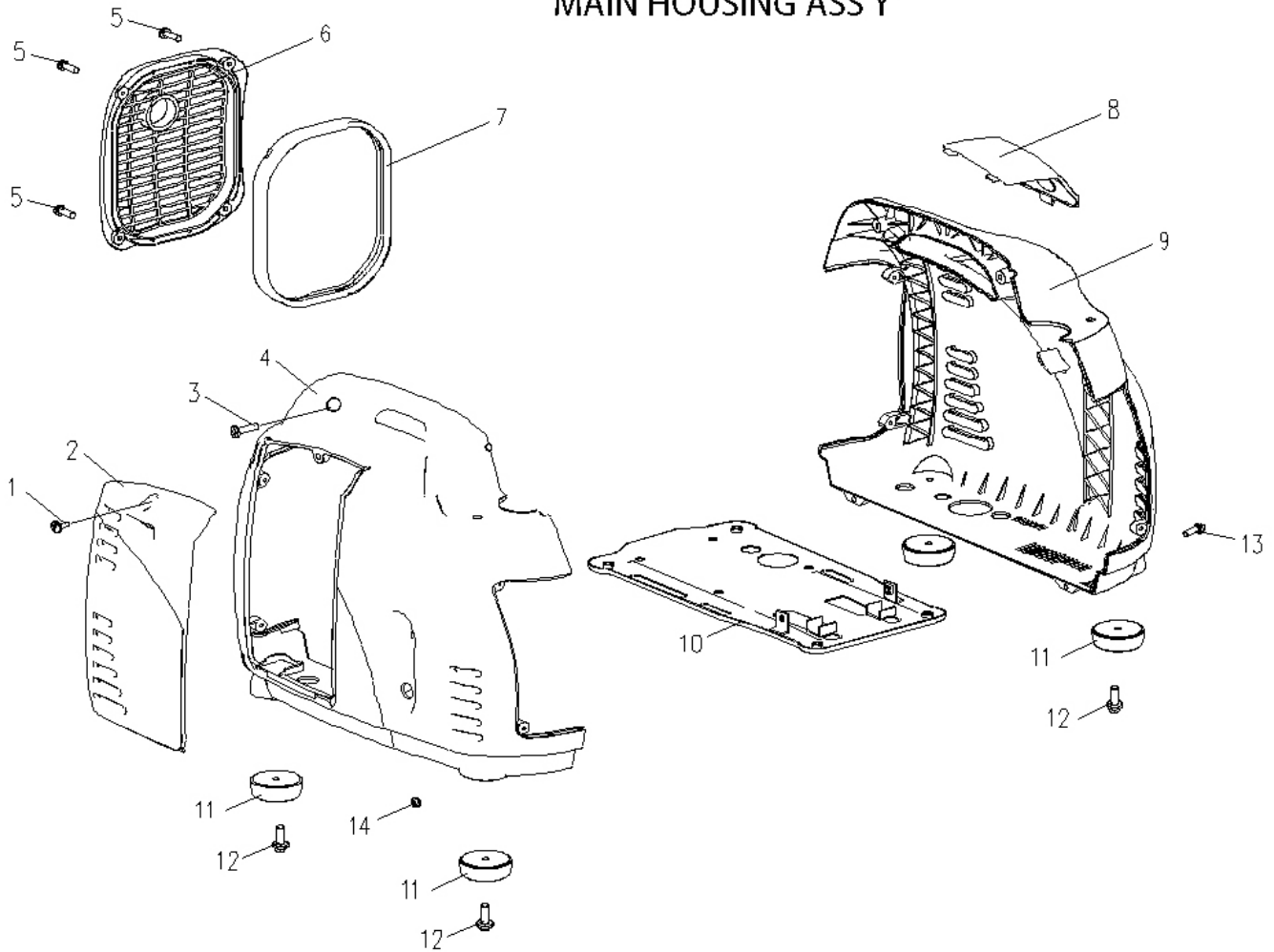


MAIN HOUSING ASS'Y



Item	Part No.	Description
1	MSP612.SB	MACHINE SCREW PAN HEAD PHILLIPS M6x12mm
2	G1000EV4-P2	SIDE PLATE, LEFT
3	MSP620.SB	MACHINE SCREW PAN HEAD PHILLIPS M6x20mm
4	G1000EV4-P4	COVER, LEFT SIDE
5	MSP512.SB	MACHINE SCREW PAN HEAD PHILLIPS M5x12mm
6	G1000EV4-P6	MUFFLER COVER

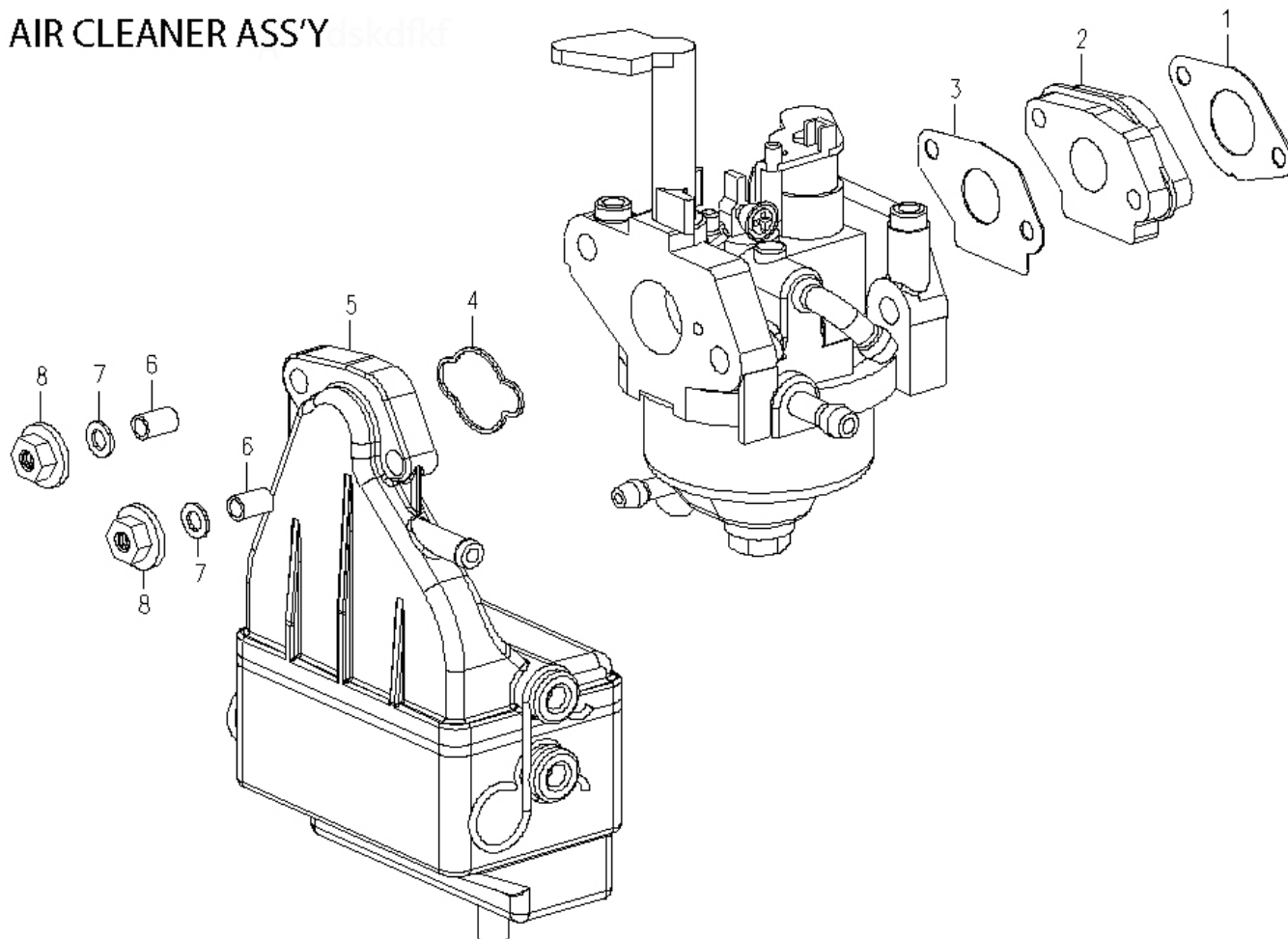
Item	Part No.	Description
7	G1000EV4-P7	MUFFLER COVER SEAL
8	G1000EV4-P8	SIDE PLATE, RIGHT
9	G1000EV4-P9	COVER, RIGHT SIDE
10	G1000EV4-P10	BASE
11	G1000EV4-P11	RUBBER FOOT
12	SFS616.S	HEX HEAD FLANGE BOLT M6x16 SINGLE
13	MSP516.SB	MACHINE SCREW PAN HEAD BLACK M5x16mm
14	SN5.SB	STEEL NUT M5 BLACK (SINGLE)

NOTE: It is our policy to continually improve products and as such we reserve the right to alter data, specifications and component parts without prior notice.

IMPORTANT: No liability is accepted for incorrect use of product.

WARRANTY: Guarantee is 12 months from purchase date, proof of which will be required for any claim.

AIR CLEANER ASS'Y



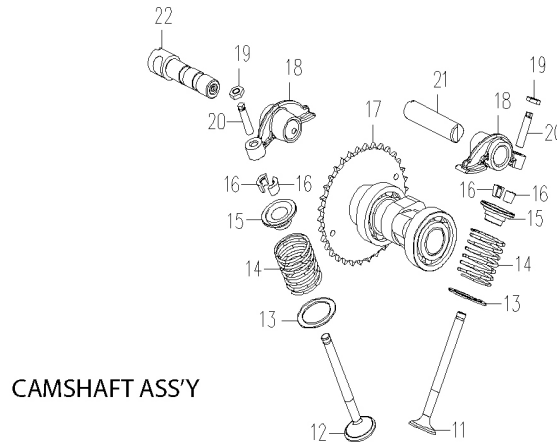
Item	Part No.	Description
1	G1000EV4-AC1	INSULATION GASKET
2	G1000EV4-AC2	INSULATOR
3	G1000EV4-AC3	CARBURETOR GASKET
4	G1000EV4-AC4	AIR FILTER SEAL
5	G1000EV4-AC5	AIR FILTER

Item	Part No.	Description
6	G1000EV4-AC6	BUSHING
7	FWM5.S	FLAT WASHER M5 SINGLE
8	SN5.S	STEEL NUT M5 ZINC DIN934 (SINGLE)
--	G1000EV4-CA1	CARBURETOR (NOT SHOWN)

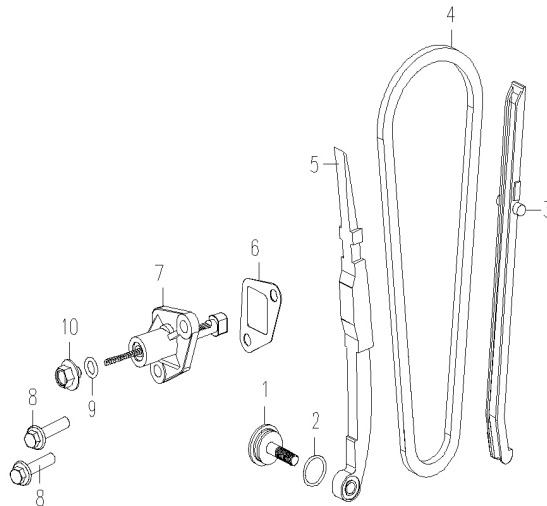
NOTE: It is our policy to continually improve products and as such we reserve the right to alter data, specifications and component parts without prior notice.

IMPORTANT: No liability is accepted for incorrect use of product.

WARRANTY: Guarantee is 12 months from purchase date, proof of which will be required for any claim.



CAMSHAFT ASS'Y



Item	Part No.	Description
1	G1000EV4-C1	TENSION ROD BOLT
2	G1000EV4-C2	O-RING 15.2x1.5
3	G1000EV4-C3	CHAIN GUIDE
4	G1000EV4-C4	CAMSHAFT CHAIN 6.35x82
5	G1000EV4-C5	TENSION ROD ASS'Y
6	G1000EV4-C6	CHAIN ADJUSTER GASKET
7	G1000EV4-C7	CHAIN ADJUSTER
8	SFS618.S	HEX HEAD FLANGE BOLT M6x18 SINGLE
9	G1000EV4-C9	WASHER 8mm
10	G1000EV4-C10	ADJUSTMENT
11	G1000EV4-C11	EXHAUST VALVE

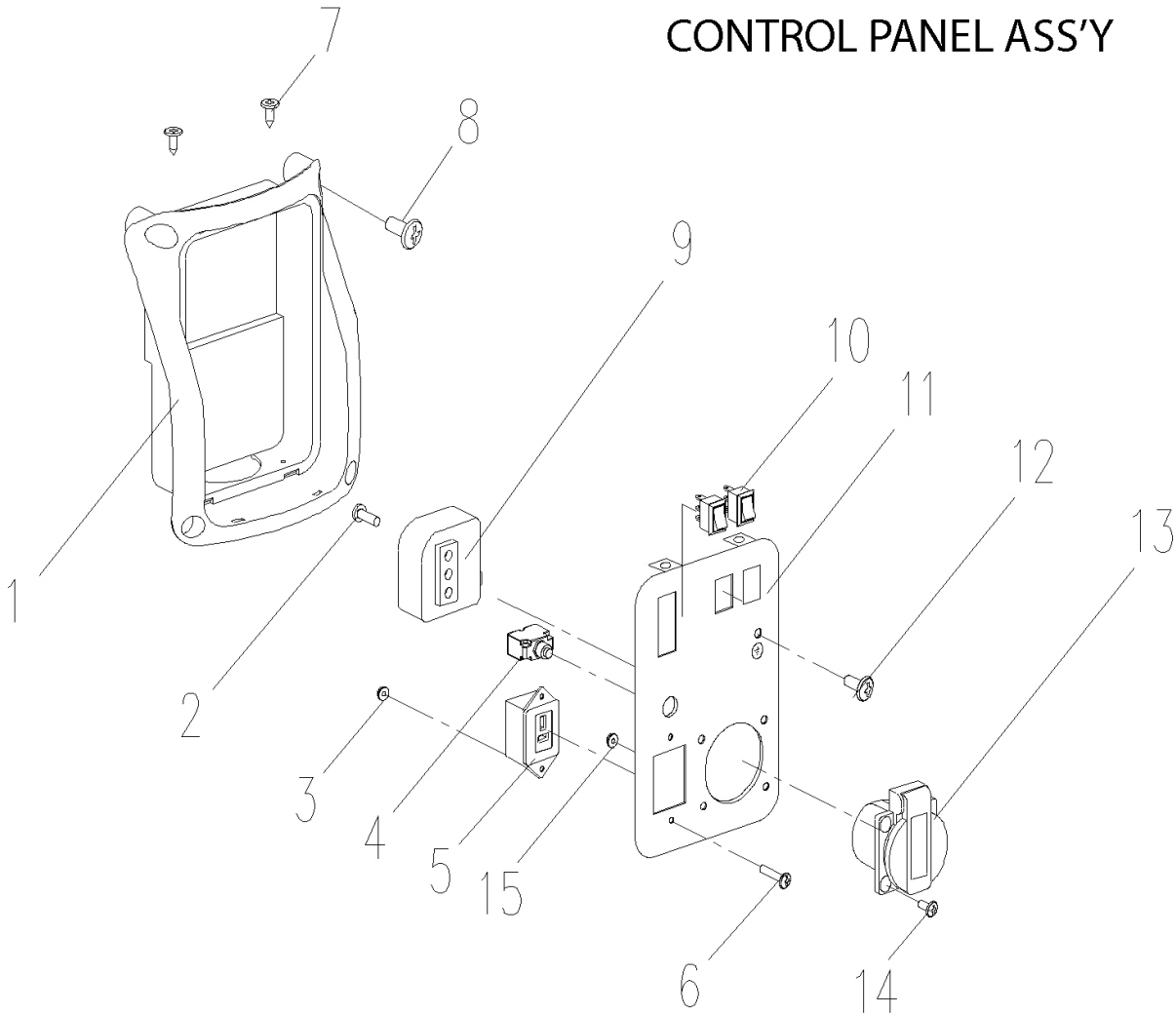
Item	Part No.	Description
12	G1000EV4-C12	INTAKE VALVE
13	G1000EV4-C13	VALVE SPRING RETAINER
14	G1000EV4-C14	VALVE SPRING
15	G1000EV4-C15	VALVE SPRING SEAT
16	G1000EV4-C16	AIR LOCK
17	G1000EV4-C17	CAMSHAFT
18	G1000EV4-C18	VALVE ROCKER
19	G1000EV4-C19	LOCK NUT
20	G1000EV4-C20	ADJUSTMENT SCREW
21	G1000EV4-C21	EXHAUST VALVE ROCKER SHAFT
22	G1000EV4-C22	INTAKE VALVE ROCKER SHAFT

NOTE: It is our policy to continually improve products and as such we reserve the right to alter data, specifications and component parts without prior notice.

IMPORTANT: No liability is accepted for incorrect use of product.

WARRANTY: Guarantee is 12 months from purchase date, proof of which will be required for any claim.

CONTROL PANEL ASS'Y



Item	Part No.	Description
1	G1000EV4-CP1	PANEL COVER
2	G1000EV4-CP2	SCREW M5x16
3	SN3.S	STEEL NUT M3 ZINC DIN934 (SINGLE)
4	G1000EV4-CP4	OVERLOAD PROTECTION 4.5A
5	G1000EV4-CP5	CHARGING SOCKET (T-DC)
6	G1000EV4-CP6	SCREW M3x16
7	G1000EV4-CP7	RD HEAD S/T SCREW M4.2 X 13 BLACK
8	MSP512.SB	MACHINE SCREW PAN HEAD PHILLIPS M5x12mm

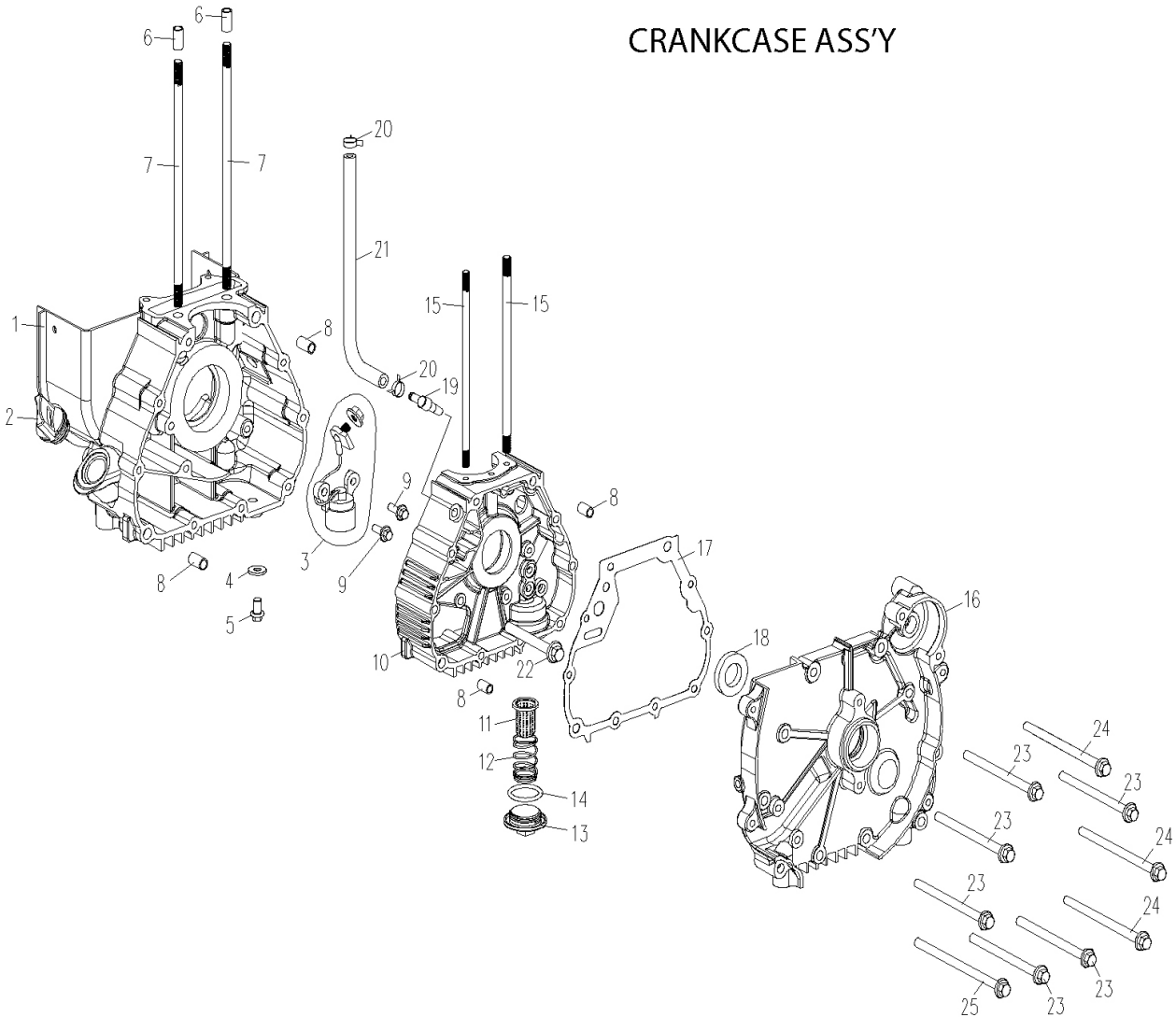
Item	Part No.	Description
9	G1000EV4-CP9	IGNITION CONTROLLER
10	G1000EV4-CP10	ROCKER SWITCH
11	G1000EV4-CP11	PANEL BOARD
12	G1000EV4-CP12	SCREW M5x12
13	G1000EV4-CP13	SOCKET (3-PIN)
14	MSP412.SB	MACHINE SCREW PAN HEAD PHILLIPS M4x12mm
15	SN4.S	STEEL NUT M4 ZINC DIN934 (SINGLE)

NOTE: It is our policy to continually improve products and as such we reserve the right to alter data, specifications and component parts without prior notice.

IMPORTANT: No liability is accepted for incorrect use of product.

WARRANTY: Guarantee is 12 months from purchase date, proof of which will be required for any claim.

CRANKCASE ASS'Y



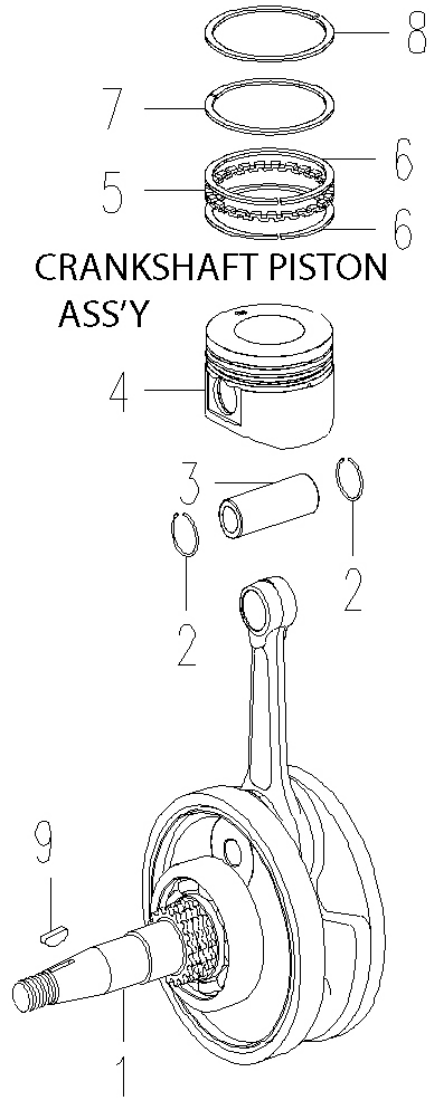
Item	Part No.	Description
1	G1000EV4-CC1	LEFT BOX
2	G1000EV4-CC2	OIL PLUG
3	G1000EV4-CC3	OIL LEVEL SENSOR
4	FWM6.S	FLAT WASHER M6 SINGLE
5	SFS812.S	HEX HEAD FLANGE BOLT M8x12 SINGLE
6	G1000EV4-CC6	LOCATING PIN 8x14
7	G1000EV4-CC7	STUD BOLT M7x176.5
8	G1000EV4-CC8	LOCATING PIN 8x14
9	SFS618.S	HEX HEAD FLANGE BOLT M6x18 SINGLE
10	G1000EV4-CC10	CRANKCASE
11	G1000EV4-CC11	OIL FILTER
12	G1000EV4-CC12	SPRING
13	G1000EV4-CC13	OIL FILTER CAP

Item	Part No.	Description
14	G1000EV4-CC14	O-RING 30.5x3
15	G1000EV4-CC15	STUD BOLT 7x168
16	G1000EV4-CC16	CRANKCASE COVER, RIGHT
17	G1000EV4-CC17	CRANKCASE GASKET
18	G1000EV4-CC18	OIL SEAL 16.4x30x5
19	G1000EV4-CC19	PIPE JOINT
20	G1000EV4-CC20	HOSE CLAMP
21	G1000EV4-CC21	PIPE
22	G1000EV4-CC22	HEX BOLT WITH FLANGE M6x52
23	G1000EV4-CC23	HEX BOLT WITH FLANGE M6x85
24	G1000EV4-CC24	HEX BOLT WITH FLANGE M6x95
25	G1000EV4-CC25	HEX BOLT WITH FLANGE M6x105

NOTE: It is our policy to continually improve products and as such we reserve the right to alter data, specifications and component parts without prior notice.

IMPORTANT: No liability is accepted for incorrect use of product.

WARRANTY: Guarantee is 12 months from purchase date, proof of which will be required for any claim.



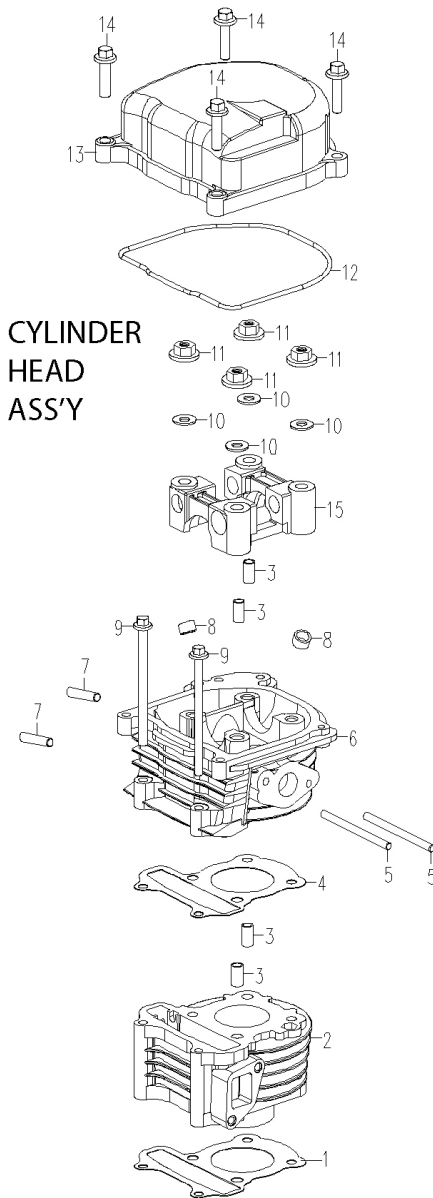
Item	Part No.	Description
1	G1000EV4-CR1	CRANKSHAFT CONNECTING ROD
2	G1000EV4-CR2	PISTON CLIP CIRCLIP
3	G1000EV4-CR3	PISTON PIN
4	G1000EV4-CR4	PISTON
5	G1000EV4-CR5	OIL RING

Item	Part No.	Description
6	G1000EV4-CR6	OIL RING RETAINING RING
7	G1000EV4-CR7	SEALING PISTON RING
8	G1000EV4-CR8	PISTON RING
9	G1000EV4-CR9	WOODRUFF KEY

NOTE: It is our policy to continually improve products and as such we reserve the right to alter data, specifications and component parts without prior notice.

IMPORTANT: No liability is accepted for incorrect use of product.

WARRANTY: Guarantee is 12 months from purchase date, proof of which will be required for any claim.



Item	Part No.	Description
1	G1000EV4-CH1	CYLINDER GASKET
2	G1000EV4-CH2	CYLINDER BLOCK
3	G1000EV4-CH3	LOCATING PIN 8x14
4	G1000EV4-CH4	CYLINDER HEAD GASKET
5	G1000EV4-CH5	DOUBLE END STUD M5x97
6	G1000EV4-CH6	CYLINDER HEAD
7	G1000EV4-CH7	DOUBLE END STUD M6x32
8	G1000EV4-CH8	VALVE STEM SEAL

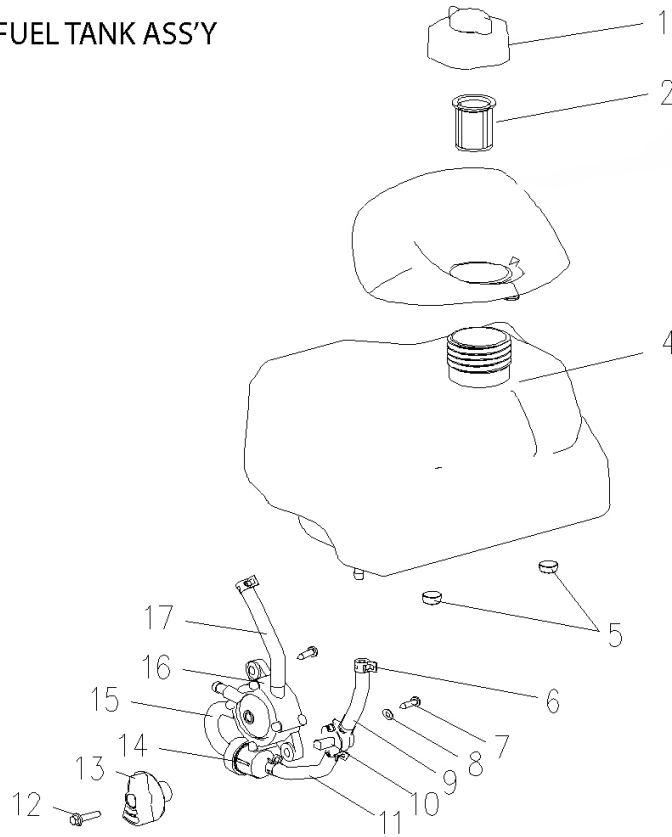
Item	Part No.	Description
9	SFS618.S	HEX HEAD FLANGE BOLT M6x18 SINGLE
10	G1000EV4-CH10	COPPER WASHER 7mm
11	G1000EV4-CH11	HEX FLANGE NUT M7
12	G1000EV4-CH12	CYLINDER HEAD COVER SEAL
13	G1000EV4-CH13	CYLINDER HEAD
14	SFS625.S	HEX HEAD FLANGE BOLT M6x25 SINGLE
15	G1000EV4-CH15	CAMSHAFT HOLDER

NOTE: It is our policy to continually improve products and as such we reserve the right to alter data, specifications and component parts without prior notice.

IMPORTANT: No liability is accepted for incorrect use of product.

WARRANTY: Guarantee is 12 months from purchase date, proof of which will be required for any claim.

FUEL TANK ASS'Y



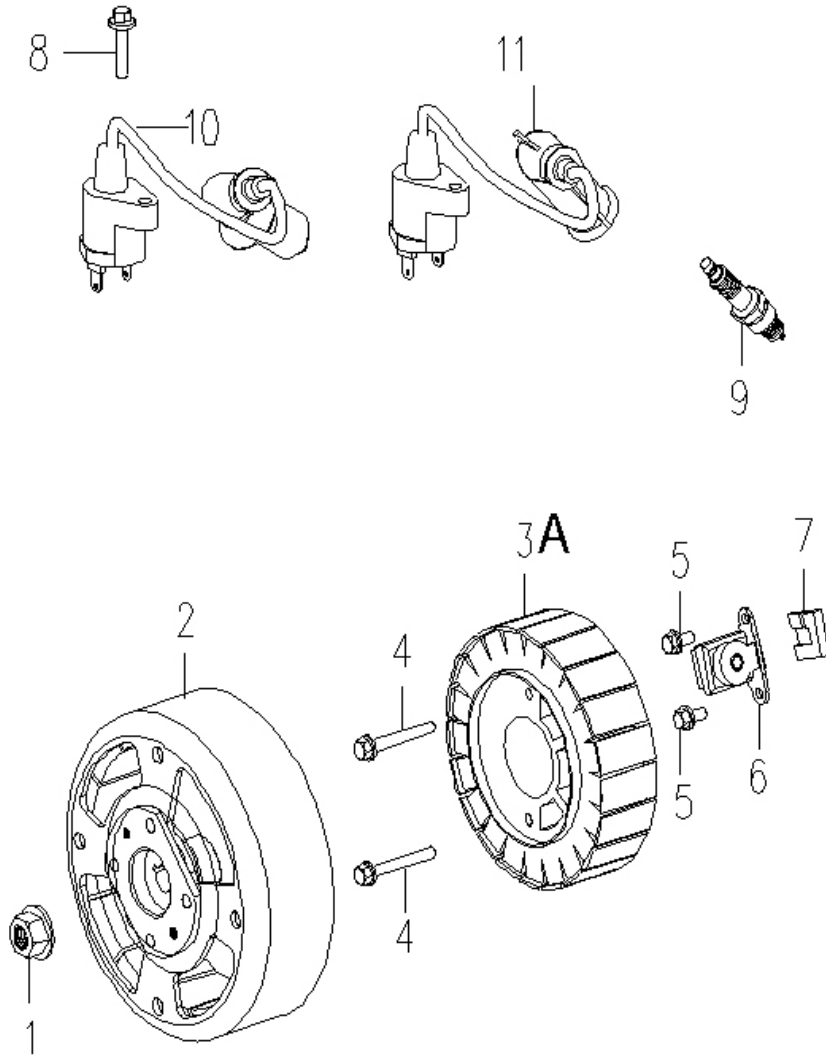
Item	Part No.	Description	Item	Part No.	Description
1	G1000EV4-FT1	FUEL TANK CAP	10	G1000EV4-FT10	OIL SWITCH
2	G1000EV4-FT2	FUEL TANK FILTER	11	G1000EV4-FT11	FUEL PIPE
4	G1000EV4-FT4	FUEL TANK	12	G1000EV4-FT12	SCREW M4x16
5	G1000EV4-FT5	FUEL TANK PAD	13	G1000EV4-FT13	OIL SWITCH HANDLE
6	G1000EV4-FT6	CLAMP	14	G1000EV4-FT14	OIL FILTER ASS'Y
7	G1000EV4-FT7	RD HEAD S/T SCREW M4 X 18 BLACK	15	G1000EV4-FT15	FUEL PIPE
8	G1000EV4-FT8	WASHER 4mm	16	G1000EV4-FT16	FUEL PUMP
9	G1000EV4-FT9	FUEL PIPE	17	G1000EV4-FT17	FUEL PUMP PIPE

NOTE: It is our policy to continually improve products and as such we reserve the right to alter data, specifications and component parts without prior notice.

IMPORTANT: No liability is accepted for incorrect use of product.

WARRANTY: Guarantee is 12 months from purchase date, proof of which will be required for any claim.

FUEL TANK ASS'Y 2



Item	Part No.	Description
1	G1000EV4-GE1	HEX NUT WITH FLANGE M10x 1.25
2	G1000EV4-GE2	ROTOR
3A	G1000EV4-GE3A	STATOR 1.4KW 220V 580HZ
4	G1000EV4-GE4	HEX BOLT WITH FLANGE M6x30
5	SFS512.S	HEX HEAD FLANGE BOLT M5x12 SINGLE
6	G1000EV4-GE6	TRIGGER

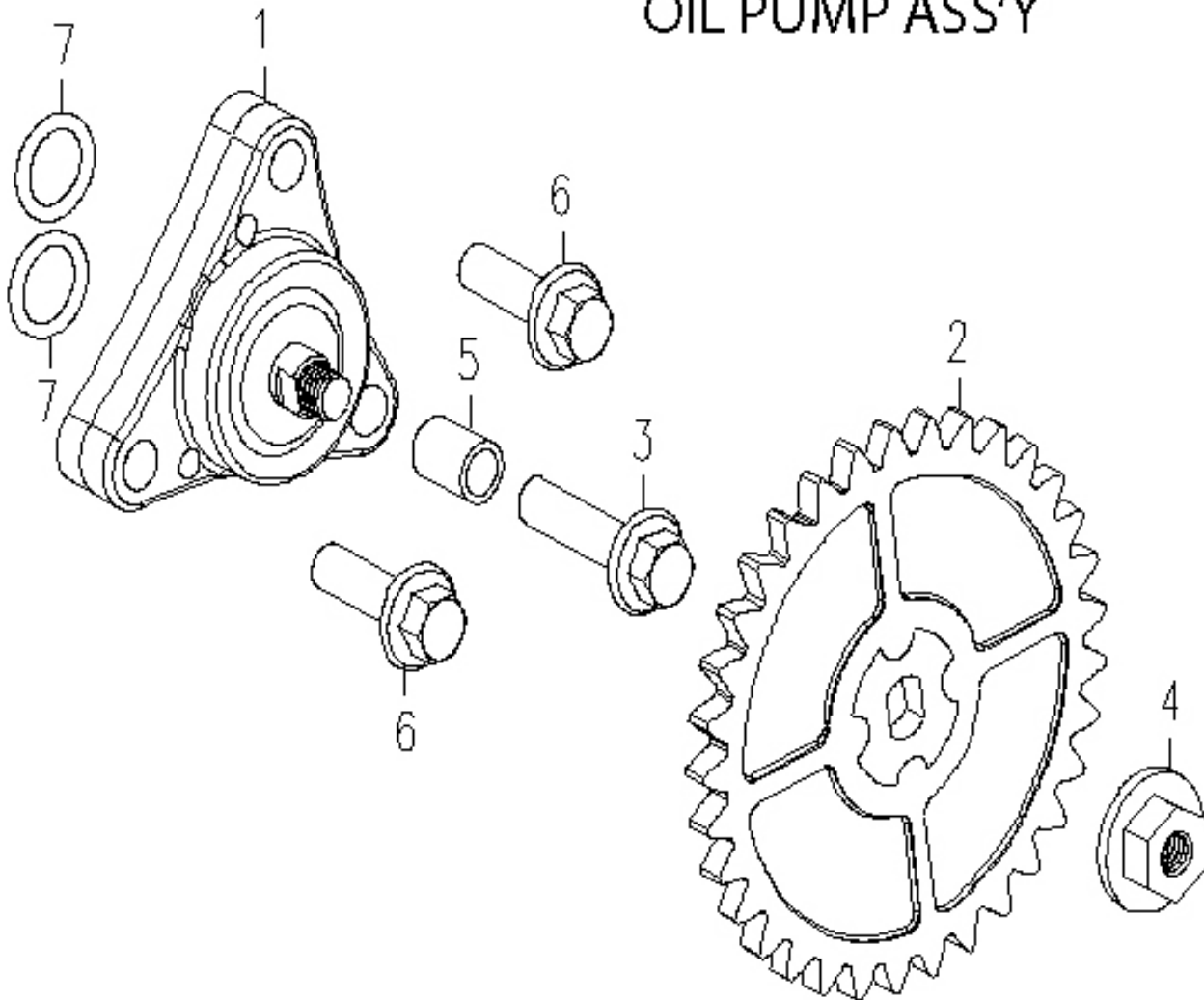
Item	Part No.	Description
7	G1000EV4-GE7	RUBBER BLOCK
8	G1000EV4-GE8	HEX BOLT WITH FLANGE M6x25
9	G1000EV4-GE9	SPARK PLUG A7RTC
10	G1000EV4-GE10	POWER LEAD
11	G1000EV4-GE11	POWER LEAD

NOTE: It is our policy to continually improve products and as such we reserve the right to alter data, specifications and component parts without prior notice.

IMPORTANT: No liability is accepted for incorrect use of product.

WARRANTY: Guarantee is 12 months from purchase date, proof of which will be required for any claim.

OIL PUMP ASS'Y



Item	Part No.	Description
1	G1000EV4-OP1	OIL PUMP
2	G1000EV4-OP2	OIL PUMP GEAR
3	G1000EV4-OP3	HEX BOLT WITH FLANGE M6x25
4	FN6.S	FLANGE NUT SERRATED M6 ZINC (SINGLE)

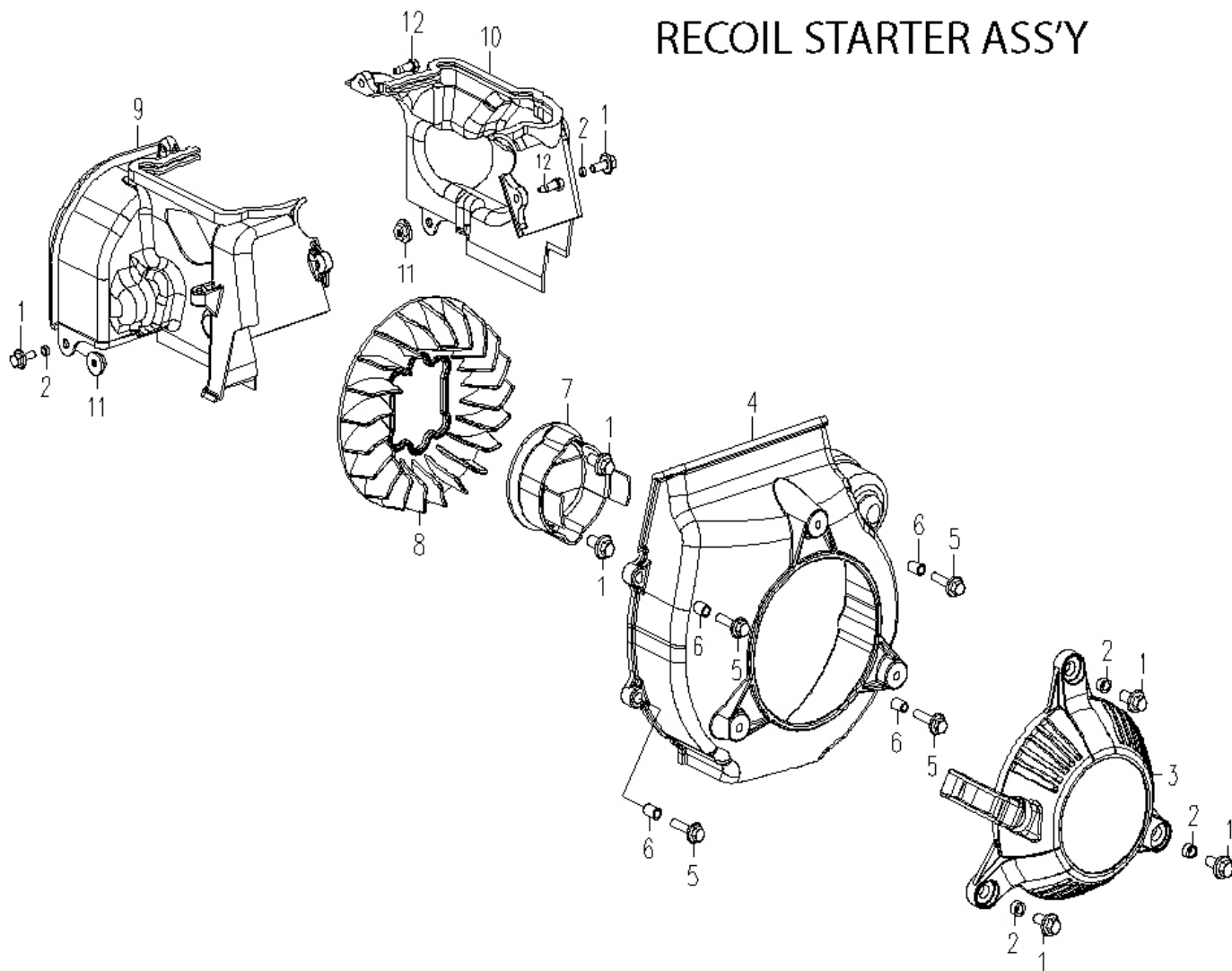
Item	Part No.	Description
5	G1000EV4-OP5	LOCATING PIN 8x11
6	SFS620.S	HEX HEAD FLANGE BOLT M6x20 SINGLE
7	G1000EV4-OP7	O-RING 9x1.6

NOTE: It is our policy to continually improve products and as such we reserve the right to alter data, specifications and component parts without prior notice.

IMPORTANT: No liability is accepted for incorrect use of product.

WARRANTY: Guarantee is 12 months from purchase date, proof of which will be required for any claim.

RECOIL STARTER ASS'Y



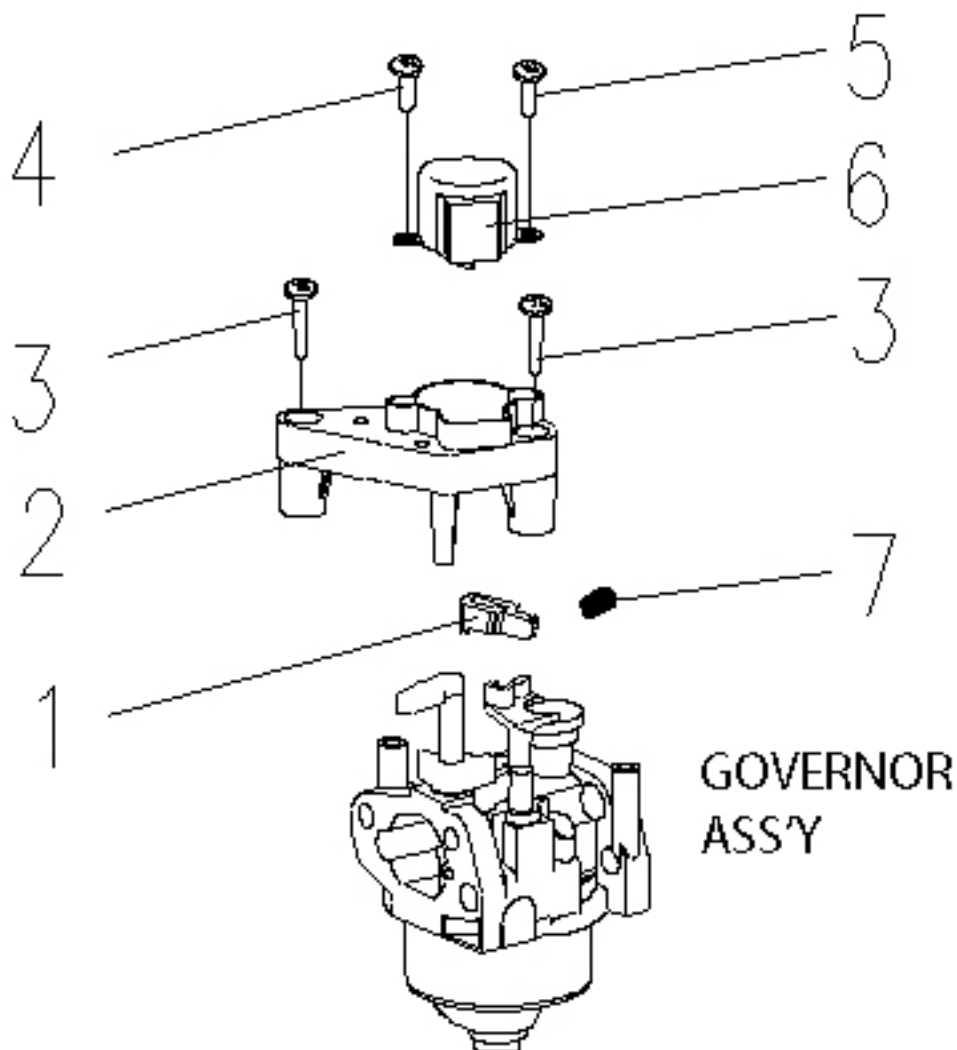
Item	Part No.	Description
1	SFS612.S	HEX HEAD FLANGE BOLT M6x12 SINGLE
2	G1000EV4-RS2	BUSHING
3	G1000EV4-RS3	STARTING COVER
4	G1000EV4-RS4	AIR GUIDE COVER
5	G1000EV4-RS5	HEX FLANGE BOLT M5x22
6	G1000EV4-RS6	BUSHING

Item	Part No.	Description
7	G1000EV4-RS7	STARTING BASE
8	G1000EV4-RS8	COOLING FAN
9	G1000EV4-RS9	COVER B
10	G1000EV4-RS10	COVER A
11	FN5.S	FLANGE NUT SERRATED M5 ZINC (SINGLE)
12	G1000EV4-RS12	RD HEAD S/T SCREW M4.8 X 15 BLACK

NOTE: It is our policy to continually improve products and as such we reserve the right to alter data, specifications and component parts without prior notice.

IMPORTANT: No liability is accepted for incorrect use of product.

WARRANTY: Guarantee is 12 months from purchase date, proof of which will be required for any claim.



Item	Part No.	Description
1	G1000EV4-GO1	DRIVE ARM
2	G1000EV4-GO2	MOTOR BRACKET
3	G1000EV4-GO3	SCREW M4x16
4	G1000EV4-GO4	SCREW M3x10

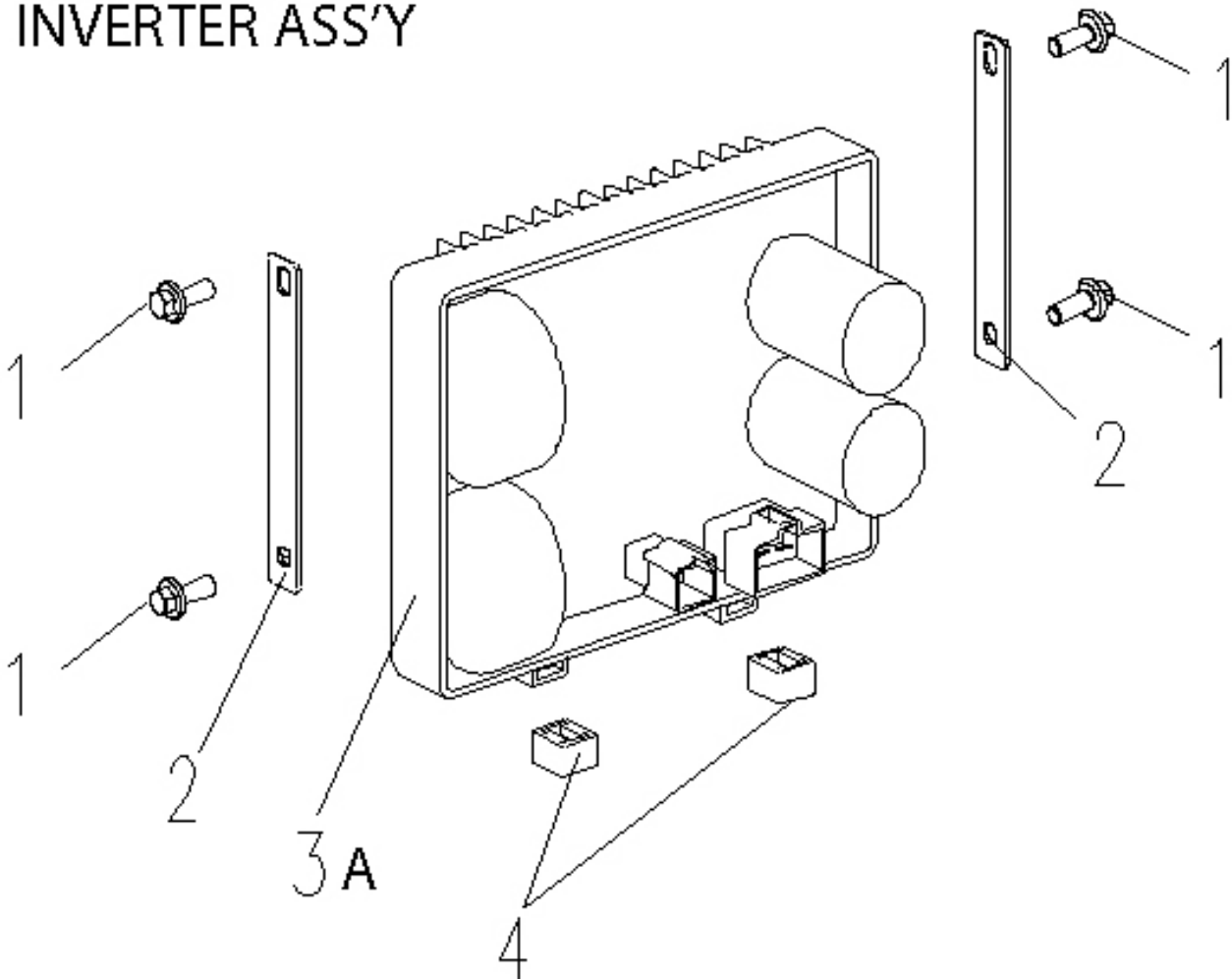
Item	Part No.	Description
5	G1000EV4-GO5	SCREW M3x6
6	G1000EV4-GO6	STEPPED MOTOR ASS'Y
7	G1000EV4-GO7	ACTUATOR ARM SPRING

NOTE: It is our policy to continually improve products and as such we reserve the right to alter data, specifications and component parts without prior notice.

IMPORTANT: No liability is accepted for incorrect use of product.

WARRANTY: Guarantee is 12 months from purchase date, proof of which will be required for any claim.

INVERTER ASS'Y



Item	Part No.	Description
1	SFS612.S	HEX HEAD FLANGE BOLT M6x12 SINGLE
2	G1000EV4-IN2	INVERTER BRACKET

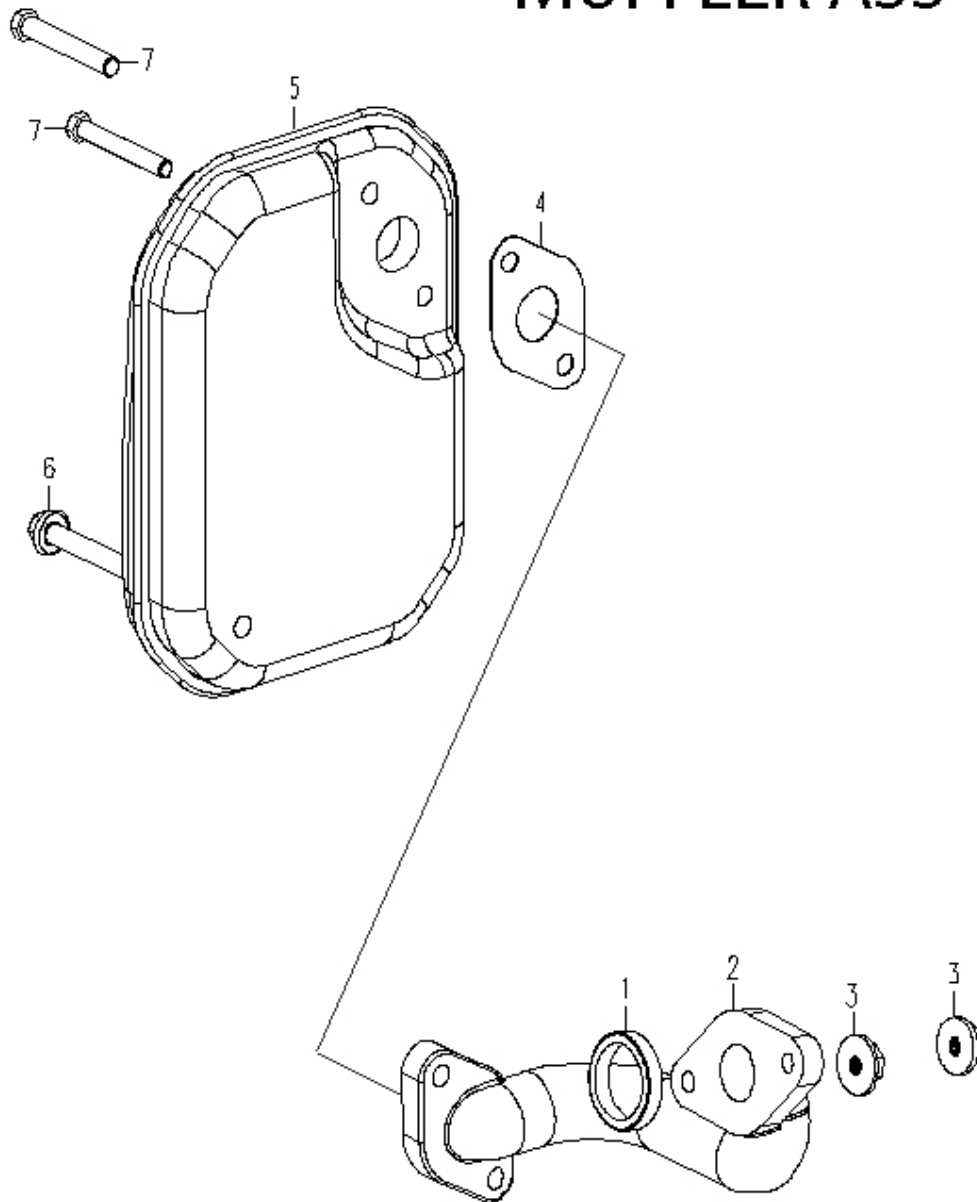
Item	Part No.	Description
3A	G1000EV4-IN3A	INVERTER ASS'Y 1.2KW 240V 50Hz
4	G1000EV4-IN4	INVERTER SUPPORT

NOTE: It is our policy to continually improve products and as such we reserve the right to alter data, specifications and component parts without prior notice.

IMPORTANT: No liability is accepted for incorrect use of product.

WARRANTY: Guarantee is 12 months from purchase date, proof of which will be required for any claim.

MUFFLER ASS'Y



Item	Part No.	Description
1	G1000EV4-M1	MUFFLER ELBOW GASKET
2	G1000EV4-M2	MUFFLER ELBOW
3	FN6.S	FLANGE NUT SERRATED M6 ZINC (SINGLE)
4	G1000EV4-M4	MUFFLER GASKET

Item	Part No.	Description
5	G1000EV4-M5	MUFFLER
6	HHB670.S	HEX HEAD BOLT M6x70mm SINGLE
7	G1000EV4-M7	HEX HEAD BOLT M6X45(ZINC YELLOW)

NOTE: It is our policy to continually improve products and as such we reserve the right to alter data, specifications and component parts without prior notice.

IMPORTANT: No liability is accepted for incorrect use of product.

WARRANTY: Guarantee is 12 months from purchase date, proof of which will be required for any claim.