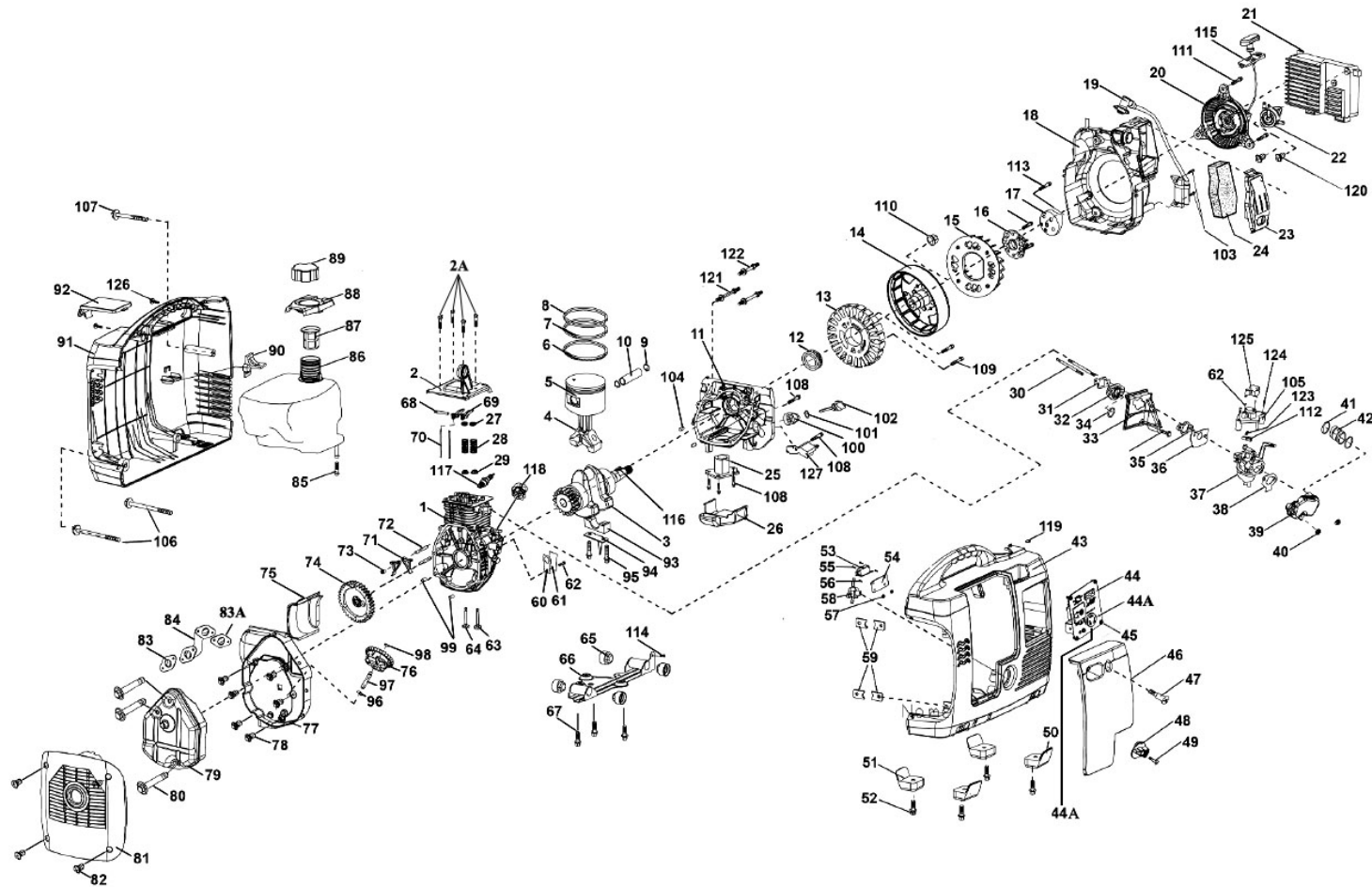




Parts Information:
Generator Inverter 1000W 230V
Model No: G1000E.V2



NOTE: It is our policy to continually improve products and as such we reserve the right to alter data, specifications and component parts without prior notice.

IMPORTANT: No liability is accepted for incorrect use of product.

WARRANTY: Guarantee is 12 months from purchase date, proof of which will be required for any claim.

Sealey Group, Kempson Way, Suffolk Business Park, Bury St Edmunds, Suffolk. IP32 7AR



01284 757500



01284 703534



sales@sealey.co.uk



www.sealey.co.uk



Parts Information:
Generator Inverter 1000W 230V
Model No: G1000E.V2

Item	Part No.	Description
1	G1000E.V2-01	Crankcase
2	G1000E.V2-02	Cylinder Head
2A	G1000E.V2-02A	Cylinder Head Bolt
3	G1000E.V2-03	Crank Assembly
4	G1000E.V2-04	Con Rod Ass'y
5	G1000E.V2-05	Piston
6	G1000E.V2-06	Oil Ring Assembly
7	G1000E.V2-07	Piston Ring No.1
8	G1000E.V2-08	Piston Ring No.2
9	G1000E.V2-09	Piston Circlip (Pair)
10	G1000E.V2-10	Piston Pin
11	G1000E.V2-11	Crankcase Cover
12	G1000E.V2-12	Oil Seal
13	G1000E.V2-13	Stator
14	G1000E.V2-14	Rotor
15	G1000E.V2-15	Fan
16	G1000E.V2-16	Coupling
17	G1000E.V2-17	Coupling
18	G1000E.V2-18	Air Guide Cover
19	G1000E.V2-19	T.C.I
20	G1000E.V2-20	Starter Assembly
21	G1000E.V2-21	Inverter Assembly
22	G1000E.V2-22	Fuel Pump Assembly
23	G1000E.V2-23	Air Filter Element
24	G1000E.V2-24	Air Element
25	G1000E.V2-25	Low Oil Protection
26	G1000E.V2-26	Cover
27	G1000E.V2-27	Valve Spring Seat
28	G1000E.V2-28	Valve Spring
29	G1000E.V2-29	Valve Seal
30	G1000E.V2-30	Thread Bar (m5x90)
31	G1000E.V2-31	Inlet Port Seal
32	G1000E.V2-32	Insulating Gasket
33	G1000E.V2-33	Anti-Air Plate
34	G1000E.V2-34	O-Ring
35	G1000E.V2-35	Insulating Gasket
36	G1000E.V2-36	Insulating Seal
37	G1000E.V2-37	Carburettor
38	G1000E.V2-38	Carburettor Gasket
39	G1000E.V2-39	Air Filter Connection Pipe
40	FN6.S	Flange Nut Serrated m6 Zinc (Single)
41	G1000E.V2-41	Air Filter Pipe Clip
42	G1000E.V2-42	Air Filter Pipe

Item	Part No.	Description
43	G1000E.V2-43	Front Cover Assembly Yellow
44	G1000E.V2-44	Panel (Electrics)
44A	G1000E.V2-44A	Plug Socket
45	G1000E.V2-45	Phillips Bolt m5x8
46	G1000E.V2-46	Cover
47	G1000E.V2-47	Bolt m6x12
48	G1000E.FVA	Fuel Valve Ass'y
49	MSP416.S	Machine Screw Pan Head Phillips m4x16mm (Single)
50	G1000E.V2-50	Anti-Vibration Foot
51	G1000E.V2-51	Vibration Absorber
52	G1000E.V2-113	Flange Bolt m6x12
53	G1000E.V2-53	Switch
54	G1000E.V2-54	Switch Seat
55	G1000E.V2-55	Bolt 3x16
56	G1000E.V2-56	Bolt st3.2x9
57	SN3.S	Steel Nut m3 Zinc din934 (Single)
58	G1000E.V2-58	Fuel Cock
59	G1000E.V2-59	Nut
60	G1000E.V2-60	Valve
61	G1000E.V2-61	Intake Valve
62	G1000E.V2-62	Bolt 3x5mm
63	G1000E.V2-63	Intake Valve
64	G1000E.V2-64	Exhaust Valve
65	G1000E.V2-65	Rubber Sleeve
66	G1000E.V2-66	Bracket
67	G1000E.V2-67	Bolt m6
68	G1000E.V2-68	Rocker Arm Pin
69	G1000E.V2-69	Rocker Arm
70	G1000E.V2-70	Tappet
71	G1000E.V2-71	Fork
72	G1000E.V2-72	Pin
73	G1000E.V2-73	Fork Sleeve
74	G1000E.V2-74	Camshaft Assembly
75	G1000E.V2-75	Anti-Air Plate
76	G1000E.V2-76	Speed Adjuster
77	G1000E.V2-77	Gearbox Cover
78	G1000E.V2-78	Bolt 5x20mm
79	G1000E.V2-79	Muffler
80	G1000E.V2-80	Bolt 6x50mm
81	G1000E.V2-81	Muffler Cover
82	G1000E.V2-82	Bolt 5x15mm
83	G1000E.V2-83	Muffler Gasket
83A	G1000E.V2.83A	Muffler Gasket

NOTE: It is our policy to continually improve products and as such we reserve the right to alter data, specifications and component parts without prior notice.

IMPORTANT: No liability is accepted for incorrect use of product.

WARRANTY: Guarantee is 12 months from purchase date, proof of which will be required for any claim.

Sealey Group, Kempson Way, Suffolk Business Park, Bury St Edmunds, Suffolk. IP32 7AR



01284 757500



01284 703534



sales@sealey.co.uk



www.sealey.co.uk



Parts Information:
Generator Inverter 1000W 230V
Model No: G1000E.V2

Item	Part No.	Description
84	G1000E.V2-84	Muffler Bow
85	G1000E.V2-85	Fuel Filter Net
86	G1000E.V2-86	Fuel Tank
87	G1000E.V2-87	Fuel Tank Cap Filter
88	G1000E.V2-88	Vibration Absorber
89	G1000E.V2-89	Fuel Tank Cap
90	G1000E.V2-90	Vibration Absorber
91	G1000E.V2-91	Back Cover Red
92	G1000E.V2-92	Spark Plug Cover
93	G1000E.V2-93	Con.Rod Cap
94	G1000E.V2-94	Oil Slinger
95	G1000E.V2-95	Con. Rod Bolt
96	G1000E.V2-96	Washer
97	G1000E.V2-97	Shaft
98	G1000E.V2-98	Snap Ring
99	G1000E.V2-99	Gearbox Dowel Pin
100	G1000E.V2-100	Lubrication Oil Port
101	G1000E.V2-101	Rubber Washer
102	G1000E.V2-102	Lubrication Oil Ruler
103	G1000E.V2-103	Flange Bolt m5x25 st4
104	G1000E.V2-104	Dowel Pin
105	G1000E.V2-105	Dynamo
106	G1000E.V2-106	Flange Bolt m6x105

Item	Part No.	Description
107	G1000E.V2-107	Flange m6x80
108	G1000E.V2-108	Flange Bolt m5x12
109	SFS520.S	Hex Head Flange Bolt m5x20 Single
110	FN10.S	Flange Nut Serrated m10 Zinc (Single)
111	SFS612.S	Hex Head Flange Bolt m6x12 Single
112	G1000E.V2-112	Carb Adjustment Rod
113	G1000E.V2-113	Flange Bolt m6x12
114	G1000E.V2-114	Phillips Bolt m5x12
115	G1000E.V2-115	Recoil Starter
116	G1000E.V2-116	Key
117	G1000E.V2-117	Spark Plug
118	G1000E.V2-118	Filter Net
119	G1000E.V2-119	Locker
120	G1000E.V2-120	Phillips Bolt m5x8
121	G1000E.V2-121	Bolt
122	G1000E.V2-122	Bolt m5x86
123	G1000E.V2-123	Adjusting Spring
124	G1000E.V2-124	Phillips Bolt m4x8
125	G1000E.V2-125	Dynamo Cover
126	G1000E.V2-126	Bolt 6x20mm
127	G1000E.V2-127	Sensor
--	G1000E.V2-TK	Tool Kit (NOT SHOWN)

NOTE: It is our policy to continually improve products and as such we reserve the right to alter data, specifications and component parts without prior notice.

IMPORTANT: No liability is accepted for incorrect use of product.

WARRANTY: Guarantee is 12 months from purchase date, proof of which will be required for any claim.

Sealey Group, Kempson Way, Suffolk Business Park, Bury St Edmunds, Suffolk. IP32 7AR



01284 757500



01284 703534



sales@sealey.co.uk



www.sealey.co.uk