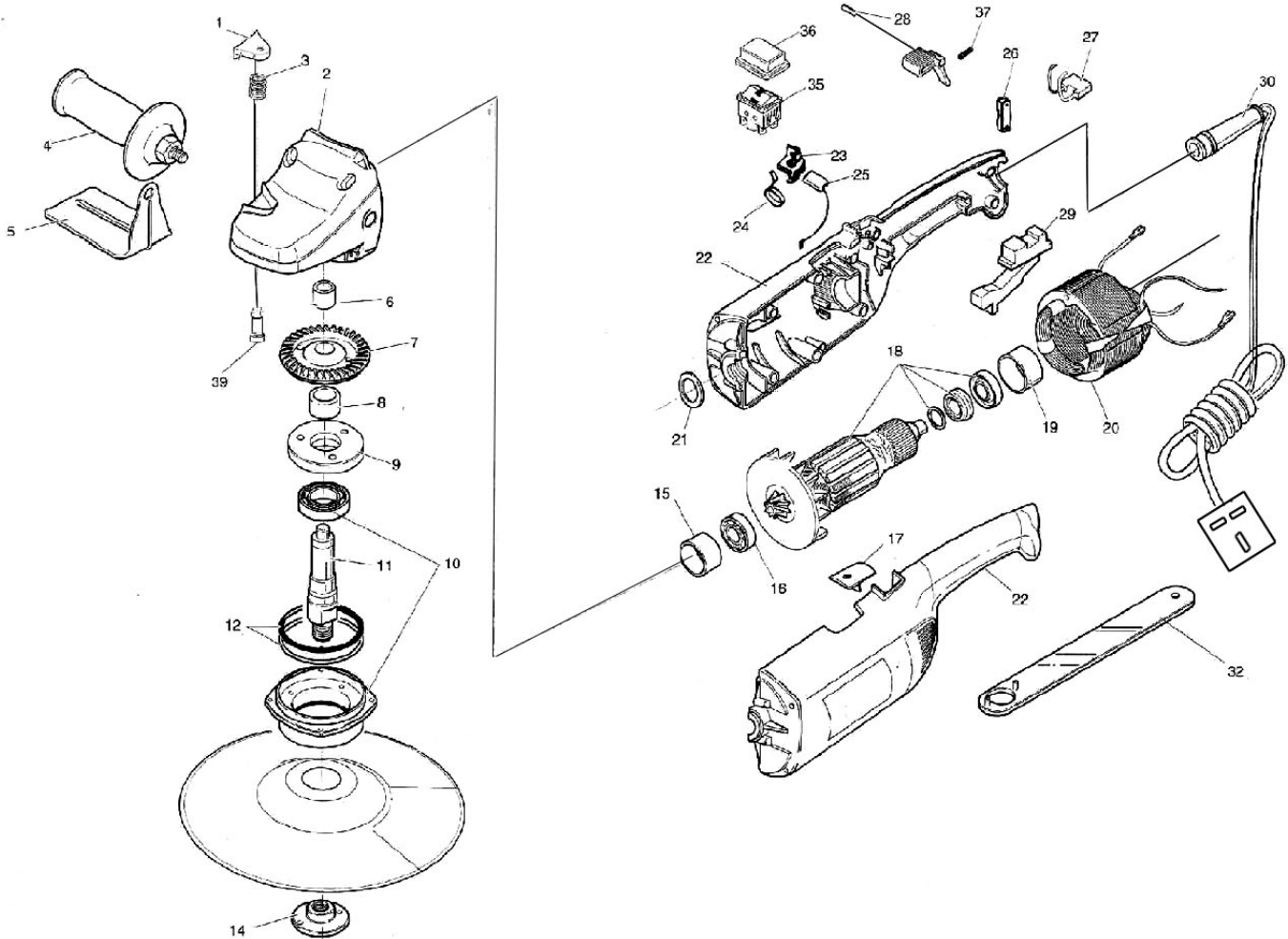




Parts Information:  
**Sander/Polisher 170mm 1200W/230V**  
**2-Speed Heavy-Duty**  
**Model No: ER2000P.V3**



Item	Part No.	Description
1	126.500000147	SPINDLE LOCK BUTTON
2	126.500000148	FRONT CASING
3	126.500000149	SPRING
4	126.500000150	SIDE HANDLE
5	126.500000151	HAND GUARD
6	126.500000152	ROLLER BEARING
7	126.500000153	BEVEL GEAR
8	126.500000154	SPACER
9	126.500000155	BEARING HOLDER
10	126.500000156	GEAR BOX COVER WITH BEARING
11	126.500000157	GEAR SHAFT
12	126.500000158	SPACERS
14	126.500000556	PAD NUT,M14
15	126.500000159	BEARING COVER
16	B/6201ZZ	BEARING 6201ZZ
17	126.500000161	BRUSH COVER
18	126.500000163	ARMATURE,c/w FELT WASHER,RING, BEARING

Item	Part No.	Description
19	126.500000165	ISOLATION BUSH
20	126.500000167	FIELD COIL 230V
21	126.500000169	O-RING
22	126.500000170	CASING BODY COMPLETE
23	126.500000171	BRUSH HOLDER
24	126.500000172	BRUSH CAP
25	126.500000173	CARBON BRUSH (SINGLE)
26	126.500000174	CABLE GRIP
27	126.500000175	CONDENSER 22uf 275vac 2.5x1.5
28	126.500000176	PIN
29	126.500000177	SWITCH
30	126.500000178	CABLE SLEEVE
32	126.500000180	SPANNER
35	126.500000183	2-SPEED SWITCH
36	332/763609001	PLASTIC COVER FOR SWITCH
37	126.500000185	SPRING
39	126.500000187	LOCKING PIN

**NOTE:** It is our policy to continually improve products and as such we reserve the right to alter data, specifications and component parts without prior notice.

**IMPORTANT:** No liability is accepted for incorrect use of product.

**WARRANTY:** Guarantee is 12 months from purchase date, proof of which will be required for any claim.

Sealey Group, Kempson Way, Suffolk Business Park, Bury St Edmunds, Suffolk. IP32 7AR



01284 757500



01284 703534



sales@sealey.co.uk



www.sealey.co.uk