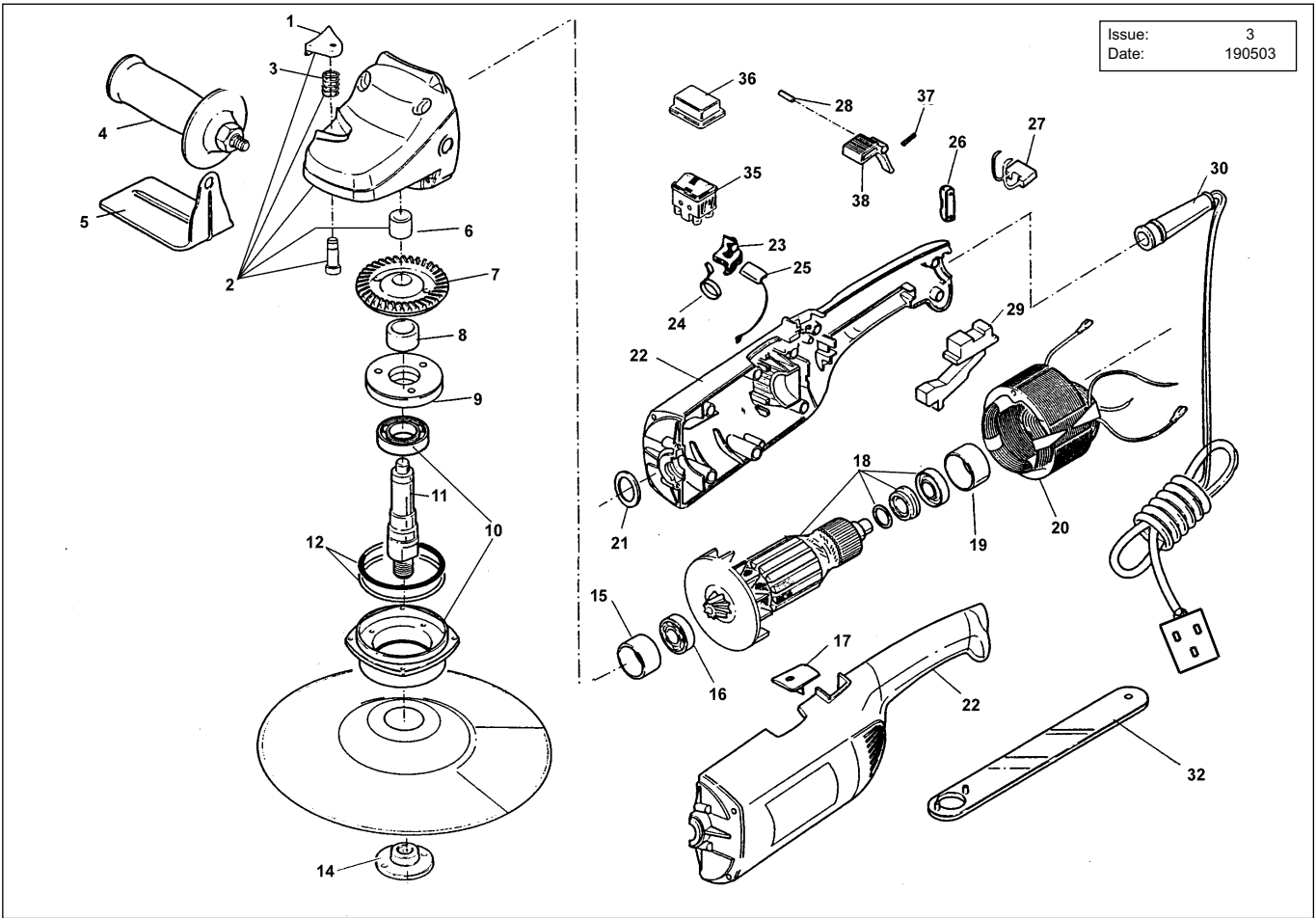


Issue: 3
 Date: 190503



Item	Part No.	Description
1	126-481049.10	Spindle Lock Button
2	126-481049.06	Head (complete with Spindle Lock Button, Spring, Lock Pin and Roller Bearing.
3	126-481049.09	Spring
4	126-481049.08	Side Handle
5	126-481069.00	Hand Guard
6	126-481049.07	Roller Bearing
7	126-481069.01	Bevel Gear
8	126-481069.02	Spacer
9	126-481049.21	Bearing Holder
10	126-481049.03	Gear Box Cover with Bearing
11	126-481049.04	Gear Shaft
12	126-48004200	Spacers, 0.1mm & 0.25mm

Item	Part No.	Description
14	126-481069.03	Pad Nut, M14
15	126-481049.12	Bearing Cover
16	126/481065.07	Bearing
17	126/481069.04	Brush Cover
18	126/400136.00	Armature, 230V complete with Felt Washer, Speed Ring and Bearing - ER1800PD
18	126/400136.01	Armature, 230V complete with Felt Washer, Speed Ring and Bearing - ER2000PD
19	126/480005.02	Isolation Bush
20	126/480030.08	Field Coil, 230V, ER1800PD
20	126/480030.10	Field Coil, 230V, ER2000PD
21	126/481049.22	O-Ring

Item	Part No.	Description
22	126/480041.00	Casing, Red
23	126/481049.02	Brush Holder
24	126-480003.00	Brush Cap
25	126/480002.02	Carbon Brush
26	126-481049.11	Cable Grip
27	126-481064.01	Condenser
28	126/481049.18	Pin, 4x30mm, ER1800PD
29	126-481069.06	Switch
30	126/480004.03	Cable Sleeve
32	126/481049.01	Spanner
35	126-481069.10	2-Speed Switch, ER2000PD
36	126-481069.11	Switch Cover, ER2000PD
37	126-481049.19	Spring, ER1800PD
38	126-481049.20	Switch Lock Button, ER1800PD