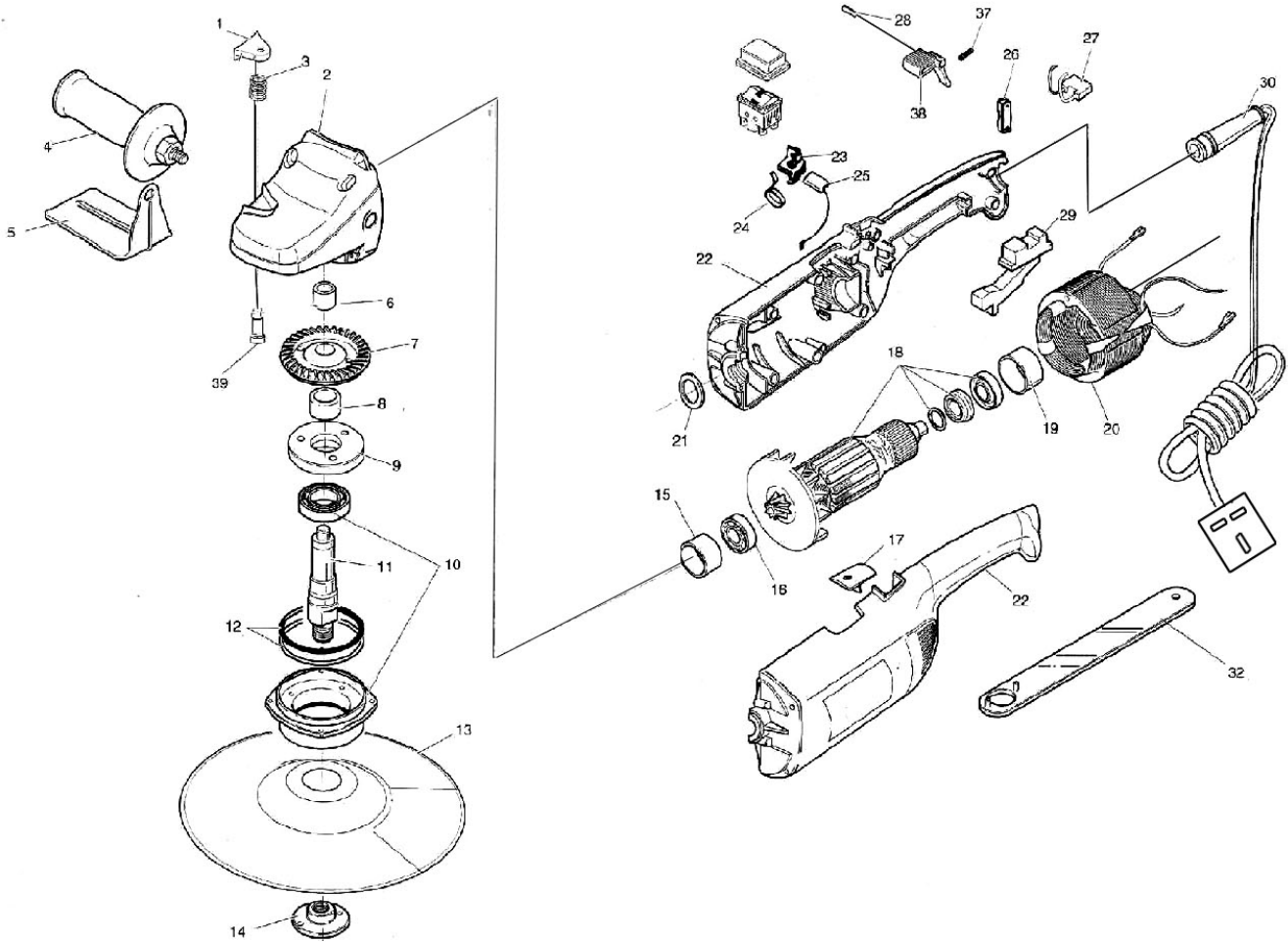


Parts Information:  
**Polisher 170mm 800W/230V Single Speed  
 Heavy-Duty  
 Model No: ER1800P.V3**



| Item | Part No.      | Description                 |
|------|---------------|-----------------------------|
| 1    | 126.500000147 | SPINDLE LOCK BUTTON         |
| 2    | 126.500000148 | FRONT CASING                |
| 3    | 126.500000149 | SPRING                      |
| 4    | 126.500000150 | SIDE HANDLE                 |
| 5    | 126.500000151 | HAND GUARD                  |
| 6    | 126.500000152 | ROLLER BEARING              |
| 7    | 126.500000153 | BEVEL GEAR                  |
| 8    | 126.500000154 | SPACER                      |
| 9    | 126.500000155 | BEARING HOLDER              |
| 10   | 126.500000156 | GEAR BOX COVER WITH BEARING |
| 11   | 126.500000157 | GEAR SHAFT                  |
| 12   | 126.500000158 | SPACERS                     |
| 13   | 126/41609510  | 6-1/2" RUBBER BACKING PAD   |
| 14   | 126.500000556 | PAD NUT,M14                 |
| 15   | 126.500000159 | BEARING COVER               |
| 16   | B/6201ZZ      | BEARING 6201ZZ              |
| 17   | 126.500000161 | BRUSH COVER                 |

| Item | Part No.      | Description                             |
|------|---------------|---|
| 18   | 126.500000162 | ARMATURE,c/w FELT WASHER,RING & BEARING |
| 19   | 126.500000165 | ISOLATION BUSH                          |
| 20   | 126.500000166 | FIELD COIL 230V                         |
| 21   | 126.500000169 | O-RING                                  |
| 22   | 126.500000170 | CASING BODY COMPLETE                    |
| 23   | 126.500000171 | BRUSH HOLDER                            |
| 24   | 126.500000172 | BRUSH CAP                               |
| 25   | 126.500000173 | CARBON BRUSH (SINGLE)                   |
| 26   | 126.500000174 | CABLE GRIP                              |
| 27   | 126.500000175 | CONDENSER 22uf 275vac 2.5x1.5           |
| 28   | 126.500000176 | PIN                                     |
| 29   | 126.500000177 | SWITCH                                  |
| 30   | 126.500000178 | CABLE SLEEVE                            |
| 32   | 126.500000180 | SPANNER                                 |
| 37   | 126.500000185 | SPRING                                  |
| 38   | 126.500000186 | SWITCH LOCK BUTTON                      |
| 39   | 126.500000187 | LOCKING PIN                             |

**NOTE:** It is our policy to continually improve products and as such we reserve the right to alter data, specifications and component parts without prior notice.

**IMPORTANT:** No liability is accepted for incorrect use of product.

**WARRANTY:** Guarantee is 12 months from purchase date, proof of which will be required for any claim.