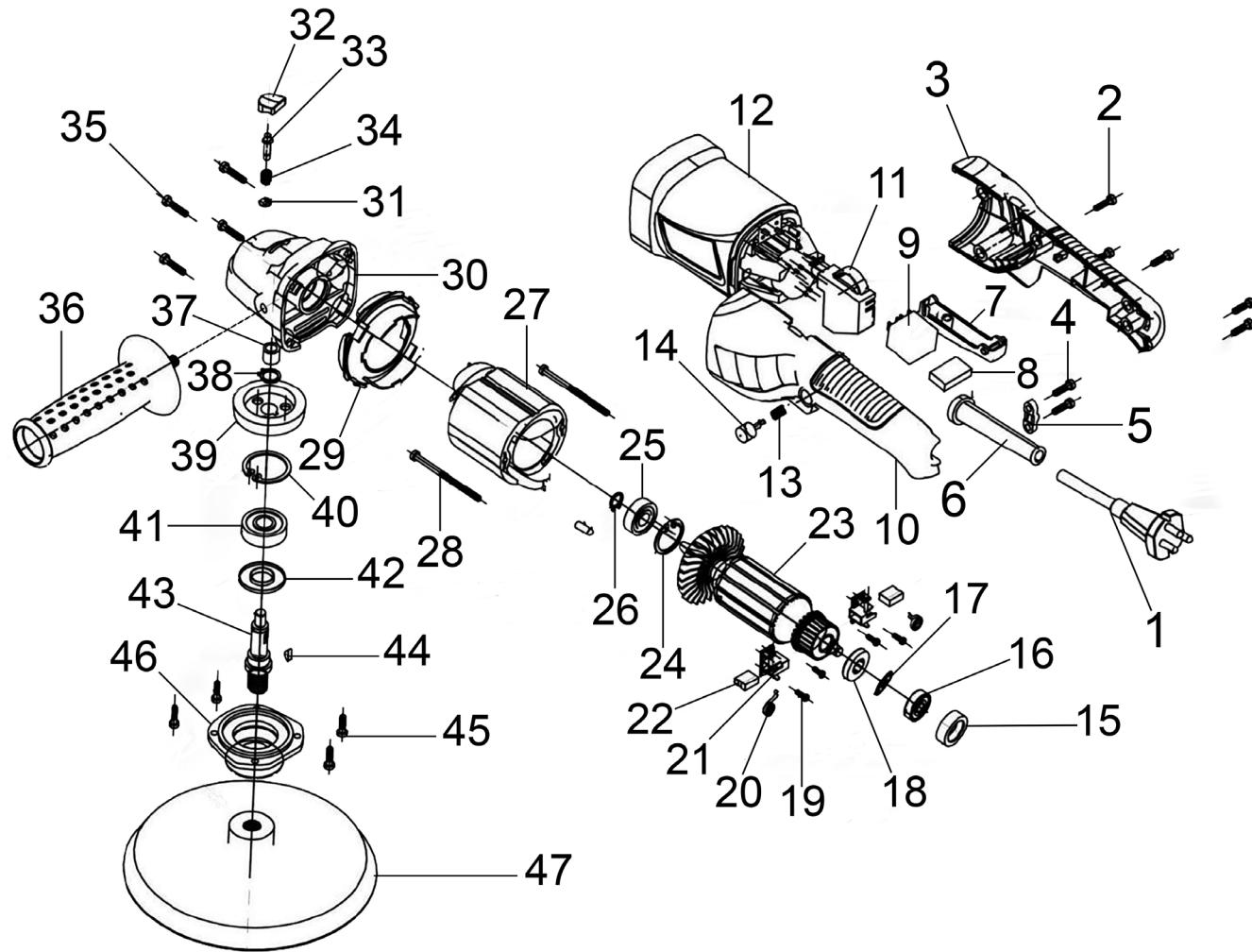




Parts Information:
Polisher Ø180mm 1100W/230V Lightweight
Model No: ER1700P.V4



NOTE: It is our policy to continually improve products and as such we reserve the right to alter data, specifications and component parts without prior notice.

There may be alternative versions of this product, please contact us should you require this information.

IMPORTANT: No liability is accepted for incorrect use of product. Spare parts must be fitted by a competent person

WARRANTY: Guarantee is 12 months from purchase date, proof of which will be required for any claim.

Sealey Group, Kempson Way, Suffolk Business Park, Bury St Edmunds, Suffolk. IP32 7AR



01284 757500



sales@sealey.co.uk



www.sealey.co.uk



Parts Information:
Polisher Ø180mm 1100W/230V Lightweight
Model No: ER1700PV4

Item	Part No.	Description
1	MC2CX1.0	Mains Cable Blk, 2 Core, 1.0mm ²
2	ER1700PV3-02	Screw
3	ER1700PV3-03	Right Handle
4	DAS150TV4-42	Rd Head S/T Screw M4 x 14 Black
5	ER1700PD.03	Cable Clamp
6	ER1700PD.06	Cable Sleeve
7	ER1700PV3-07	Trigger Button for Press Switch (Red)
8	ER1700PV3-08	Capacitance
9	ER1700PV3-09	Switch, Press Button
10	ER1700PV3-10	Left Handle
11	ER1700PV3-11	Speed Regulator
12	ER1700PD.15	Housing
13	ER1700PV3-13	Self-Lock Spring
14	ER1700PV3-14	Self-Lock Button
15	ER1700PD.16	Bearing Holder
16	B/627ZZ	Bearing 627ZZ
17	ER1700PD.48	Bearing Seal
18	ER1700PD.18	Magnetic Ring
19	ER1700PV3-19	Screw
20	ER1700PV3-20	Spring
21	ER1700PD.22	Carbon Brush Holder
22	ER1700PD.21	Carbon Brush
23	ER1700PV3-23	Rotor
24	ER1700PD.24	Int Circlip 28.0mm Od.

Item	Part No.	Description
25	B/629-2RS	Bearing 629-2RS
26	ER1700PV3-26	Ext Circlip 8.3mm Id
27	ER1700PD.27	Stator
28	ER1700PD.28	Rd Head S/T Screw M3.8 x 70 Black
29	ER1700PD.29	Air Guide
30	ER1700PD.35	Gear Case
31	ER1700PD.33	E-Clip 4mm Id.
32	ER1700PD.30	Lock Pin Cap
33	ER1700PD.31	Lock Pin
34	ER1700PD.32	Lock Pin Spring Dia 6.75mm
35	ER1700PV3-35	Screw
36	ER1700PD.47	Side Handle
37	B/HK0810	Needle Bearing Hk0810
38	ER1700PV3-26	Ext Circlip 8.3mm Id
39	ER1700PD.38	Gear
40	ER1700PD.39	Int Circlip 32.0mm Od.
41	B/6200-2RS	Bearing 6200-2RS
42	ER1700PD.41	Dust Cover
43	ER1700PD.42	Spindle
44	ER1700PD.43	Key (3x10)
45	ER1700PD.44	Cap Screw
46	ER1700PD.45	Housing Cover
47	ER1700PV3-47	Velcro Backing Pad
--	ER1700PV3-14A	Locking Pin (Not Shown)

NOTE: It is our policy to continually improve products and as such we reserve the right to alter data, specifications and component parts without prior notice. There may be alternative versions of this product, please contact us should you require this information.

IMPORTANT: No liability is accepted for incorrect use of product. Spare parts must be fitted by a competent person

WARRANTY: Guarantee is 12 months from purchase date, proof of which will be required for any claim.

Sealey Group, Kempson Way, Suffolk Business Park, Bury St Edmunds, Suffolk. IP32 7AR



01284 757500



sales@sealey.co.uk



www.sealey.co.uk