

**NOTE:** It is our policy to continually improve products and as such we reserve the right to alter data, specifications and component parts without prior notice.

**IMPORTANT:** No liability is accepted for incorrect use of product.

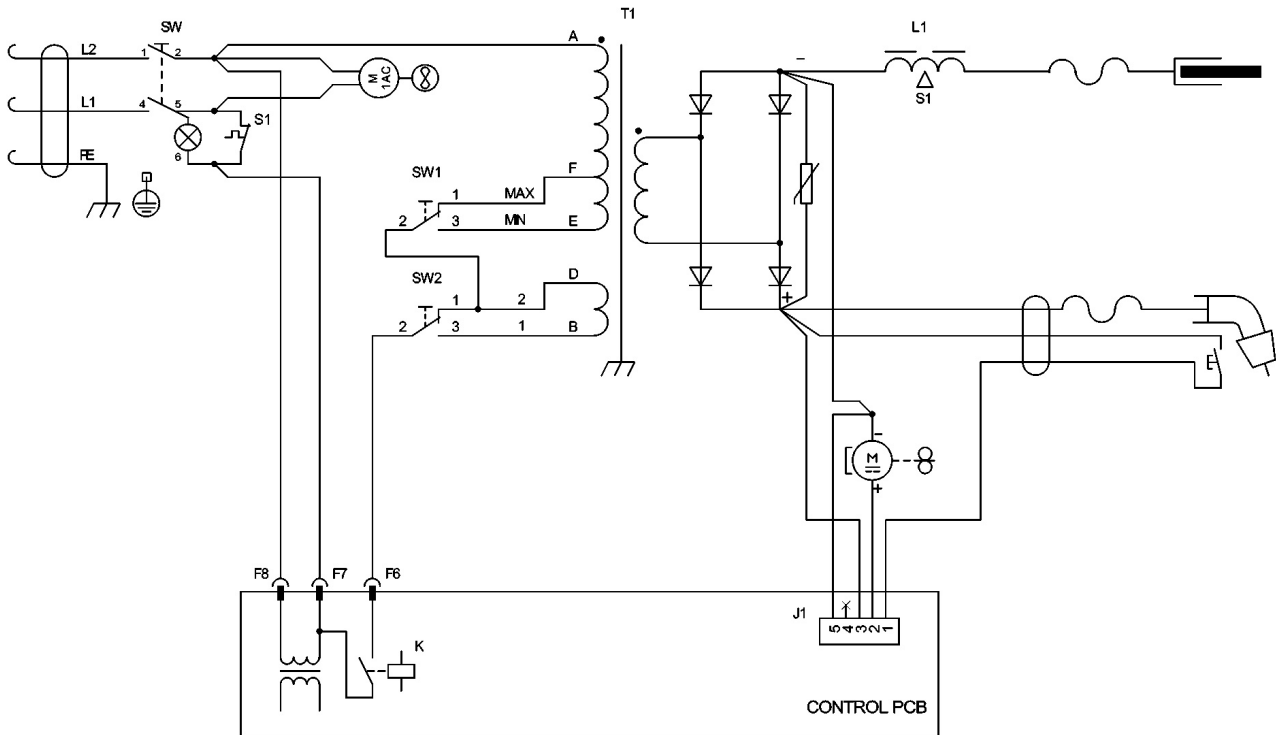
**WARRANTY:** Guarantee is 12 months from purchase date, proof of which will be required for any claim.



Parts Information:  
**MIG Welder 130Amp 230V**  
**Model No: EM130XT.V2**

Item	Part No.	Description
1	120.113386	Potentiometer
2	120.121424	Knob, Potentiometer
3	120/112183	Protection, Rectifier
4	120.990746	Rectifier Kit
5	120.980463	Wire Feed Control Card
6	120/122752	Switch, Rocker Illuminated
7	120/122400	Switch, White Rocker
8	120.121069	Thermostat 15A 250V
9	120/132169	Mains Cable 3g1.5 2.3m
10	120/152080	Motor, Electrofan
11	120/153900	Wire Feed + Torch Fixing Kit
12	120.169247	Reactance
13	120.169293	Transformer 230V
14	B/609Z	Bearing 609Z
15	120/312064	Handle, Carrying
16	120/312025	Blade, Fan
17	120.322112	Bushing
18	120/322126	Casing, Feeder Roller Shaft
19	120/322127	Casing, Torch Fixing
20	120/322128	Bracket, Counter Roller
21	120/322143	Ring Nut, Cable Protection
23	120/322173	Reel Ring Nut
24	120/422257	Knob, Counter Roller Tension

Item	Part No.	Description
25	120/322174	Reel Thumb Screw
26	120/452022	Spring, Counter Roller Tension
27	120/452056	Spring Catch, Door
28	120/452065	Spring, Reel
29	120/644199	Bottle Holder
30	120/644229	Rear Panel
31	120/644230	Diaphragm
32	120/649211	Front Panel
33	120/650135	Cover
34	120.644470	Bottom (Black)
35	120/650208	Door
40	120/120300	Cable 6mmq 1.8M
41	120/742900	Mig Torch 3Mtr
42	120/722019	Feed Roller 0.6-0.8/0.9mm
45	120/712001	Clamp, Earth (Black)
46	120/990097	Guide Hose 2mm x 4mm x 122mm
47	120/990251	Gear Set
48	120/322172	Spindle, 15-50mm
50	120/322104	Belt For Bottle
51	REG/MM	MIG Gas Regulator Disposable Cylinder No Gauge
--	120/802545	Welding Mask (NOT SHOWN)
--	120.712257	Welding Lens (107x51mm Glass) (NOT SHOWN)



**NOTE:** It is our policy to continually improve products and as such we reserve the right to alter data, specifications and component parts without prior notice.

**IMPORTANT:** No liability is accepted for incorrect use of product.

**WARRANTY:** Guarantee is 12 months from purchase date, proof of which will be required for any claim.

Sealey Group, Kempson Way, Suffolk Business Park, Bury St Edmunds, Suffolk. IP32 7AR



01284 757500



01284 703534



sales@sealey.co.uk



www.sealey.co.uk