

**NOTE:** It is our policy to continually improve products and as such we reserve the right to alter data, specifications and component parts without prior notice.

**IMPORTANT:** No liability is accepted for incorrect use of product.

**WARRANTY:** Guarantee is 12 months from purchase date, proof of which will be required for any claim.



Parts Information:  
**MIG Welder 130Amp 230V**  
**Model No: EM130XT**

Item	Part No.	Description
1	120/112363	Potentiometer
2	120.121424	Knob, Potentiometer
3	120/112185	Protection, Rectifier
4	120/112072	Rectifier (PMS-8/2/125)
5	120.980463	Wire Feed Control Card
6	120/122752	Switch, Rocker Illuminated
7	120/122400	Switch, White Rocker
8	120/122525	Thermostat
9	120/132169	Mains Cable 3G1.5 2.3M
10	120/152080	Motor, Electrofan
11	120/153900	Wire Feed + Torch Fixing Kit
12	120/164131	Reactance
13	120/164342	Transformer
14	B/609Z	Bearing 609Z
15	120/312064	Handle, Carrying
16	120/312026	Blade, Fan
17	120.322112	Bushing
18	120/322126	Casing, Feeder Roller Shaft
19	120/322127	Casing, Torch Fixing
20	120/322128	Bracket, Counter Roller
21	120/322143	Ring Nut, Cable Protection
23	120/322173	Reel Ring Nut
24	120/422257	Knob, Counter Roller Tension

Item	Part No.	Description
25	120/322174	Reel Thumb Screw
26	120/452022	Spring, Counter Roller Tension
27	120/452056	Spring Catch, Door
28	120/452065	Spring, Reel
29	120/644199	Bottle Holder
30	120/644229	Rear Panel
31	120/644230	Diaphragm
32	120/649211	Front Panel
33	120/650135	Cover
34	120.644470	Bottom (Black)
35	120/650208	Door
40	120/120300	Cable 6MMQ 1.8M
41	120/742900	Mig Torch 3MTR
42	120/722019	Feed Roller 0.6-0.8/0.9mm
45	120/712001	Clamp, Earth (Black)
46	120/990097	Guide Hose 2mm x 4mm x 122mm
47	120/990251	Gear Set
48	120/322172	Spindle, 15-50mm
49	120/122879	Fuse (Glass T1.6Amp 250V 5x20)
50	120/322104	Belt For Bottle
51	REG/MM	MIG Gas Regulator Disposable Cylinder No Gauge
--	120/802545	Welding Mask (NOT SHOWN)
--	120.712257	Welding Lens (107x51mm Glass) (NOT SHOWN)

**NOTE:** It is our policy to continually improve products and as such we reserve the right to alter data, specifications and component parts without prior notice.

**IMPORTANT:** No liability is accepted for incorrect use of product.

**WARRANTY:** Guarantee is 12 months from purchase date, proof of which will be required for any claim.

**Sealey Group**, Kempson Way, Suffolk Business Park, Bury St Edmunds, Suffolk. IP32 7AR



01284 757500



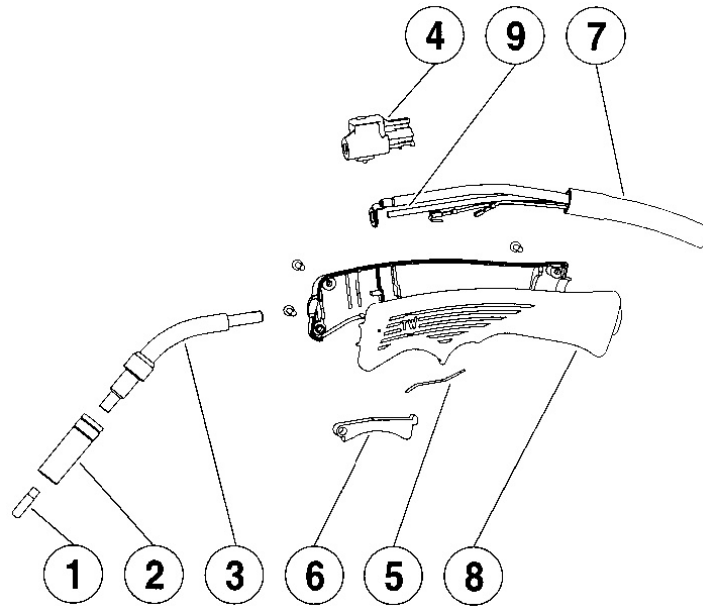
01284 703534



sales@sealey.co.uk

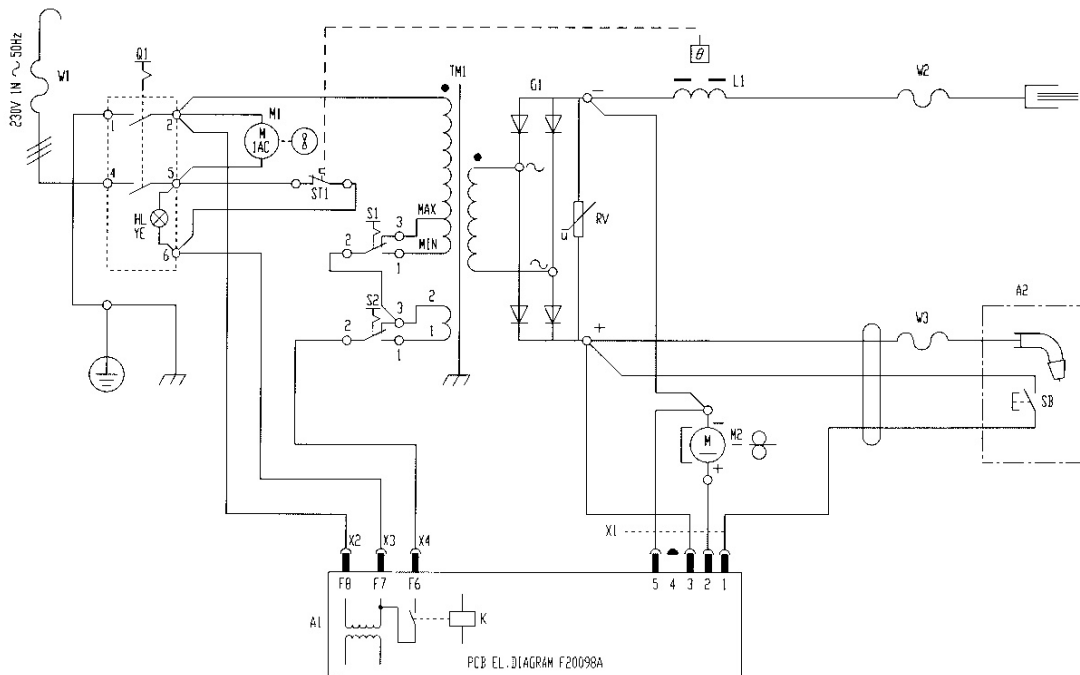


www.sealey.co.uk



Item	Part No.	Description
1	MIG952	Contact Tip 0.8mm TB14 Pack Of 5
2	MIG950	Conical Nozzle TB14 Pack Of 5
3	120/722810	Swan Neck (Mightymig & PM)
4	120/990464	Torch Connection Assembly
5	120/452097	Contact Spring

Item	Part No.	Description
6	120/322295	Pushbutton
7	120/990600	Sleeve With Cable
8	120/990465	Handle, Complete
9	120/742412	Liner, Black, 0.6-0.8mm 2.25M



**NOTE:** It is our policy to continually improve products and as such we reserve the right to alter data, specifications and component parts without prior notice.

**IMPORTANT:** No liability is accepted for incorrect use of product.

**WARRANTY:** Guarantee is 12 months from purchase date, proof of which will be required for any claim.