

**NOTE:** It is our policy to continually improve products and as such we reserve the right to alter data, specifications and component parts without prior notice.

**IMPORTANT:** No liability is accepted for incorrect use of product.

**WARRANTY:** Guarantee is 12 months from purchase date, proof of which will be required for any claim.



Parts Information:  
**Electronic MIG Welder 195Amp 230V**  
**Model No: ELECTROMIG195.V2**

Item	Part No.	Description
1	120/112183	Protection, Rectifier
2	120/112205	Condensator /Capacitor 15000uf 53vdc 1012 110x55.
3	120/112227	Rectifier
4	120/113684	Resistor
5	120/120097	Fuse Cable
6	CC16/1	16mm Copper Cable Per Meter
7	120/121035	Switch
8	120.322900	Switch Knob
9	120/122190	Fuse(Glass T500Mamp 250V 5x20)
10	120/122682	Electro-Valve 24V
11	120/121093	Thermostat
12	120/990026	Knob Kit
13	120/132267	Mains Cable 3g02.50 2.50m
--	120/152054	Blade, Fan (NOT SHOWN)
16	120/152110	Motor, Fan
17	120/152219	Shunt
18	120/153011	Wire Feed Motor
19	120.169371	Reactance
20	120/169122	Auxiliary Transformer
21	120.169297	Transformer
22	B/609Z	Bearing 609Z
23	120/312137	Knob
24	120/312328	Handle
25	120.980662	Front Panel + Card Set
26	120/322081	Spindle, Sleeve/Spacer Type
28	120/322126	Casing, Feeder Roller Shaft
29	120/322127	Casing, Torch Fixing
30	120/322128	Bracket, Counter Roller
31	120/322180	Spacer Collar

Item	Part No.	Description
32	120/322201	Wheel,Fixed (173x16x41)
33	120/322245	Wheel,Fixed (80x9x23)
34	120/322528	Front Panel
35	120/422257	Knob, Counter Roller Tension
36	120/422817	Bracket, Axle
37	120/422820	Bracket, Castor
38	120/432102	Bull Nose Adaptor
39	120/452022	Spring, Counter Roller Tension
40	120/452057	Spring
41	120/644606	Bracket
42	120/644827	Diaphragm
43	120/644828	Back Panel
44	120/644831	Front Panel
45	120/644832	Card Cover
46	120.644961	Bottom (Black)
47	120/655200	Cover
48	120/655201	Door
49	120/681092	Axle, Wheel
50	120/712231	Work Clamp
51	120/722019	Feed Roller 0.6-0.8/0.9mm
53	120/723051	Connection, Torch
54	MIG/T15	MIG Torch 3Mtr Euro Connector TB15
55	120/990097	Guide Hose 2mm x 4mm x 122mm
56	120/990257	Gear Set
57	120/990264	Spindle Kit
58	120/120351	Cable Card/Connector
--	REG/MT	MIG Gas Regulator 2 Gauge Industrial (NOT SHOWN)
--	MIG/SGT15	Spool-On-Gun Torch 6Mtr TB15 (NOT SHOWN)
--	MIG/SGT15/12	Spool-On-Gun Torch 12Mtr TB15 (NOT SHOWN)

**NOTE:** It is our policy to continually improve products and as such we reserve the right to alter data, specifications and component parts without prior notice.

**IMPORTANT:** No liability is accepted for incorrect use of product.

**WARRANTY:** Guarantee is 12 months from purchase date, proof of which will be required for any claim.

**Sealey Group**, Kempson Way, Suffolk Business Park, Bury St Edmunds, Suffolk. IP32 7AR



01284 757500



01284 703534



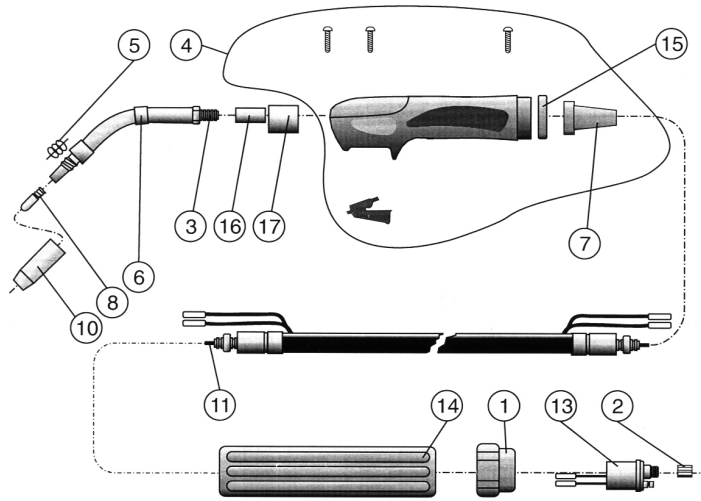
sales@sealey.co.uk



www.sealey.co.uk

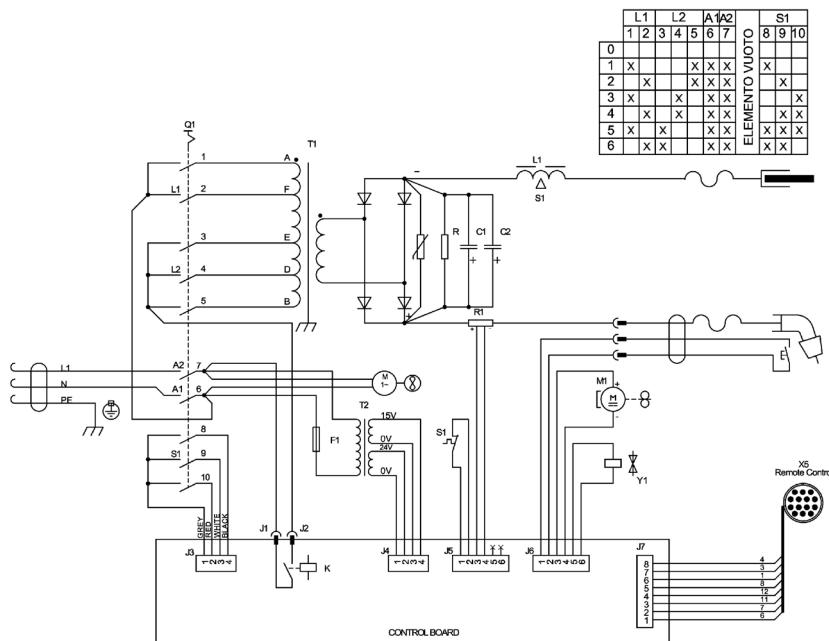


Parts Information:  
**Electronic MIG Welder 195Amp 230V**  
**Model No: ELECTROMIG195.V2**



Item	Part No.	Description
1	120/722007	Adaptor Nut For AC 305145
2	120/722013	Liner Positioner Nut For CA 305315
3	120/722305	TR-15 Swanneck
4	120/742170	Handle Without Switch (With Trigger)
5	120/722319	Spring For Nozzle TB15
6	120/722326	Head Insulator TR-15 Swanneck 305240
7	120/742172	Torch Holder
8	MIG956	Contact Tip 0.6mm TB15 Pack Of 5
	MIG957	Contact Tip 0.8mm TB15 Pack Of 5
	MIG921	Contact Tip 1mm Aluminium TB25/36 Pack Of 5
	120/722553	Contact Tip TR-25 M6-08-1.2a 100223

Item	Part No.	Description
	120/722556	Contact Tip TR-25 M6-08-0.8a 100217(Aluminium)
10	168.200105	Cylindrical Nozzle TB15 Single
	MIG955	Conical Nozzle TB15 Pack Of 3
11	168.301535	Blue Steel Liner, Dia 1,5/4,5mm Round
	120/722689	Liner,t, 1.0-1.2mm 3mt Steel
13	120/722441	Central Adaptor kz2 For 15/25/36 305300
14	120/742175	Gun Plug Housing
15	120/742171	Ring Nut
16	120/722325	Front Torch Part
17	120/722693	Plastic Body For Swanneck 305500
--	120/742174	Spring (NOT SHOWN)



**NOTE:** It is our policy to continually improve products and as such we reserve the right to alter data, specifications and component parts without prior notice.

**IMPORTANT:** No liability is accepted for incorrect use of product.

**WARRANTY:** Guarantee is 12 months from purchase date, proof of which will be required for any claim.

**Sealey Group**, Kempson Way, Suffolk Business Park, Bury St Edmunds, Suffolk. IP32 7AR



01284 757500



01284 703534



sales@sealey.co.uk



www.sealey.co.uk