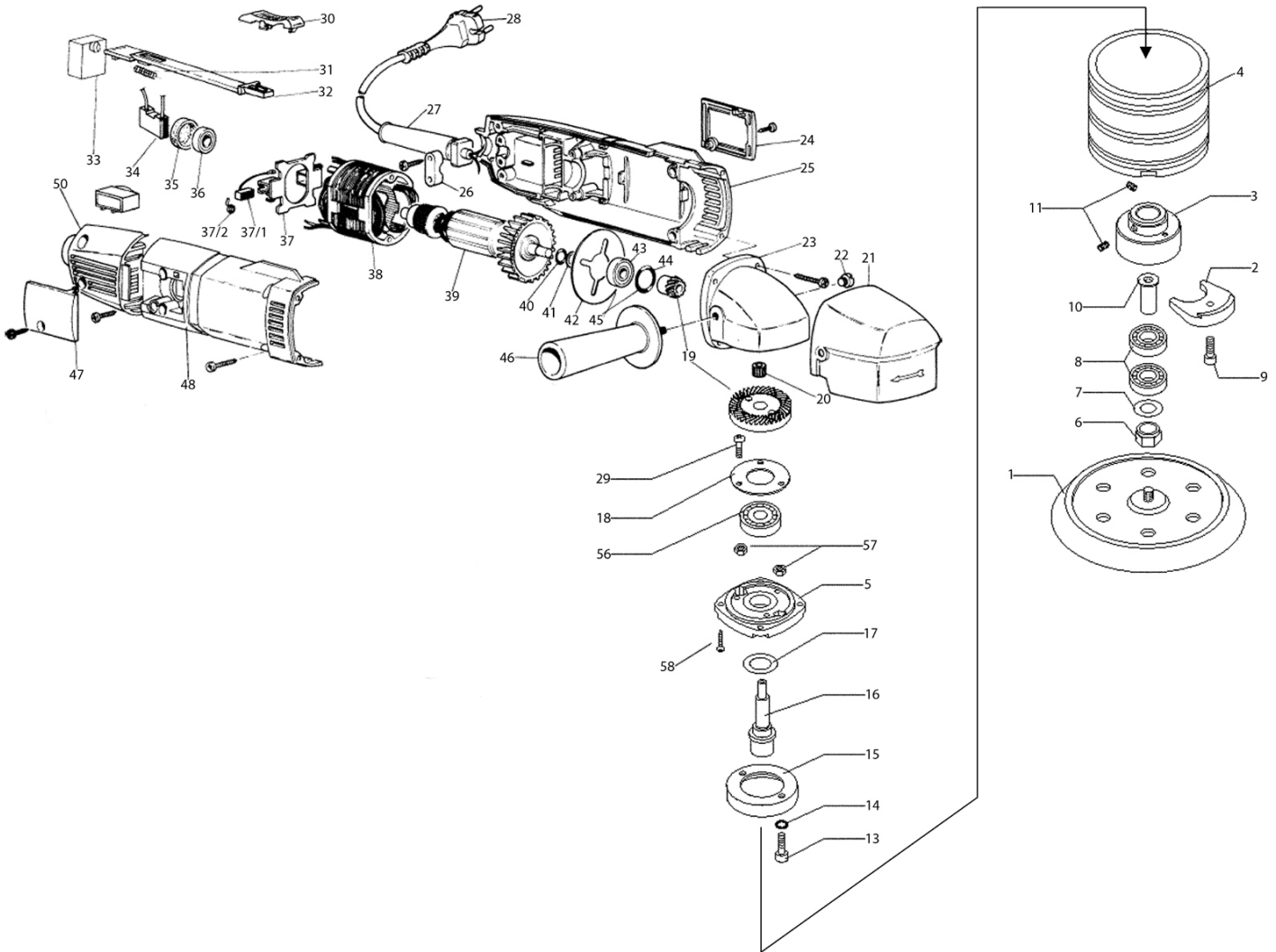




Parts Information:
Random Orbital Sander 150mm Dual
Action 230V
Model No: EDA150.V3



NOTE: It is our policy to continually improve products and as such we reserve the right to alter data, specifications and component parts without prior notice.

IMPORTANT: No liability is accepted for incorrect use of product.

WARRANTY: Guarantee is 12 months from purchase date, proof of which will be required for any claim.

Sealey Group, Kempson Way, Suffolk Business Park, Bury St Edmunds, Suffolk. IP32 7AR



01284 757500



01284 703534



sales@sealey.co.uk



www.sealey.co.uk



Parts Information:
**Random Orbital Sander 150mm Dual
Action 230V**
Model No: EDA150.V3

Item	Part No.	Description
1	PTC/150A	DA Backing Pad For Stick-On Discs Ø148mm 5/16"UNF Heavy-Duty
2	122/14.06.15	Counterbalance
3	122/32.03.13	Body, Eccentric
4	122/24.04.40	Protection,Rubber
5	122.12.04.06	Gear Box Housing Cover
6	122/32.01.24	Shaft, Eccentric Hexagonal
7	122/19.50.02	Dust Stop
8	B/6001-2RS	Bearing 6001-2RS
9	SCB515.SB	Socket Head Cap Screw M5x15 Black
10	122/32.01.13	Shaft, Eccentric
11	GSM68.S	Grub Screw M6x8 (Single)
13	122.11.03.12	Screw 4 x 20
14	122/13.01.11	Lock Washer
15	122.22.07.101	Protector
16	122.18.03.29	Drive Shaft
17	122.19.48.06	Dust Guard
18	122.19.48.15	Bearing Cover
19	122.16.50.09	Gear Set
20	B/HK0609	Needle Bearing HK0609
21	122.22.50.25	Protection Cover
22	122.11.10.10	Plastic Screw
23	122.10.04.49	Gearbox Housing
24	122.10.04.91	Left Brush Cover
25	122.10.04.94	Left Body
26	122.34.04.09	Cable Restraint
27	122.34.04.04	Cable Guard
28	MC2CX1.5	Mains Cable Blk, 2 Core, 1.5mm2

Item	Part No.	Description
29	122/11.09.12	RD Head S/T Screw M3.8 x 16 Black
30	122.34.06.89	Switch Key
31	122.25.03.49	Return Spring
32	122.34.06.80	Switch Lever
33	122.34.06.81	Switch
34	122.34.03.19	Capacitor (0.22uf)
35	122.34.08.06	Rubber Cover
36	B/607ZZ	Bearing 607ZZ
37	122.34.07.49	Brush Holder
37/1	122.34.07.57	Carbon Brush Single Fits eda150
37/2	122.25.03.48	Spring
38	122.35.02.49	Stator
39	122.50.01.49	Rotor
40	122.19.50.75	Seal Washer
41	122.17.01.24	O-Ring 109
42	122.19.50.23	Fan
43	122.20.02.26	Bearing 786
44	122.19.50.76	Distance Piece 26/0,10
45	122.19.50.77	Distance Piece 26/0,15
46	122.10.03.49	Side Handle
47	122.10.04.90	Right Brush Cover
48	122.10.04.93	Right Body
50	122.10.04.92	Back Cover
56	B/6000-2RS	Bearing 6000-2RS
57	122/29.01.10	Nut
58	122.11.03.08	Screw 4x12
--	122/19.50.79	Distance Piece F8 AS (NOT SHOWN)

NOTE: It is our policy to continually improve products and as such we reserve the right to alter data, specifications and component parts without prior notice.

IMPORTANT: No liability is accepted for incorrect use of product.

WARRANTY: Guarantee is 12 months from purchase date, proof of which will be required for any claim.

Sealey Group, Kempson Way, Suffolk Business Park, Bury St Edmunds, Suffolk. IP32 7AR



01284 757500



01284 703534



sales@sealey.co.uk



www.sealey.co.uk