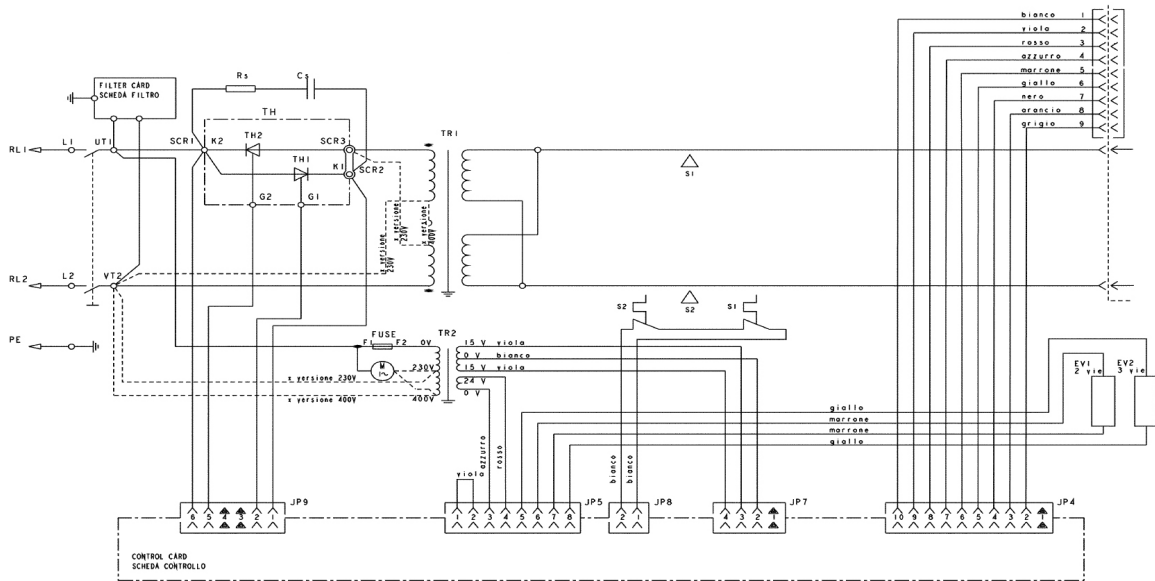
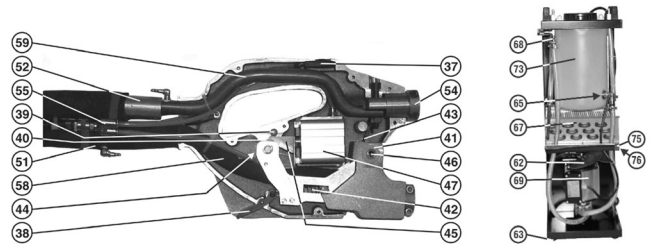
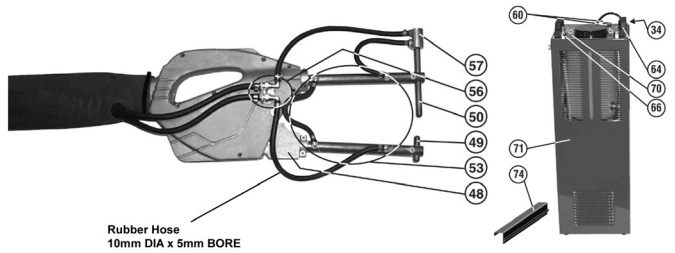
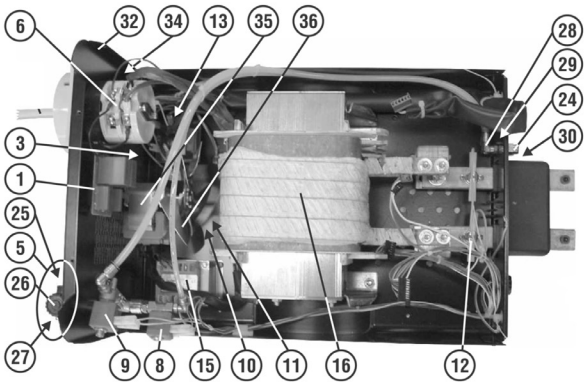




Parts Information:
Digital Spot Welder 7000Amp Water Cooled
Model No: E/SPOT9500.V2



NOTE: It is our policy to continually improve products and as such we reserve the right to alter data, specifications and component parts without prior notice.

IMPORTANT: No liability is accepted for incorrect use of product.

WARRANTY: Guarantee is 12 months from purchase date, proof of which will be required for any claim.

Sealey Group, Kempson Way, Suffolk Business Park, Bury St Edmunds, Suffolk. IP32 7AR



01284 757500



01284 703534



sales@sealey.co.uk



www.sealey.co.uk



Parts Information:
Digital Spot Welder 7000Amp Water Cooled
Model No: E/SPOT9500.V2

Item	Part No.	Description
1	120/112395	Filter Card
3	120.113770	SCR
4	120/120181	Cable
5	120/120036	Gas Regulator + Manometer
6	120/122531	Switch
8	120/122497	Electro-Valve 24V
9	120/122798	Electro Valve
10	120/122403	Fuse Holder (Glass Type Fuse - Clips In)
11	120.122875	Fuse 160ma 2x0.5
12	120/122859	Thermostat
13	120/114002	Card
15	120.990598	Auxiliary Transformer
16	120.169273	Transformer
17	120/990168	Control PCB
18	120/322481	Front Panel
19	120/322463	Handle
20	120/322469	Superior Connector Cover
21	120/322470	Inferior Connector Cover
22	120/690000	Upper Bar
23	120/690002	Lower Bar
24	120/602000	Straight Quick Connection
25	120.602326	Manometer
26	120/602071	Pressure Reducer
27	120/602086	Glass For Gas Regulator
28	120/602106	Quick Connection
29	120/602108	Quick Connection
30	120/602116	Quick Connection
31	120.644165	Bottom
32	120.648983	Back Panel
33	120.655231	Cover
34	120/990046	Bushing & Nut, Cable
35	120/152073	Motor, Fan
36	120/152054	Blade, Fan
37	120.120252	Cable
38	120/312021	Hook
39	120/242031	Parallel Pin
40	120/312033	Wheel Insulating Material
41	120/312034	Head Insulating Material
42	120/452026	Spring
43	120/452028	Spring
44	120/482771	Wheel 20x
45	120/482772	Wedge
46	120/482774	Pin

Item	Part No.	Description
47	120/602121	Cylinder
48	120/631010	Pneumatic Clamp Moveable Head
49	120/690050	Electrode Straight 50mm
50	120.690058	Straight Electrode l=130mm d.12mm r
51	120.713038	Cable 150mmq 1.8M & Elec Hldr
52	120.713037	Cable 150mmq 1.8M And Electrode Holder
53	120.803163	250mm Straight Arm Pair C/W Electrodes
54	120/990117	Kit Jaw
55	120.990175	Air Cooling Unit Kit
56	120.990169	Gra Bracket Kit
57	120.712049	Electrode Connection
58	120.713051	Cable 150mmq 0.35m And Electrode Holder
59	120.690059	Tube
60	120.122353	Switch Cover
60	120/122381	Switch, Green Rocker
62	120.152217	Fan Blade
63	120/323001	Foot, Rubber
64	120/322267	Handle
65	120/322268	Filter
66	120/602033	Connector
67	120/602038	Radiator
68	120/602051	Fitting, Pipe
69	120/990382	Electro Pump
70	120.649339	Front Panel
71	120.655233	Cover
73	120/990363	Tank, Complete
74	120/644401	Bracket
75	120/122159	Fuse Holder (Glass Type Fuse)
76	120.121177	Fuse -
--	120.802604	Stud Welder Kit (NOT SHOWN)
--	120.803164	500/250mm Profiled Arm Pair C/W Electrodes W/C (NOT SHOWN)
--	120.803165	350/250mm Straight Arm Pair C/W Electrodes W/C (NOT SHOWN)
--	120/801041	Manual C-Pincer Spot Weld Gun (NOT SHOWN)
--	120/990115	Dinse Plug Adaptor (Set Of Two) (NOT SHOWN)
--	120.645286	Wheel Support Bracket (NOT SHOWN)
--	120.645067	Bottom Shelf (NOT SHOWN)
--	120.143136	Castor Ass'y (NOT SHOWN)
--	120.482739	Axle Support (NOT SHOWN)
--	120.990004	Protective Sleeve (NOT SHOWN)
--	120.110003	Outer Water Pipes (NOT SHOWN)

NOTE: It is our policy to continually improve products and as such we reserve the right to alter data, specifications and component parts without prior notice.

IMPORTANT: No liability is accepted for incorrect use of product.

WARRANTY: Guarantee is 12 months from purchase date, proof of which will be required for any claim.

Sealey Group, Kempson Way, Suffolk Business Park, Bury St Edmunds, Suffolk. IP32 7AR



01284 757500



01284 703534



sales@sealey.co.uk



www.sealey.co.uk