

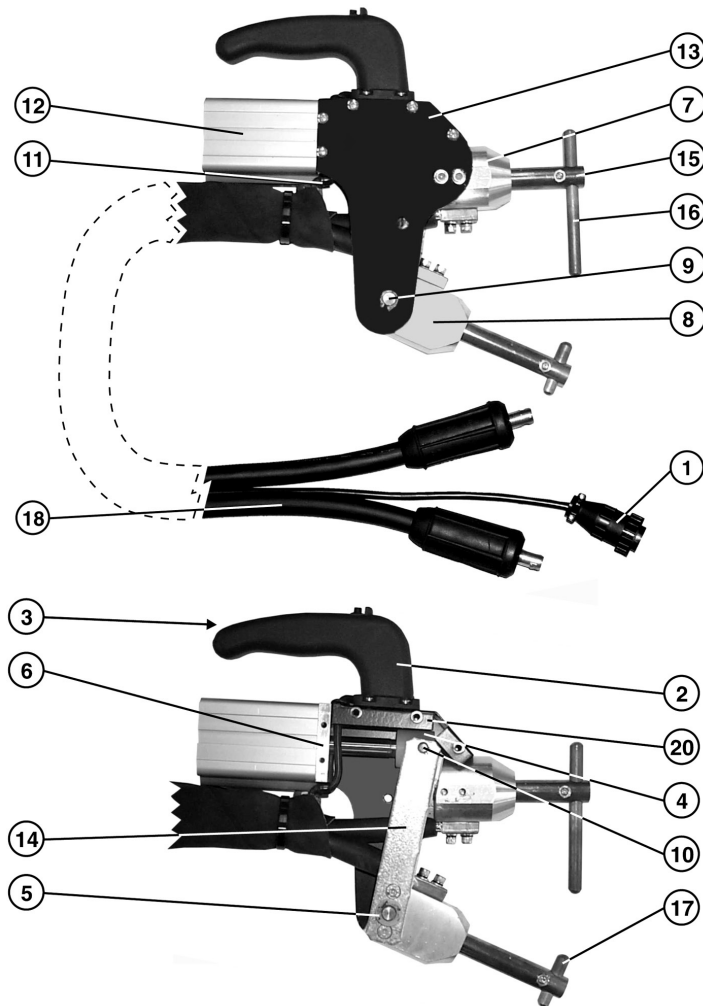
Item	Part No.	Description
1	120/112395	Filter Card
2	120.113770	SCR
3	120/114002	Card
4	120/120036	Gas Regulator + Manometer
5	120/122403	Fuse Holder (Glass Type Fuse - Clips In)
6	120/122497	Electro-Valve 24V
7	120/122531	Switch
8	120/122798	Electro Valve
9	120.122875	Fuse 160MA 2x0.5
10	120/122859	Thermostat
11	120/132299	Mains Cable
12	120.990598	Auxiliary Transformer
13	120.169209	Transformer 400V
14	120.980439	Front Panel + Card Set
15	120/322472	Front Panel
16	120.649338	Bottom

Item	Part No.	Description
17	120.655232	Cover
18	120/712037	Dinse Socket
19	120.602326	Manometer
20	120/602071	Pressure Reducer
21	120/602086	Glass For Gas Regulator
22	120/990046	Bushing & Nut, Cable
23	120/602116	Quick Connection
24	120/602000	Straight Quick Connection
25	120.120227	Cable
26	120.990398	Kit Handle
--	120/801045	Pneumatic Double Sided Spot Welder (NOT SHOWN)
--	120/801048	Spot Weld Gun (NOT SHOWN)
--	120.802604	Stud Welder Kit For E/Spot Range (NOT SHOWN)
--	120/801041	Manual C-Pincer Spot Weld Gun (NOT SHOWN)

NOTE: It is our policy to continually improve products and as such we reserve the right to alter data, specifications and component parts without prior notice.

IMPORTANT: No liability is accepted for incorrect use of product.

WARRANTY: Guarantee is 12 months from purchase date, proof of which will be required for any claim.



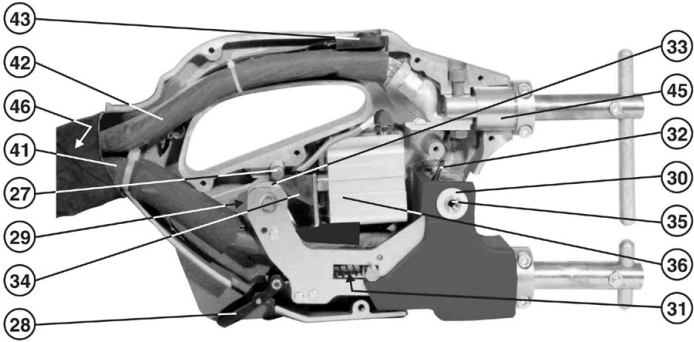
Item	Part No.	Description
1	120.120558	Switch Cable
2	120.322576	Knob For Clamp, Right
3	120.322577	Knob For Clamp, Left
4	120.322578	Coupling
5	120.322579	Bush
6	120.432381	Spacer
7	120.432382	Fixed Electrode Holder
8	120.432383	Mobile Electrode Holder
9	120.483220	Pin
10	120.483221	Pin

Item	Part No.	Description
11	120.483278	Block Cable
12	120.602157	Cylinder D.50
13	120.644913	Plate
14	120.483222	Lever
15	120/690005	Electrode Holder Arm L=120mm
16	120/690047	Electrode Straight 130mm
17	120/690050	Electrode Straight 50mm
18	120.713066	Clamp Cable
--	120/803151	Spot Welding Arms 130mm Plain Electrode Holder (NOT SHOWN)
20	120.990771	Handle Holder

NOTE: It is our policy to continually improve products and as such we reserve the right to alter data, specifications and component parts without prior notice.

IMPORTANT: No liability is accepted for incorrect use of product.

WARRANTY: Guarantee is 12 months from purchase date, proof of which will be required for any claim.



Item	Part No.	Description
27	120/242031	Parallel Pin
28	120/312021	Hook
29	120/312033	Wheel Insulating Material
30	120/312034	Head Insulating Material
31	120/452026	Spring
32	120/452028	Spring
33	120/482771	Wheel 20x
34	120/482772	Wedge
35	120/482774	Pin
36	120/602121	Cylinder

Item	Part No.	Description
37	120/631010	Pneumatic Clamp Moveable Head
38	120/690005	Electrode Holder Arm L=120mm
39	120/690047	Electrode Straight 130mm
40	120/690050	Electrode Straight 50mm
41	120.713054	Cable 120MMQ 2M And Electrode Holder
42	120.713056	Cable 120MMQ 2M And Electrode Holder
43	120/120111	Switch Cable
44	120/803151	Spot Welding Arms 130mm Plain Electrode Holder
45	120/990117	Kit Jaw
46	120/990129	Cooling System Kit

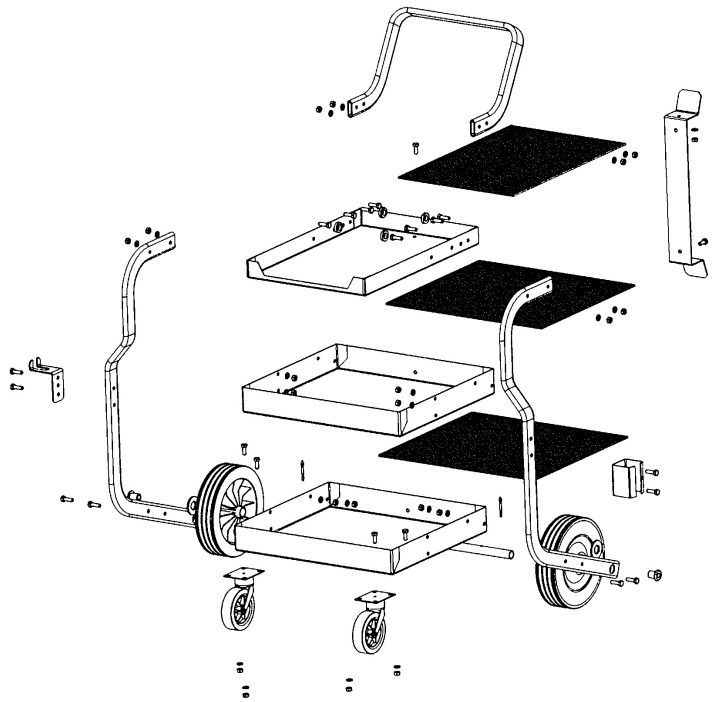
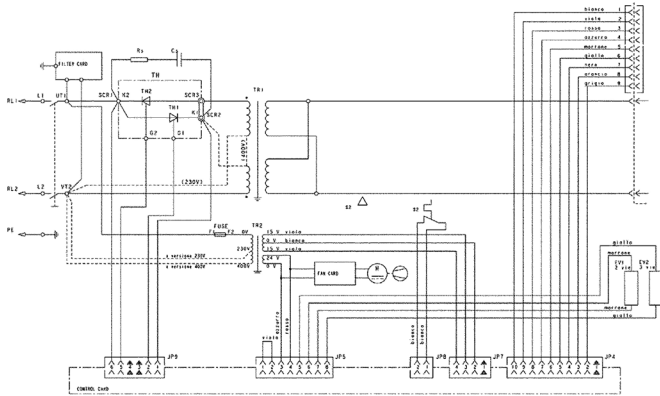
NOTE: It is our policy to continually improve products and as such we reserve the right to alter data, specifications and component parts without prior notice.

IMPORTANT: No liability is accepted for incorrect use of product.

WARRANTY: Guarantee is 12 months from purchase date, proof of which will be required for any claim.



Parts Information:
Digital Spot Welder 4500Amp
Model No: E/SPOT8000



NOTE: It is our policy to continually improve products and as such we reserve the right to alter data, specifications and component parts without prior notice.

IMPORTANT: No liability is accepted for incorrect use of product.

WARRANTY: Guarantee is 12 months from purchase date, proof of which will be required for any claim.

Sealey Group, Kempson Way, Suffolk Business Park, Bury St Edmunds, Suffolk. IP32 7AR



01284 757500



01284 703534



sales@sealey.co.uk



www.sealey.co.uk