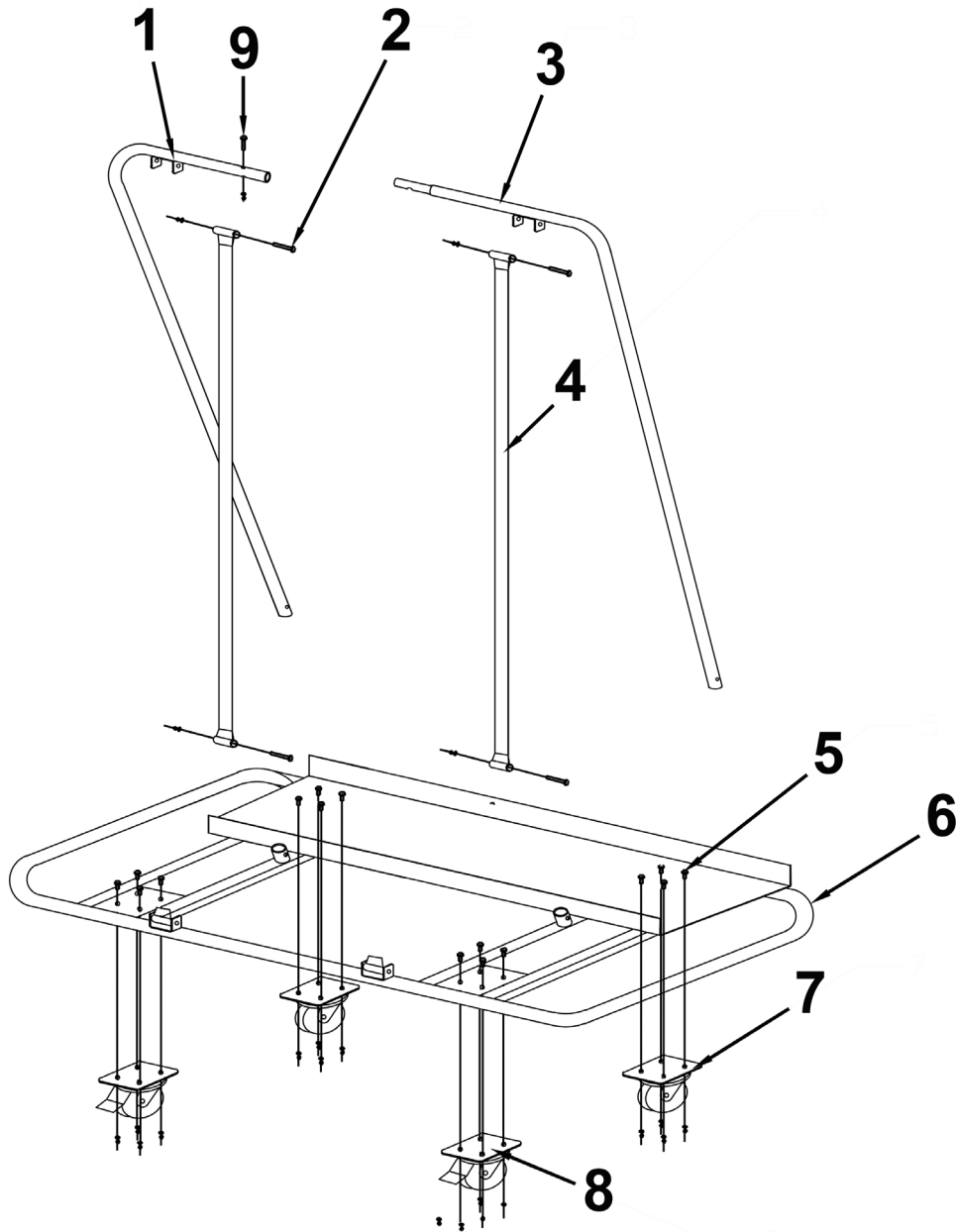




Parts Information:  
**Plasterboard Trolley Large Sheet Handling**  
**800kg**  
**Model No: DWC01**



Item	Part No.	Description	Qty
1	DWC01-01	Handle, Left Side	1
2	DWC01-02	Hex Head Set Screw M12 x 60	4
--	FWM12.S	Flat Washer M12 Zinc (Not Shown)	4
--	NLN12.S	Nyloc Nut M12 Zinc (Not Shown)	4
3	DWC01-03	Handle, Right Side	1
4	DWC01-04	Upright for Handles/Trolley Bed	2
5	SS835.S	Hex Head Set Screw M8 X 35 Zinc	16
--	FWM8.S	Flat Washer M8 Zinc (Not Shown)	16

Item	Part No.	Description	Qty
--	NLN8.S	Nyloc Nut M8 Zinc (Not Shown)	16
6	DWC01-06	Trolley Bed	1
7	DWC01-07	Rigid Castor Wheel	2
8	DWC01-08	Swivel Castor Wheel (w/Brake)	2
9	DWC01-09	Hex Head Set Screw M12 x 40	1
--	FWM12.S	Flat Washer M12 Zinc (Not Shown)	1
--	NLN12.S	Nyloc Nut M12 Zinc (Not Shown)	1

**NOTE:** It is our policy to continually improve products and as such we reserve the right to alter data, specifications and component parts without prior notice. There may be alternative versions of this product, please contact us should you require this information.

**IMPORTANT:** No liability is accepted for incorrect use of product. Spare parts must be fitted by a competent person

**WARRANTY:** Guarantee is 12 months from purchase date, proof of which will be required for any claim.

Sealey Group, Kempson Way, Suffolk Business Park, Bury St Edmunds, Suffolk. IP32 7AR



01284 757500



sales@sealey.co.uk



www.sealey.co.uk