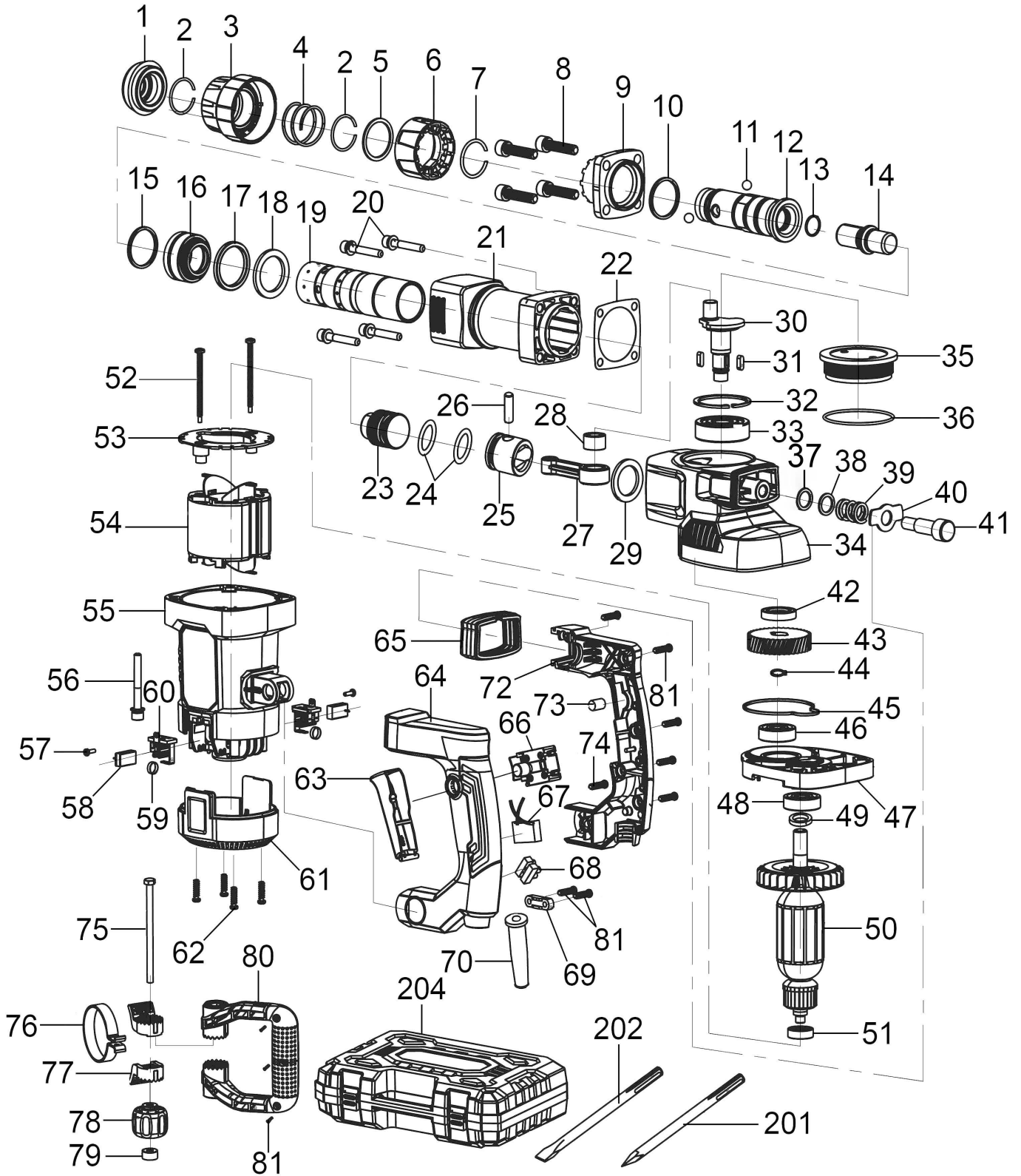




Parts Information:
**Demolition Breaker Hammer SDS MAX
1300W/230V
Model No: DHB1300**



NOTE: It is our policy to continually improve products and as such we reserve the right to alter data, specifications and component parts without prior notice. There may be alternative versions of this product, please contact us should you require this information.

IMPORTANT: No liability is accepted for incorrect use of product. Spare parts must be fitted by a competent person

WARRANTY: Guarantee is 12 months from purchase date, proof of which will be required for any claim.

Sealey Group, Kempson Way, Suffolk Business Park, Bury St Edmunds, Suffolk. IP32 7AR



01284 757500



sales@sealey.co.uk



www.sealey.co.uk



Parts Information:
**Demolition Breaker Hammer SDS MAX
1300W/230V
Model No: DHB1300**

Item	Part No.	Description
1	SDSMAX40.01	Front Cover
2	DHB1300.02	C-Ring 27 x 2mm
3	DHB1300.03	Steel Ball Rack
4	DHB1300.04	Steel Ball Rack Spring Ø45.5mm
5	DHB1300.05	Washer (30.2 x 36 x 1.5mm)
6	DHB1300.06	Lock Sleeve
7	DHB1300.07	C-Ring 28 x 2.5mm
8	DHB1300.08	Screw (c/w Spring Washer)
9	DHB1300.09	Flange Plate
10	DHB1300.10	O-Ring, Grey (31.86 x 28.30 x 1.78mm)
11	SB-8.0	Steel Ball 8mm
12	DHB1300.12	Rotary Sleeve
13	DHB1300.13	O-Ring, Grey (24.10 x 18 x 3.05mm)
14	DHB1300.14	Impact Hammer
15	DHB1300.15	O-Ring, Grey (41.38 x 37.82 x 1.78mm)
16	DHB1300.16	Cylinder Sleeve
17	DHB1300.17	Rubber Washer
18	DHB1300.18	Plate
19	DHB1300.19	Cylinder
20	SCB640.SB	Socket Cap Bolt M6 x 40mm Black
21	DHB1300.21	Housing
22	DHB1300.22	Gasket
23	DHB1300.23	Front Impact
24	DHB1300.24	O-Ring, Grey (30.46 x 23.40 x 3.53mm)
25	DHB1300.25	Cylinder Hammer
26	DHB1300.26	Piston Pin
27	DHB1300.27	Connecting Rod
28	B/HK1212	Needle Bearing HK1212
29	DHB1300.29	Washer (30.8 x 45 x 2mm)
30	DHB1300.30	Work Spindle
31	DHB1300.31	Woodruff Key (4 x 4 x 12mm)
32	DHB1300.32	C-Ring
33	B.6303-2RS	Bearing 6303-2RS
34	DHB1300.34	Oil Seal
35	DHB1300.35	Oil Seal Cover
36	SA6007.21	O-Ring (57.26 x 53.70 x 1.78mm)
37	SWM10.S	Spring Washer M10
38	DHB1300.38	Flat Washer 17.5 x 10.3mm
39	DHB1300.39	Anti-Vibration Spring Ø16.6mm
40	SDSPLUS32.53	Damping Plate
41	DHB1300.41	Anti-Vibration Screw
42	DHB1300.42	Oil Seal

Item	Part No.	Description
43	DHB1300.43	Gear
44	DHB1300.44	C-Ring
45	DHB1300.45	Middle Cover Sealing Washer
46	B/6001-2RS	Bearing 6001-2RS
47	DHB1300.47	Middle Cover
48	B/6201-2RS	Bearing 6201-2RS
49	DHB1300.49	Oil Seal
50	DHB1300.50	Rotor
51	B/608-2RS	Bearing 608-2RS
52	DHB1300.52	Screw, Air Flow Outlet
53	DHB1300.53	Air Flow Outlet
54	DHB1300.54	Stator
55	DHB1300.55	Housing
56	DHB1300.56	Screw (c/w Spring & Washer)
57	DHB1300.57	Brush Holder Screw
58	DHB1300.58	Carbon Brush
59	DHB1300.59	Spring, Carbon Brush
60	DHB1300.60	Brush Holder
61	DHB1300.61	Back Cover
62	DHB1300.62	Screw, Back Cover
63	DHB1300.63	Dustproof Switch Cover
64	DHB1300.64	Handle, Left Side
65	DHB1300.65	Anti-Vibration Rubber Cover
66	DHB1300.66	Switch
67	DHB1300.67	Capacitor 0.33µf
68	DHB1300.68	Terminal Block
69	DHB1300.69	Cable Grip
70	DHB1300.70	Cable Sleeve
72	DHB1300.72	Handle, Right Side
73	DHB1300.73	Rubber Stop
74	DHB1300.74	Handle Screw
75	DHB1300.75	Screw, Auxiliary Handle Clamp Block
76	DHB1300.76	Side Handle Holder
77	DHB1300.77	Auxiliary Handle Clamp Block
78	DHB1600.S-108	Knob, Handle Ø45mm, 8mm Female Fitting
79	SN8.SB	Steel Nut M8, Black
80	DHB1300.80	Auxiliary Handle
81	DHB1300.81	Screw, Auxiliary Handle
201	DHB1300.201	Point Chisel 18 x 280mm
202	DHB1300.202	Cold Chisel 18 x 280mm
204	DHB1300.204	Plastic Storage Case
--	DHB1300.203	Spanner (Not Shown)

NOTE: It is our policy to continually improve products and as such we reserve the right to alter data, specifications and component parts without prior notice. There may be alternative versions of this product, please contact us should you require this information.

IMPORTANT: No liability is accepted for incorrect use of product. Spare parts must be fitted by a competent person

WARRANTY: Guarantee is 12 months from purchase date, proof of which will be required for any claim.

Sealey Group, Kempson Way, Suffolk Business Park, Bury St Edmunds, Suffolk. IP32 7AR



01284 757500



sales@sealey.co.uk



www.sealey.co.uk