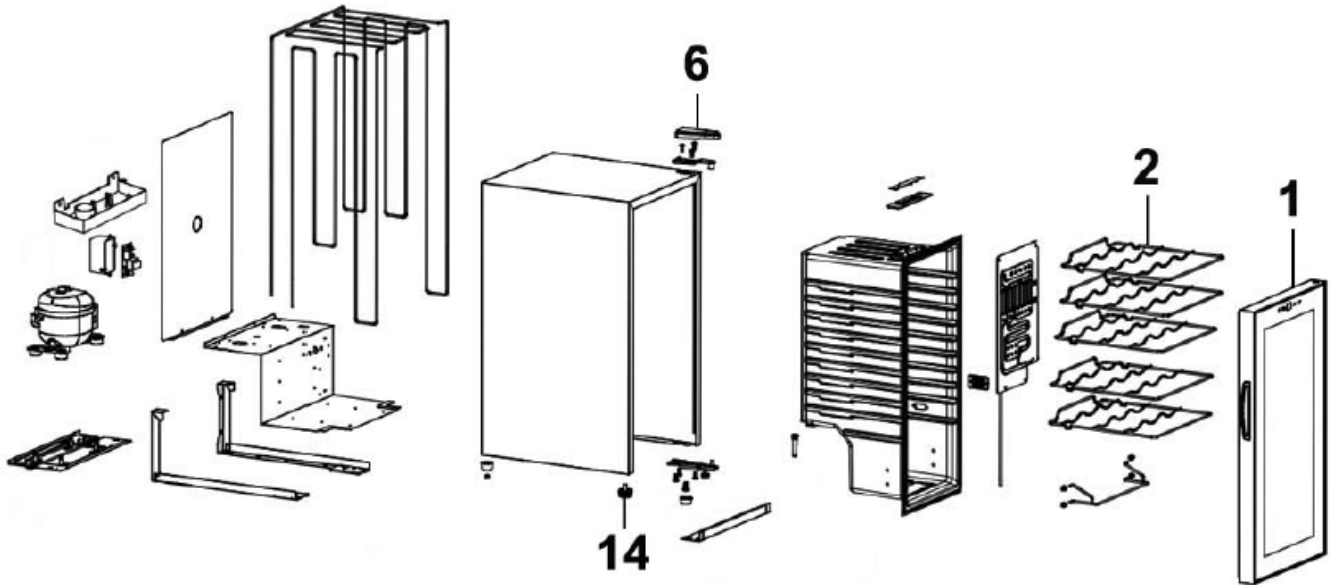


Parts Information:  
**Baridi Wine Cooler/Fridge, Digital Touch  
 Screen Controls, LED Light, Energy Class  
 A, 15 Bottle - Black  
 Model No: DH5**



Item	Part No.	Description
1	DH10060	Glass Door
2	DH10062	Chrome Shelf

Item	Part No.	Description
6	DH10018	Hinged Cover
14	DH10014	Adjustable Foot

**NOTE:** It is our policy to continually improve products and as such we reserve the right to alter data, specifications and component parts without prior notice.

**IMPORTANT:** No liability is accepted for incorrect use of product. Spare parts must be fitted by a competent person

**WARRANTY:** Guarantee is 12 months from purchase date, proof of which will be required for any claim.

**Dellonda Limited, Sole UK Distributor of Baridi**

Kempson Way, Suffolk Business Park, Bury St Edmunds, Suffolk. IP32 7AR

☎ 01284 757575    ✉ support@dellonda.co.uk    🌐 www.dellonda.co.uk